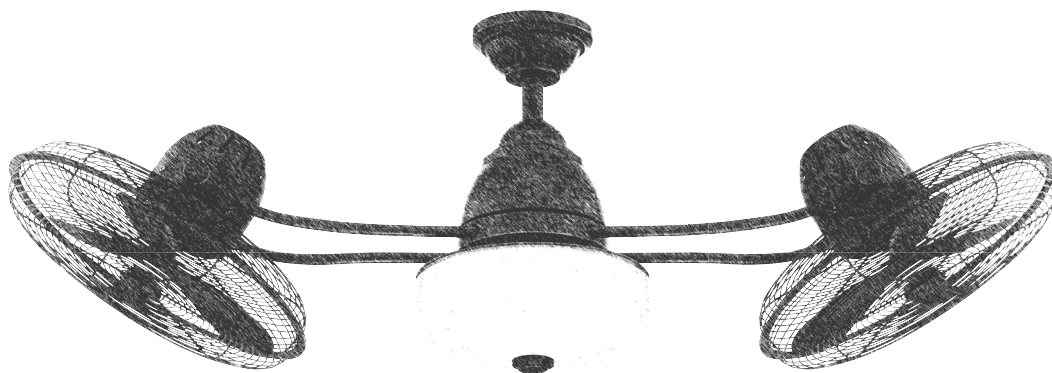


# CRAFTMADE™

READ THESE INSTRUCTIONS AND  
SAVE THEM FOR FUTURE USE



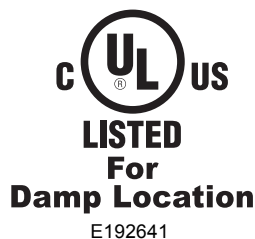
## Bellows II

# Installation Guide

For Model:  
**BW248**

### Table of Contents:

Safety Tips. pg. 1  
Unpacking Your Fan. pg. 2  
Parts Inventory. pg. 2  
Installation Preparation. pg. 3  
Hanging Bracket Installation. pg. 3  
Fan Assembly. pgs. 4 - 5  
Wiring. pgs. 5 - 6  
Canopy Assembly. pg. 6  
Light Kit Assembly (Optional). pg. 7  
Alternate Final Assembly, Without Light Kit. pg. 8  
Assembly of Handheld Remote Control. pgs. 8 - 9  
Automated Learning Process./  
    Activating Code. pg. 9  
Remote Control Operation. pg. 10  
Testing Your Fan. pg. 10  
Troubleshooting. pg. 11  
Warranty. pg. 11  
Parts Replacement. pg. 11



net weight of fan: 27.58 lb (12.51 kg)

PRINTED IN CHINA

# SAFETY TIPS.

**WARNING:** To reduce the risk of electrical shock, turn off the electricity to the fan at the main fuse box or circuit panel before you begin the fan installation or before servicing the fan or installing accessories.

1. **READ ALL INSTRUCTIONS AND SAFETY INFORMATION CAREFULLY BEFORE INSTALLING YOUR FAN AND SAVE THESE INSTRUCTIONS.**

**CAUTION:** To avoid personal injury, the use of gloves may be necessary while handling fan parts with sharp edges.

2. Make sure all electrical connections comply with Local Codes or Ordinances, the National Electrical Code, and ANSI/NFPA 70-1999. If you are unfamiliar with electrical wiring or if the house/building wires are different colors than those referred to in the instructions, please use a qualified electrician.
3. Make sure you have a location selected for your fan that allows clear space for the blades to rotate, and at least ten (10) feet (3.05 meters) of clearance between the floor and the fan blade tips. The fan should be mounted so that the tips of the blades are at least thirty (30) inches (76 centimeters) from walls or other upright structures.
4. The outlet box and ceiling support joist used must be securely mounted, and capable of supporting at least 35 pounds (16 kilograms). The outlet box must be supported directly by the building structure. Use only CUL (Canada) or UL (USA) listed outlet boxes marked "FOR FAN SUPPORT."

**WARNING:** To reduce the risk of fire, electrical shock, or personal injury, mount to the outlet box marked "Acceptable for Fan Support of 15.9 kg (35 lbs.) or less," and use the mounting screws provided with the outlet box. Most outlet boxes commonly used for the support of lighting fixtures are not acceptable for fan support and may need to be replaced. Consult a qualified electrician if in doubt.

**WARNING:** To reduce the risk of fire, electrical shock, or personal injury, wire connectors provided with this fan are designed to accept only one 12 gauge house wire and two lead wires from the fan. If your house wire is larger than 12 gauge or there is more than one house wire to connect to the corresponding fan lead wires, consult an electrician for the proper size wire connectors to use.

5. Electrical diagrams are for reference only.
6. After installation is complete, check that all connections are absolutely secure.
7. After making electrical connections, spliced conductors should be turned upward and pushed carefully up into the outlet box. The wires should be spread apart with the grounded conductor and the equipment-grounding conductor on opposite sides of the outlet box.

**WARNING:** To reduce the risk of electrical shock or fire, do not use this fan with any solid state speed control device or control fan speed with a full range dimmer switch. [Using a full range dimmer switch to control fan speed will cause a loud humming noise from fan.]

8. Do not insert anything between the fan blades while they are rotating.

**WARNING:** To reduce the risk of personal injury, do not bend the blade arms during assembly or after installation. Do not insert objects into the path of the blades.

**WARNING:** To avoid personal injury or damage to the fan and other items, be cautious when working around or cleaning the fan.

9. Do not use water or detergents when cleaning the fan or fan blades. A dry dust cloth or lightly dampened cloth will be suitable for most cleaning.

**WARNING:** To reduce the risk of personal injury, use **only** parts provided with this fan. **The use of parts OTHER than those provided with this fan will void the warranty.**

**WARNING:** This fan **MUST** be installed with the safety cable provided with the fan. Failure to use the safety cable provided may result in personal injury, damage to the fan or damage to other property.

**NOTE:** This equipment has been tested and found to comply with the limits for a Class B digital device, pursuant to Part 15 of the FCC Rules. These limits are designed to provide reasonable protection against harmful interference in a residential installation. This equipment generates, uses and can radiate radio frequency energy and, if not installed and used in accordance with the instructions, may cause harmful interference to radio communications. However, there is no guarantee that interference will not occur in a particular installation. If this equipment does cause harmful interference to radio or television reception, which can be determined by turning the equipment off and on, the user is encouraged to try to correct the interference by one or more of the following measures:

- \* Reorient or relocate the receiving antenna.
- \* Increase the separation between the equipment and receiver.
- \* Connect the equipment into an outlet on a circuit different from that to which the receiver is connected.

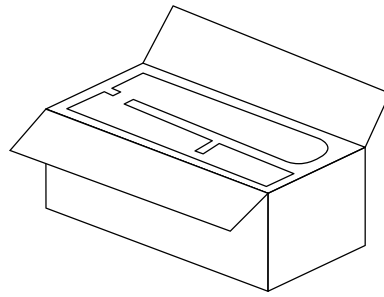
Consult the dealer or an experienced radio/TV technician for help.

**NOTE:** The important safety precautions and instructions appearing in the manual are not meant to cover all possible conditions and situations that may occur. It must be understood that common sense and caution are necessary factors in the installation and operation of this fan.

# 1. Unpacking Your Fan.

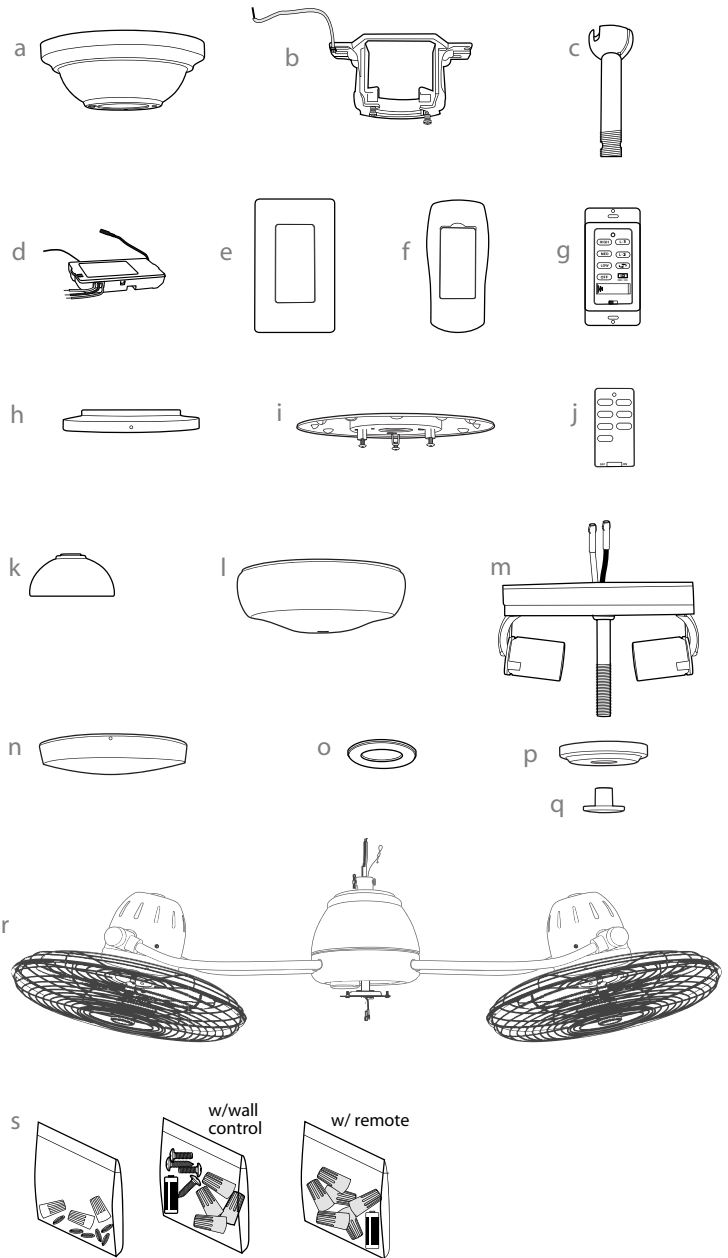
Carefully open the packaging. Remove items from Styrofoam inserts. Remove motor assembly and place on carpet or Styrofoam to avoid damage to finish. Do not discard fan carton or Styrofoam inserts should this fan need to be returned for repairs.

Check against parts inventory that all parts have been included.



# 2. Parts Inventory.

- a.** canopy. 1 piece
- b.** hanging bracket. 1 piece
- c.** downrod and hanging ball. 1 piece
- d.** remote control receiver. 1 piece
- e.** wall plate. 1 piece
- f.** remote control cover. 1 piece
- g.** wall control. 2 pieces
- h.** small fitter plate (for use *without* light kit). 1 piece
- i.** large fitter plate (for use *with* light kit). 1 piece
- j.** faceplate. 3 pieces
- k.** yoke cover. 1 piece
- l.** glass shade. 1 piece
- m.** light kit fitter. 1 piece
- n.** metal cover. 1 piece
- o.** canopy cover (in hardware pack). 1 piece
- p.** finial plate (pre-attached to light kit fitter). 1 piece
- q.** finial (pre-attached to light kit fitter). 1 piece
- r.** motor assembly. 1 piece
- s.** hardware packs



**IMPORTANT REMINDER:** You must use the parts provided with this fan for proper installation and safety.

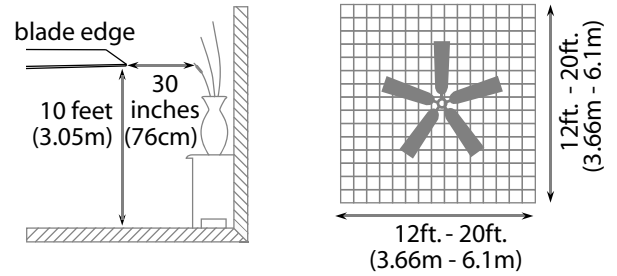
**required bulbs:**

2 x 9 watt medium base LED bulbs (included)



### 3. Installation Preparation.

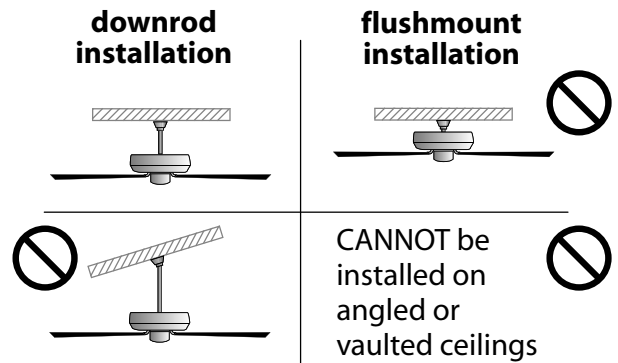
To prevent personal injury and damage, ensure that the hanging location allows the blades a clearance of 10 feet (3.05m) from the floor and 30in. (76 cm) from any wall or obstruction. This fan is suitable for room sizes up to 400 square feet (37.2 square meters).



This fan can be mounted with a **downrod** on a regular (no-slope) ceiling **only**. Fan **CANNOT** mount as a flushmount installation *nor* on a vaulted ceiling.

**Installation requires these tools:**

Phillips screwdriver, flathead screwdriver, adjustable pliers or wrench, stepladder, wire cutters, and rated electrical tape



### 4. Hanging Bracket Installation.

Turn off circuit breakers to current fixture from breaker panel and be sure operating light switch is turned to the OFF position.

**WARNING:** Failure to disconnect power supply prior to installation may result in serious injury.

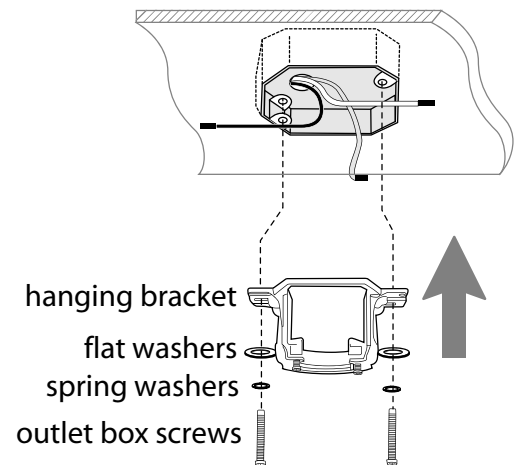
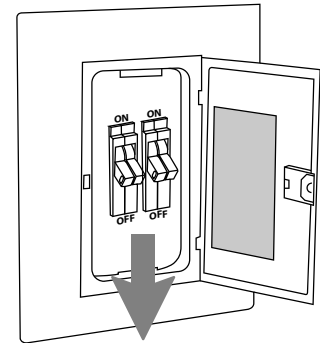
Remove existing fixture.

**WARNING:** When using an existing outlet box, be sure the outlet box is securely attached to the building structure and can support the full weight of the fan. Ensure outlet box is clearly marked "Suitable for Fan Support." If not, it must be replaced with an approved outlet box. Failure to do so can result in serious injury.

**CAUTION:** Be sure outlet box is grounded properly and that a ground wire (**GREEN** or bare) is present.

Install hanging bracket to outlet box using original screws, spring washers and flat washers provided with new or original outlet box.\* Arrange electrical wiring around the back of the hanging bracket and away from the hanging bracket opening.

**\*Note:** It is very important that you use the proper hardware when installing the hanging bracket as this will support the fan.



## 5. Fan Assembly.

Remove hanging ball from downrod provided by loosening set screw on hanging ball. Lower hanging ball and remove stop pin and then slide hanging ball off of the downrod. [Refer to **diagram 1**.]

Loosen yoke set screws and nuts at top of motor assembly. Remove pin and clip from motor assembly yoke. [Refer to **diagram 2**.]

**Tip:** To prepare for threading electrical wires through downrod, apply a small piece of electrical tape to the ends of the electrical wires--this will keep the wires together when threading them through the downrod. [Refer to **diagram 2**.]

Determine the length of downrod you wish to use. Thread safety cable and electrical wires through threaded end of downrod and pull extra wire slack from the upper end of the downrod. [Refer to **diagram 2**.]

Thread downrod into the motor assembly yoke until holes for pin and clip in downrod align with holes in yoke--*make sure wires do not get twisted*. Re-insert pin and clip that were previously removed. Tighten yoke set screws and nuts securely. [Refer to **diagram 2**.]

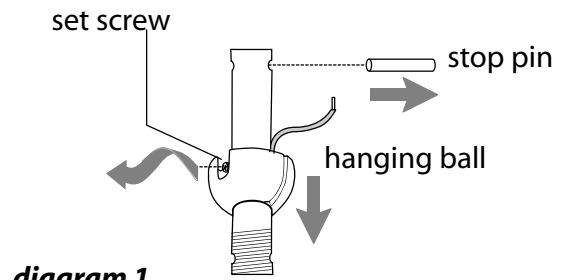
Locate canopy cover in a hardware pack. Slide yoke cover, canopy cover and canopy over downrod. [Refer to **diagram 3**.] (**Note:** Canopy cover must be turned with shiny side toward motor assembly.)

Thread safety cable and wires through hanging ball; then slide hanging ball over downrod--the top of the downrod should be noted as having a set screw hole; use this hole when setting the set screw. Insert stop pin into top of downrod and raise hanging ball. Be sure stop pin aligns with slots on the inside of the hanging ball. Tighten set screw securely. [Refer to **diagram 4**.]

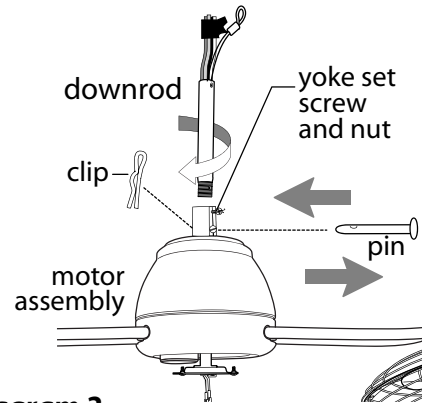
**WARNING:** Failure to tighten set screw (on hanging ball) completely could result in the fan becoming loose and possibly falling.

**["Fan Assembly" continued on next page.]**

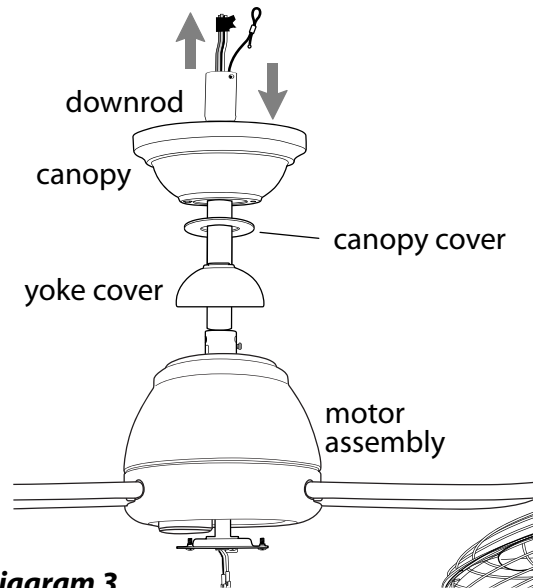
**NOTE:** The important safety precautions and instructions appearing in the manual are not meant to cover all possible conditions and situations that may occur. It must be understood that common sense and caution are necessary factors in the installation and operation of this fan.



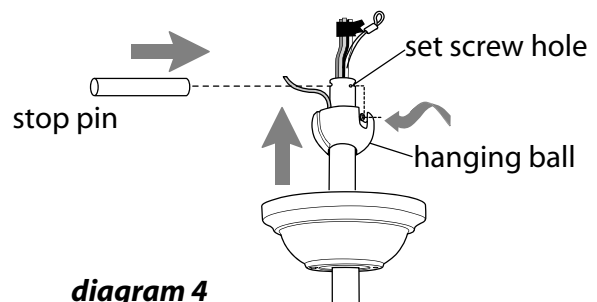
**diagram 1**



**diagram 2**



**diagram 3**



**diagram 4**

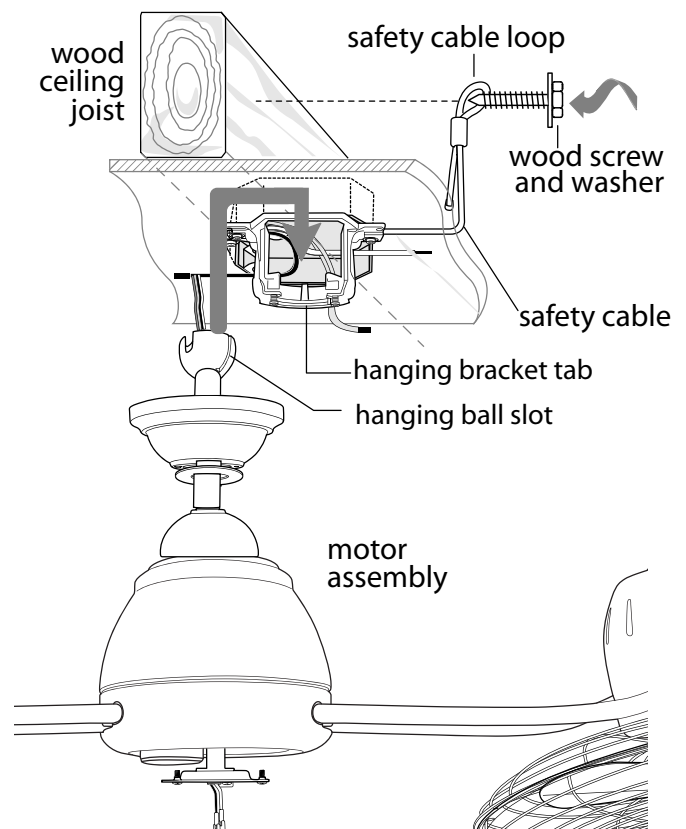
## 5. Fan Assembly. (cont.)

With the hanging bracket secured to the outlet box and able to support the fan, you are now ready to hang your fan. Grab the fan firmly with two hands. Slide downrod through opening in hanging bracket and let hanging ball rest on the hanging bracket. Turn the hanging ball slot until it lines up with the hanging bracket tab.

**WARNING:** Failure to align slot in hanging ball with tab in hanging bracket may result in serious injury or death.

**CAUTION:** Due to the size (width) of this fan, it is advisable to seek the help of another person to hold the stepladder in place and to then help lift the fan up to you once you are set on the ladder.

Find a secure attachment point (wood ceiling joist highly recommended) and secure safety cable. It will be necessary to use a heavy duty wood screw, washer and lock washer (not supplied) with the safety cable loop. If necessary, adjust the loop at the end of the safety cable. The loop at the end of the safety cable should just fit over the threads on the wood screw. *Test safety cable by pulling on loose end with pliers. If the safety cable slips, the loop must be adjusted tighter.* Extra cable slack can be left in ceiling area.



## 6. Wiring.

**CAUTION:** Be sure outlet box is properly grounded and that a ground wire (**GREEN** or Bare) is present.

Make sure all electrical connections comply with Local Codes or Ordinances and the National Electrical Code (or Canadian Electrical Code). If you are unfamiliar with electrical wiring or if the house/building wires are different colors than those referred to in the diagram to the right, please use a qualified electrician.

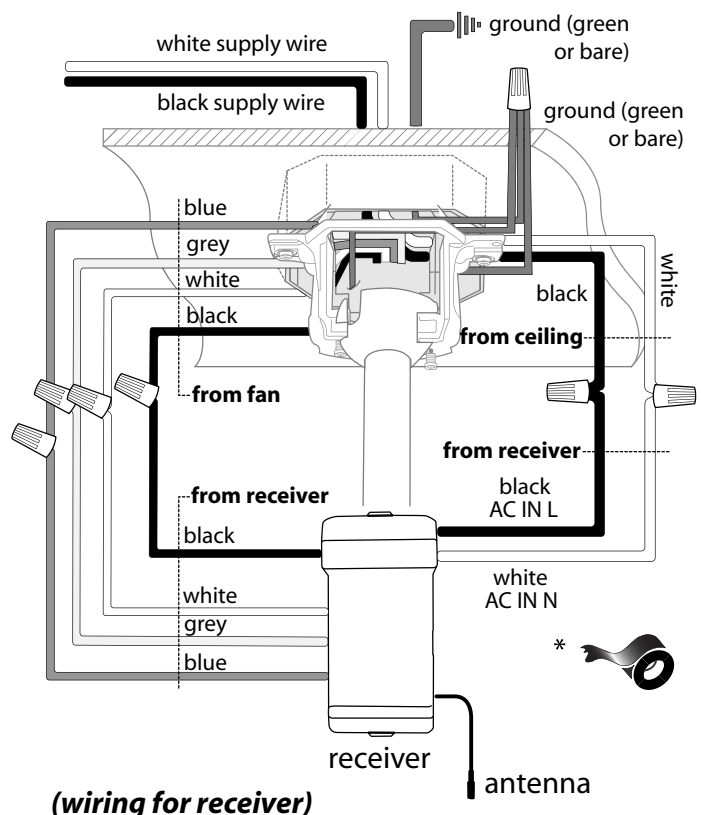
When downrod is secured in place on the hanging bracket, wire the **RECEIVER** with wire connectors provided as shown in *diagram at right*.

**Tip:** While you are wiring, keep in mind that wires must not obstruct receiver from sliding into hanging bracket.

\* Wrap each wire connector separately with electrical tape as an extra safety measure.

Gently insert receiver (flat side up) into hanging bracket and carefully push wires and taped wire connectors into outlet box. Let antenna rest *outside* of hanging bracket.

**["Wiring" continued on next page.]**



## 6. Wiring. (cont.)

[**PLEASE NOTE:** Wall and/or handheld remote control must be used for fan to operate. *If you do not wish to use the wall control, please proceed to Section 7 to continue with fan installation.*]

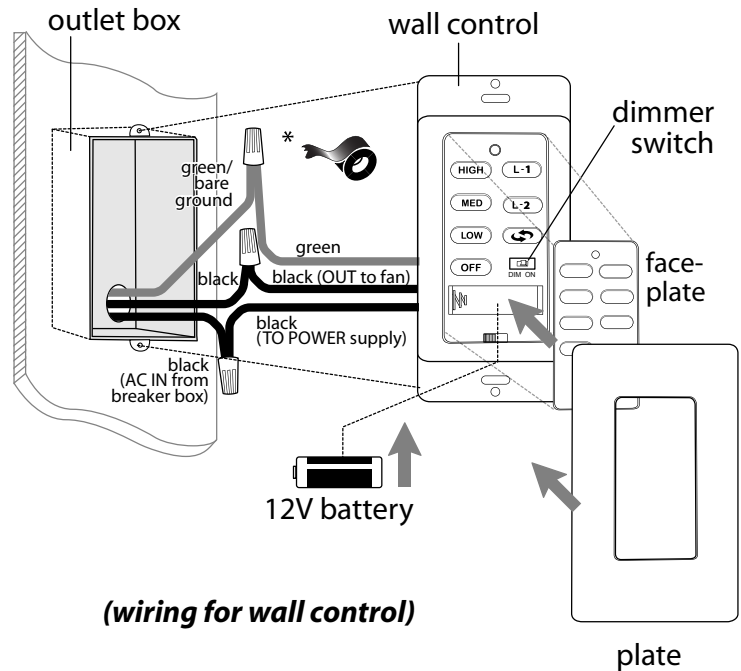
**To install wall control**, remove existing wall switch. Wire one of the wall controls with wire connectors provided as shown in diagram at right.

\*Wrap each wire connector separately with electrical tape as an extra safety measure. Gently push wires and taped wire connectors into outlet box.

Install one 12-volt battery (included) in wall control. **IMPORTANT:** Wall control will not function unless battery is installed.

The bulbs provided with this fan are not compatible with dimmer controls; therefore, the dimmer switch (labeled **DIM** and **ON**) has been pre-set to the "OFF" position (**ON**). If you wish to have dimming capability, you will need to use a different type of bulb (sold separately) and the switch must be moved to the "ON" position (**DIM**).

Select a faceplate (almond or white) and press firmly onto front of wall control. Attach wall control to outlet box and secure with screws from original wall switch. Attach wall plate (included) to wall control using 2 screws provided with the wall control.



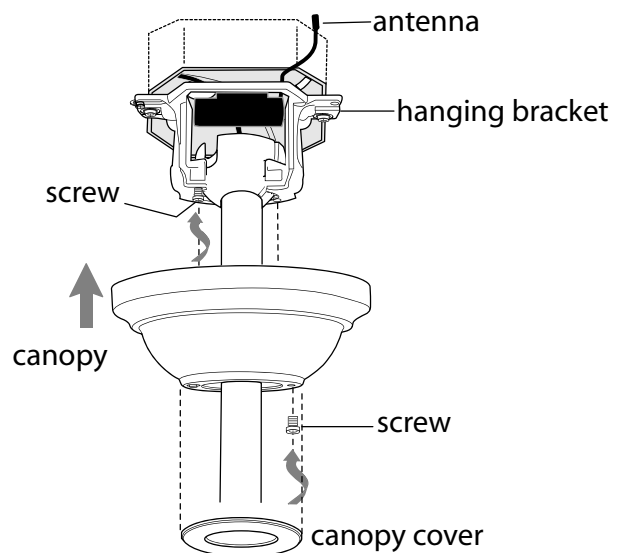
**⚠ WARNING: Choking Hazard** - Small parts. Keep battery away from children.

## 7. Canopy Assembly.

Locate 2 screws on underside of hanging bracket and remove screw closest to the open end of the hanging bracket. Partially loosen the other screw. Lift canopy to hanging bracket. Place rounded part of slotted hole in canopy over loosened screw in hanging bracket and push up. Twist canopy to lock. Re-insert screw that was removed and then tighten both screws securely.

Slide canopy cover up to canopy, aligning rounded part of slotted holes in canopy cover with screwheads in bottom of canopy. Turn canopy cover to the right (clockwise) until it stops.

\*Remember that antenna for remote control receiver must rest *outside* of hanging bracket.



## 8. Light Kit Assembly (Optional).

**If you wish to USE the light kit**, remove 1 screw from motor plate on underside of motor assembly and partially loosen the other 2 screws. Align slotted holes in **large** fitter plate with loosened screws in motor plate, allowing molex connections from motor assembly to come through hole in middle of large fitter plate. Twist large fitter plate to lock. Re-insert screw previously removed and securely tighten all 3 screws with a Phillips screwdriver.

Remove 1 screw from post on underside of large fitter plate and partially loosen the other 2 screws.

Connect **WHITE** wire from motor assembly to **WHITE** wire from light kit fitter. Connect **BLACK** (or **BLUE**) wire from motor assembly to **BLACK** wire from light kit fitter. Be sure molex connections snap together securely.

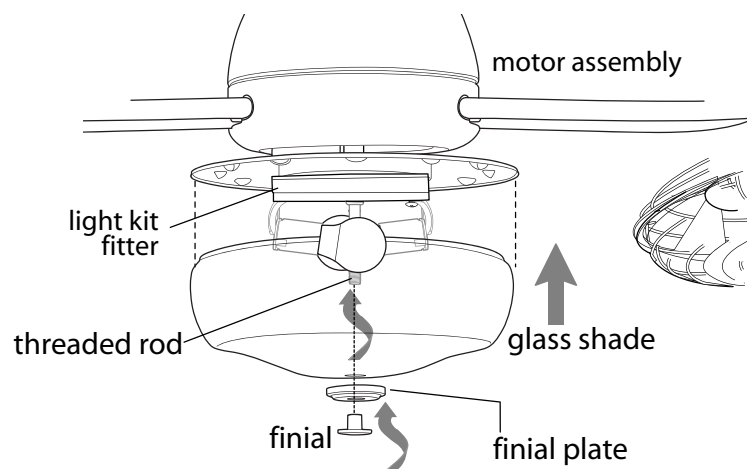
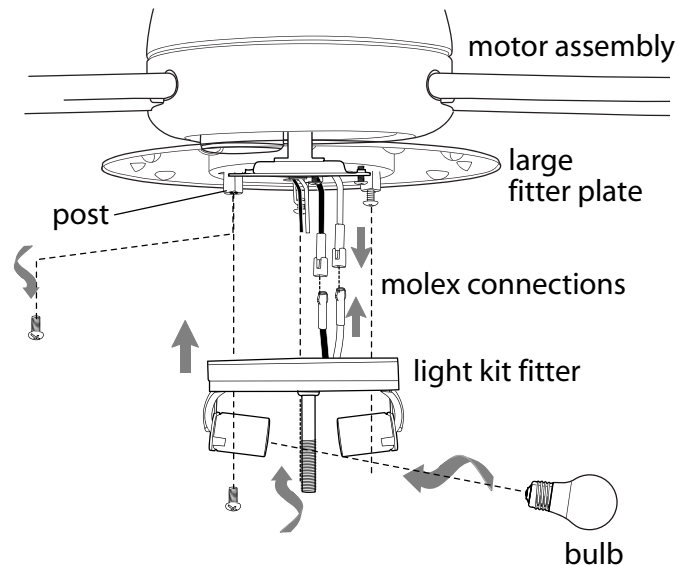
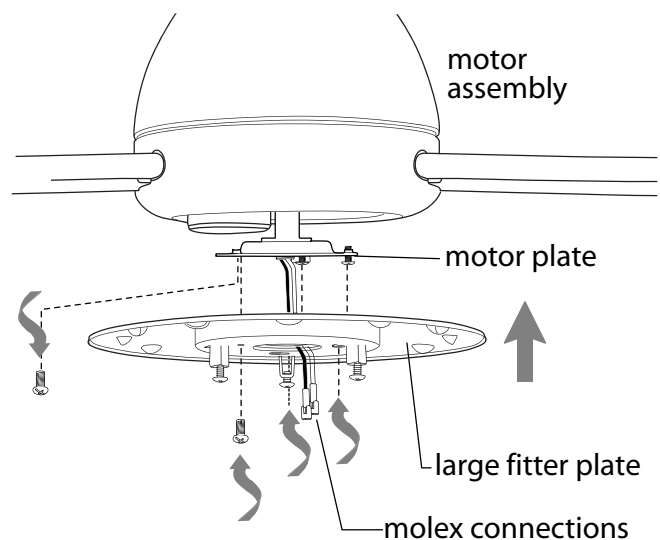
Align slotted holes in light kit fitter with loosened screws in large fitter plate. Twist light kit fitter to lock. Re-insert screw that was previously removed. Tighten all 3 screws securely.

Install 2 medium base 9-watt LED bulbs (included).

**Important:** When replacing bulbs, please allow bulbs and glass shade to cool down before touching.

Remove finial and finial plate from threaded rod at bottom of light kit fitter. Raise glass shade in order to align threaded rod on light kit fitter with hole in middle of glass shade and push up gently, allowing threaded rod to come through hole. Replace finial plate and finial that were previously removed. Secure glass shade to light kit fitter by tightening finial.

**NOTE:** Do NOT overtighten finial as glass may crack or break.



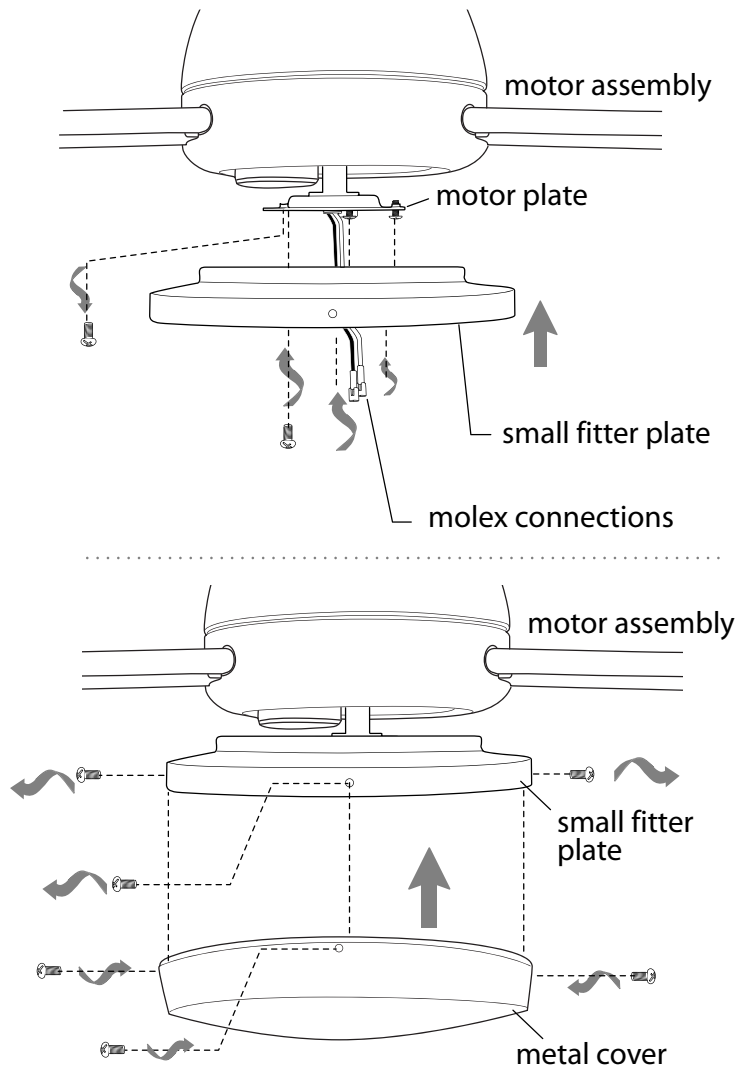


## 9. Alternate Final Assembly, Without Light Kit.

**If you do NOT wish to use the light kit**, remove 1 screw from motor plate on underside of motor assembly and partially loosen the other 2 screws. Align slotted holes in **small** fitter plate with loosened screws in motor plate, allowing molex connections from motor assembly to come through hole in middle of small fitter plate. Twist small fitter plate to lock. Re-insert screw that was previously removed and securely tighten all 3 screws with a Phillips screwdriver.

Remove 3 screws from outer edge of small fitter plate.

Align holes in metal cover with holes in outer edge of small fitter plate. Secure metal cover with 3 screws that were just removed.

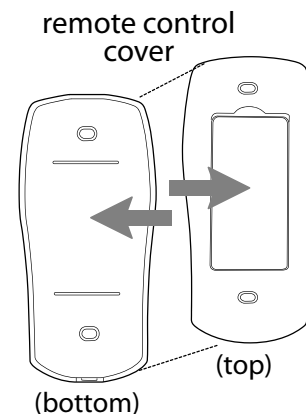


## 10. Assembly of Handheld Remote Control.

*IN ORDER TO USE THE HANDHELD REMOTE CONTROL, PLEASE CONTINUE WITH SECTION 10 for remote control assembly instructions. If you have already installed the wall control but do **not** wish to use the handheld remote control, please proceed to Section 11.*

Gently pull on remote control cover to separate top and bottom parts. [Refer to **diagram 1**.]

**["Assembly of Handheld Remote Control" continued on next page.]**



**diagram 1**

## 10. Assembly of Handheld Remote Control. (cont.)

In order to use wall control as a handheld remote control, cut each wire on wall control (that was not previously used)--use wire cutters to cut off each wire as close to the wall control as possible. [Refer to **diagram 2**.]

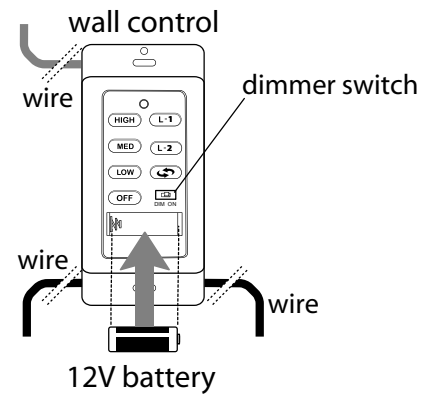
Install one 12-volt battery (included) in wall control. [Refer to **diagram 2**.]

The bulbs provided with this fan are not compatible with dimmer controls; therefore, the dimmer switch (labeled **DIM** and **ON**) has been pre-set to the "OFF" position (**ON**). If you wish to have dimming capability, you will need to use a different type of bulb (sold separately) and the switch must be moved to the "ON" position (**DIM**).

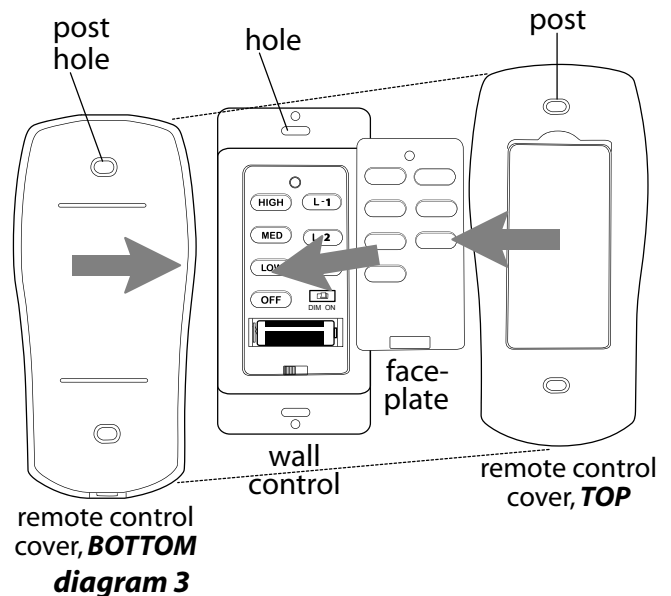
Attach **black faceplate** to front of wall control; press down firmly. [Refer to **diagram 3**.]

Align holes in wall control with posts located on *inside* of TOP part of remote control cover and press together firmly. Place wall control into BOTTOM part of remote control cover, aligning posts in top of remote control cover with post holes in the bottom. [Refer to **diagram 3**.] (**NOTE:** Make sure to align narrower ends of remote control cover before closing.) Squeeze top and bottom of remote control cover together until you hear a click at each end, indicating that the remote control cover has closed completely.

**IMPORTANT:** Store the remote control away from excess heat or humidity. To prevent damage to remote control, remove the battery if remote control will not be used for long periods.



**diagram 2**



**diagram 3**

**CAUTION:** "DO NOT DISPOSE OF BATTERIES IN FIRE, BATTERIES MAY EXPLODE OR LEAK." - When disposing of household alkaline batteries, it is best to check with your local and state recycling or household hazardous waste coordinators concerning the specifics of the program in your area. You may also locate a recycling center by calling 1-800-8-BATTERY or 1-877-2-RECYCLE or visit [www.epa.gov/epawaste/index.htm](http://www.epa.gov/epawaste/index.htm) or [www.earth911.org](http://www.earth911.org) for more information.

## 11. Automated Learning Process./Activating Code.

**CAUTION:** The wall and/or handheld remote control can be programmed to multiple receivers or fans. If this is not desired, turn wall switch off to any other programmable receiver or fan.

Restore electrical power and then, if using wall control, set slider switch on wall control to the ON position. Within 60 seconds of turning on the wall control, press and hold the fan **OFF** button on the wall control for 5 seconds (or until light blinks twice or fan blades begin to turn.)

**Turn power off again for at least 5 seconds** and then turn power back on. Within 60 seconds of restoring the power, press and hold the fan **OFF** button on the handheld remote control for 5 seconds (or until light blinks twice or fan blades begin to turn.)

Test the light and fan functions to confirm the learning process is complete--see Section 13 on the following page.

## 12. Remote Control Operation.

**ON/OFF** slider switch - turns *wall control* ON or OFF  
(switch not functional on handheld remote)

**HIGH** button - turns *fan* to HIGH speed

**MED** button - turns *fan* to MEDIUM speed

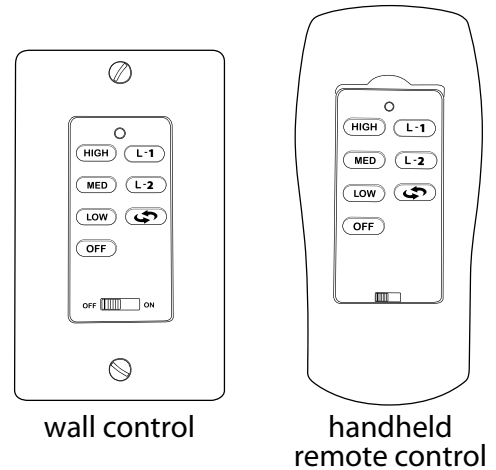
**LOW** button - turns *fan* to LOW speed

**OFF** button - turns *fan* OFF

**L1** button - (not applicable for this fan)

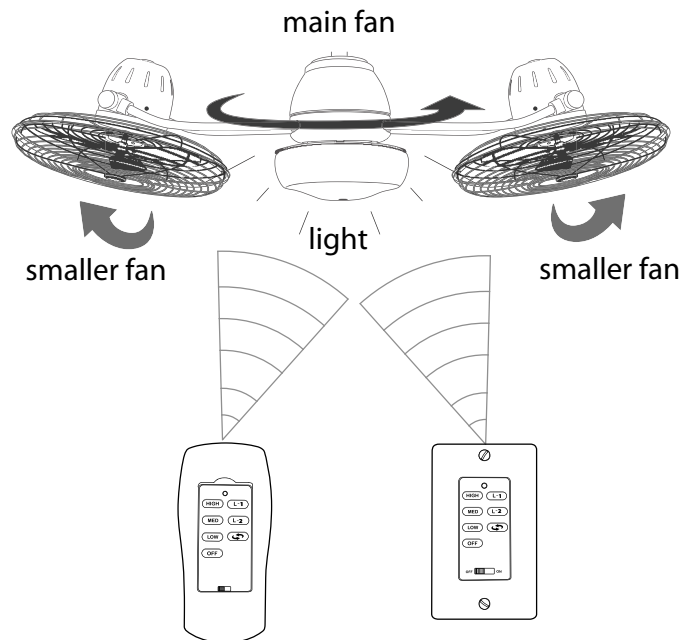
**L2** button - turns *light kit* ON/OFF when pressed once;  
dims *light kit* when pressed and held down

↻ button - turns *main fan* ON/OFF when pressed once  
(i.e., controls ROTATION of the ENTIRE fan)



## 13. Testing Your Fan.

It is recommended that you test fan before finalizing installation. Restore power from circuit box and light switch (if applicable). Test wall control (optional installation) by locating ON/OFF slider switch on wall control, then set to the ON position. Test ROTATION/OFF function of main fan with button used to control rotation of fan; test fan speeds of smaller fans with different fan speed buttons and OFF button. Test the light ON/OFF function by pressing the L2 button; test the dimmer function by pressing the L2 button and holding it down for 1 second. Next, locate handheld remote control. Test fan speeds (and OFF) with the different fan speed buttons and then test rotation of fan (and OFF) as was done with wall control. Test light with L2 button. If the wall and/or handheld remote control operates all of the functions of the fan/light, battery has been installed correctly. If the wall and/or handheld remote control do (does) not operate all of the fan/light functions, refer to "Troubleshooting" section to solve any issues before contacting Customer Service.



The tilt angle of the smaller fans may be adjusted up or down by simply moving them gently up or down.  
**WARNING: To avoid personal injury or damage to the fan, both the main fan and the smaller fans MUST BE TURNED OFF before adjusting the tilt angle of the smaller fans up or down.**

Fan *must* be on LOW *before* setting the fan to reverse direction. Use "reverse" button (↻) to recirculate air depending on the season.

**NOTE:** If the wall control/handheld remote control interferes with other appliances, **turn power off first** and then go back to the instructions in Section 11 on the previous page.

## Troubleshooting.

**WARNING:** Failure to disconnect power supply prior to troubleshooting any wiring issues may result in serious injury.

**Problem:** Fan fails to operate.

**Solutions:**

1. Check wall switch to fan/wall control.
2. Check to be sure wall control (optional use) is wired properly.
3. Check to be sure fan is wired properly.
4. Learning process between fan, handheld remote control and, if applicable, wall control may not have been successful and code was not activated. Turn off power and repeat instructions in Section 11, page 9.
5. Check that red light on handheld remote control turns on when a button is pressed indicating that the battery is good.

**Problem:** Light kit (optional) not lighting.

**Solutions:**

1. Check wall switch to fan/wall control.
2. Check that bulbs are installed correctly.
3. Check that wires in canopy are wired properly.
4. Verify that molex connections in light kit fitter are connected properly.
5. Learning process between fan, handheld remote control and, if applicable, wall control may not have been successful and code was not activated. Turn off power and repeat instructions in Section 11, page 9.

**Problem:** Fan operates but light fails (if applicable).

**Solutions:**

1. Check that bulbs are installed correctly.
2. Check that wires in canopy are wired properly.
3. Replace defective bulbs with same type of bulb.
4. Verify that molex connections in light kit fitter are connected properly.

**Problem:** Fan and light fail to operate with wall control (optional) and/or handheld remote control.

**Solutions:**

1. Check battery power in handheld remote control.
2. Learning process between fan, handheld remote control and, if applicable, wall control may not have been successful and code was not activated. Turn off power and repeat instructions in Section 11, page 9.
3. If using optional wall control, check that battery in wall control is still good.

**Problem:** Fan wobbles.

**Solutions:**

1. Check to be sure set screw(s) on motor assembly yoke is (are) tightened securely.
2. Check to be sure set screw on hanging ball is tightened securely.

## Warranty.

CRAFTMADE™ LIFETIME LIMITED WARRANTY:

CRAFTMADE warrants this fan to the original household purchaser for indoor use under the following provisions: 1-YEAR WARRANTY: CRAFTMADE will replace or repair any fan which has faulty performance due to a defect in material or workmanship. Contact Craftmade Customer Service at **1-800-486-4892** to arrange for return of fan. Return fan, shipping prepaid, to Craftmade. We will repair or ship you a replacement fan, and we will pay the return shipping cost.

5-YEAR WARRANTY: CRAFTMADE will repair or replace, at no charge to the original purchaser, any fan motor that fails to operate satisfactorily when failure results from normal use.

RETURN FAN MOTOR ONLY, shipping prepaid, to Craftmade Industries. We will repair or ship purchaser a replacement motor and Craftmade will pay the return shipping cost.

6-YEAR to LIFETIME LIMITED WARRANTY: CRAFTMADE will repair the fan, at no charge for labor only to the original purchaser, if the fan motor fails to operate satisfactorily when failure results from normal use. Parts used in the repair will be billed to the purchaser at prevailing prices at time of repair.

The purchaser shall be responsible for all costs incurred in the removal, reinstallation and shipping of the product for repairs.

This warranty does not apply when damage from mechanical, physical, electrical or water abuse results in causing the malfunction. Deterioration of finishes or other parts due to time or exposure to salt air is specifically exempted under this warranty.

Neither Craftmade nor the manufacturer will assume any liability resulting from improper installation or use of this product. In no case shall the company be liable for any consequential damages for breach of this, or any other warranty expressed or implied whatsoever. This limitation as to consequential damages shall not apply in states where prohibited.

## Parts Replacement.

For parts and information, please refer to "Parts Inventory" on page 2.

Craftmade Customer Support:

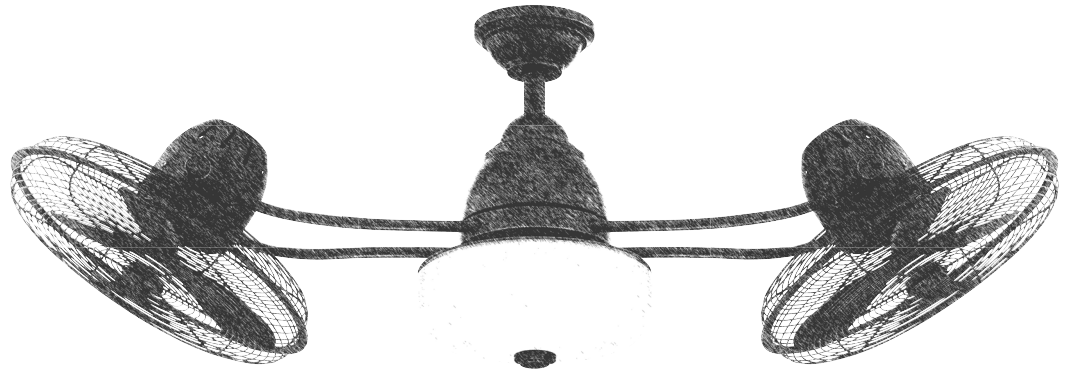
**1-800-486-4892**

[www.craftmade.com](http://www.craftmade.com)

# CRAFTMADE™

# CRAFTMADE™

LEER ESTAS INSTRUCCIONES Y  
GUARDARLAS PARA UTILIZACIÓN FUTURA



## Bellows II

### Guía de instalación

Para modelo:  
**BW248**

#### Índice de materias:

- Sugerencias de seguridad. Pág. 1
- Desempaquetado del ventilador. Pág. 2
- Inventario de piezas. Pág. 2
- Preparación para la instalación. Pág. 3
- Instalación del soporte de montaje. Pág. 3
- Ensamblaje del ventilador. Págs. 4 - 5
- Instalación eléctrica. Págs. 5 - 6
- Colocación de la cubierta decorativa. Pág. 6
- Instalación del juego de luz (opcional). Pág. 7
- Instalación final alternativa, sin el juego de luz. Pág. 8
- Ensamblaje del control remoto de mano. Págs. 8 - 9
- Proceso de aprendizaje automático/  
Activar el código. Pág. 9
- Funcionamiento del control remoto. Pág. 10
- Verificación del funcionamiento del ventilador. Pág. 10
- Localización de fallas. Pág. 11
- Garantía. Pág. 11
- Piezas de repuesto. Pág. 11



peso neto del ventilador: 12,51 kg (27,58 lb)

IMPRESO EN CHINA

# SUGERENCIAS DE SEGURIDAD.

**ADVERTENCIA:** para evitar la posibilidad de una descarga eléctrica, desconectar la corriente en la caja de fusibles principal o el interruptor protector antes de iniciar la instalación del ventilador o antes de repararlo o instalar accesorios.

1. **LEER TODAS LAS INSTRUCCIONES E INFORMACIÓN DE SEGURIDAD CUIDADOSAMENTE ANTES DE INSTALAR SU VENTILADOR Y GUARDAR ESTAS INSTRUCCIONES.**

**PRECAUCIÓN:** para reducir el riesgo de daño corporal, es posible que sea necesario usar guantes al manejar las piezas del ventilador que tengan bordes afilados.

2. Asegurarse de que todas las conexiones eléctricas cumplan con los Códigos o las Ordenanzas Locales, el Código Nacional Eléctrico, y ANSI/NFPA 70-1999. Si usted no está familiarizado con el alambrado eléctrico o los cables de la casa/el edificio son de colores diferentes a los cuales se refieren en las instrucciones, favor de buscar un electricista calificado.
3. Asegurarse de que haya localizado una ubicación para su ventilador que permite el espacio necesario para la rotación de las aspas y por lo menos 3,05 metros (10 pies) de espacio libre entre el piso y las puntas de las aspas. Debe instalar el ventilador para que las puntas de las aspas queden a una distancia de por lo menos 76 centímetros (30 pulgadas) de las paredes y otras estructuras verticales.
4. La caja de salida eléctrica debe estar bien sujeta a la viga de soporte del techo y deben ser capaces de sostener por lo menos 16 kilogramos (35 libras). La caja debe tener apoyo directo de la estructura del edificio. Sólo usar cajas de salida registradas con CUL (Canadá) o UL (EEUU) que indican que "sirven para ventilador" ("FOR FAN SUPPORT" en inglés).

**ADVERTENCIA:** para reducir el riesgo de incendio, descarga eléctrica o daño corporal, instalar en la caja de salida marcada "Acceptable para sostener ventilador de 15,9 kg (35 lb) o menos" ["Acceptable for Fan Support of 15.9 kg (35 lb) or less"] y utilizar los tornillos proporcionados con la caja de salida. La mayoría de las cajas de salida que se usan normalmente para sostener los aparatos de alumbrado no siempre son apropiadas para sostener ventiladores y es posible que las tenga que reemplazar. En caso de duda, consultar con un electricista calificado.

**ADVERTENCIA:** para reducir el riesgo de incendio, descarga eléctrica o daño corporal, los conectores para cable provistos con este ventilador son diseñados para aceptar sólo un cable de calibre 12 de la casa y dos cables principales del ventilador. Si el calibre del cable de la casa es superior al 12 o hay más de un cable de la casa para conectar a los cables principales del ventilador al cual corresponda cada uno, consultar con un electricista para informarse sobre el tamaño correcto de conectores para cable que se debe usar.

5. Los diagramas eléctricos son únicamente para referencia.
6. Después de haber terminado la instalación, asegurarse de que todas las conexiones estén totalmente seguras.
7. Después de haber terminado todas las conexiones eléctricas, los conductores empalmados deben ser volteados para arriba y colocados cuidadosamente dentro de la caja de salida. Los alambres se deben de separar con el conductor a tierra a un lado y el conductor a tierra del equipo al lado opuesto.

**ADVERTENCIA:** para reducir el riesgo de incendio o un choque eléctrico, no usar el ventilador con ningún control de velocidad de estado sólido ni controlar la velocidad del ventilador con un interruptor con reductor de luz de gama completa. [El usar un interruptor con reductor de luz de gama completa para controlar la velocidad del ventilador causará un zumbido recio del ventilador.]

8. No insertar ningún objeto entre las aspas mientras estén rotando.

**ADVERTENCIA:** para reducir el riesgo de daño corporal, no doblar los brazos de las aspas durante el ensamblaje ni durante la instalación. No insertar objetos entre las aspas mientras estén rotando.

**ADVERTENCIA:** para reducir el riesgo de daño corporal o algún daño al ventilador, tener cuidado al estar trabajando alrededor del ventilador o limpiándolo.

9. No utilizar agua ni detergentes para limpiar el ventilador ni las aspas. Usar un trapo seco o ligeramente húmedo para su limpieza general.

**ADVERTENCIA:** para reducir el riesgo de daño corporal, usar **sólo** las piezas provistas con este ventilador. **Al usar piezas DISTINTAS a las provistas con este ventilador se invalidará la garantía.**

**ADVERTENCIA:** este ventilador DEBE instalarse con el cable de seguridad provisto. Si no se utiliza el cable de seguridad provisto, se pueden producir lesiones personales, daños al ventilador o a otras propiedades.

NOTA: se han hecho pruebas en este equipo y se ha comprobado que cumple con los límites para un aparato digital de clase B, de acuerdo con la Parte 15 de las Reglas de la FCC. Se concibieron estos límites para proveer protección razonable contra la interferencia adversa en una instalación residencial. Este equipo produce, usa y puede radiar energía de radiofrecuencia y, si no se instala y no se usa según las instrucciones, puede causar interferencia adversa en la radiocomunicación. Sin embargo, no hay ninguna garantía de que no habrá interferencia en una instalación en particular. Si este equipo sí causa interferencia adversa en la recepción de radio o televisión, que se puede determinar apagando y prendiendo el equipo, se le urge al usuario a intentar rectificar la interferencia tomando una o más de las medidas que siguen:

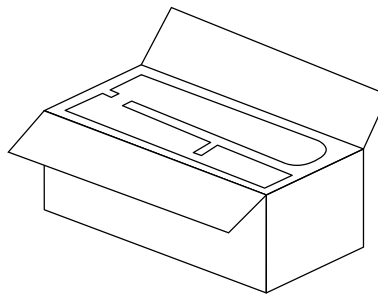
- \* Orientar la antena de nuevo o localizarla en otro sitio.
- \* Aumentar la separación entre el equipo y el receptor.
- \* Conectar el equipo a un tomacorriente en un circuito distinto al cual está conectado el receptor.

Solicitar ayuda del distribuidor o un técnico de radio/televisión.

**NOTA:** no se debe concluir que las precauciones de seguridad importantes e instrucciones en este manual van a abarcar todas las condiciones y situaciones posibles que puedan ocurrir. Se debe entender que el sentido común y la precaución son factores necesarios en la instalación y la operación de este ventilador.

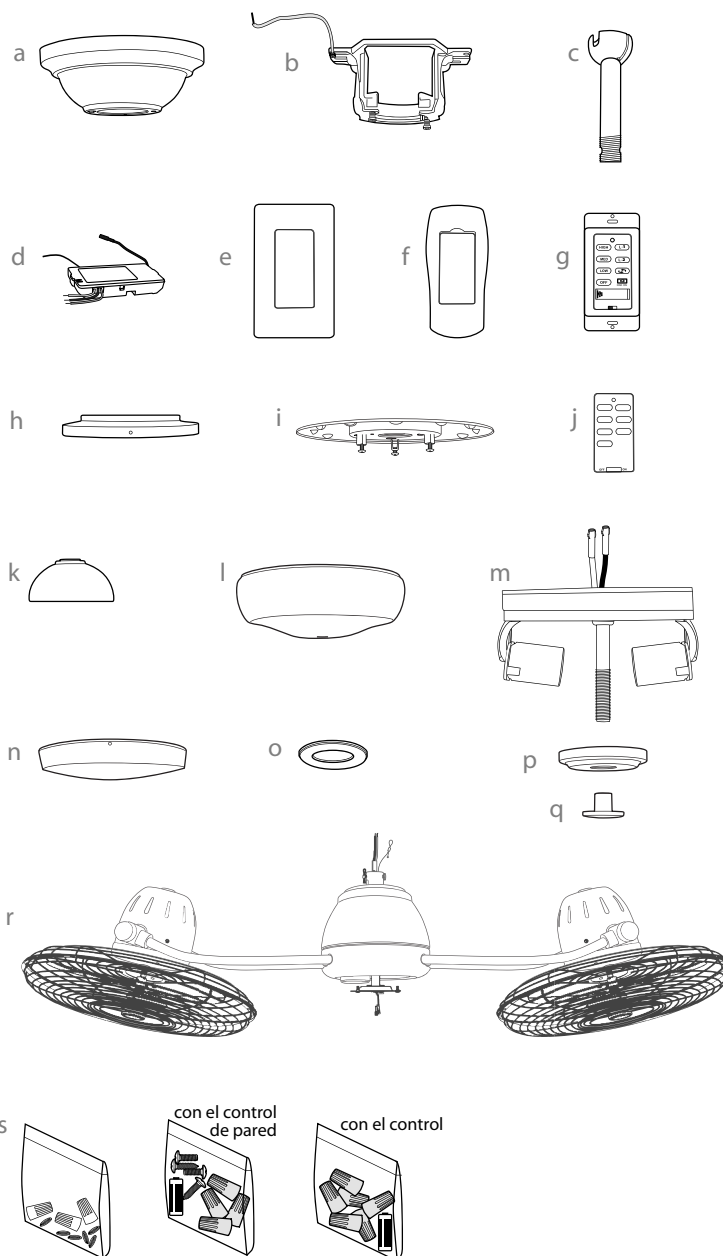
# 1. Desempaquetado del ventilador.

Abrir el empaque cuidadosamente. Sacar los artículos del embalaje. Sacar la unidad del motor y ponerla en una alfombra o en el embalaje para evitar rayar el acabado. Guardar la caja de cartón o el empaquetamiento original en caso de que tenga que mandar el ventilador para alguna reparación. Comprobar las piezas del ventilador con el inventario de piezas y verificar que se incluyeron todas.



## 2. Inventario de piezas.

- a.** cubierta decorativa. 1 unidad
- b.** soporte de montaje. 1 unidad
- c.** tubo y bola que sirve para colgar. 1 unidad
- d.** receptor del control remoto. 1 unidad distinta
- e.** tapa de tomacorriente. 1 unidad
- f.** cubierta del control remoto. 1 unidad
- g.** control de pared. 2 unidades
- h.** placa de conexión pequeña (para uso *sin* el juego de luz). 1 unidad
- i.** placa de conexión grande (para uso *con* el juego de luz). 1 unidad
- j.** tapa. 3 unidades
- k.** cubierta del cuello. 1 unidad
- l.** pantalla de vidrio. 1 unidad
- m.** conector para el juego de luz. 1 unidad
- n.** cubierta de metal. 1 unidad
- o.** tapa de la cubierta decorativa (en paquete de artículos de ferretería). 1 unidad
- p.** placa del adorno con rosca (fijada al conector para el juego de luz). 1 unidad
- q.** adorno con rosca (fijado al conector para el juego de luz). 1 unidad
- r.** unidad del motor. 1 unidad
- s.** paquetes de artículos de ferretería



**! RECORDATORIO IMPORTANTE:** Se tienen que utilizar las piezas provistas con este ventilador para una instalación adecuada y su seguridad. **!**

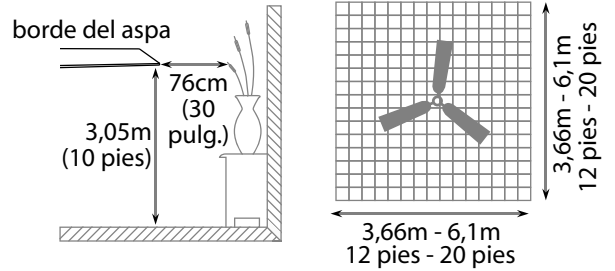
**bombillas necesarias:**  
2 bombillas LED de base mediana de 9 vatios (incluidas)



### 3. Preparación para la instalación.

Para prevenir daño corporal y otros daños, estar seguro de que el lugar en donde va a colgar el ventilador le permite un espacio libre de 3,05m (10 pies) entre las puntas de las aspas y el piso y 76cm (30 pulg.) entre las aspas y cualquier pared u otra obstrucción.

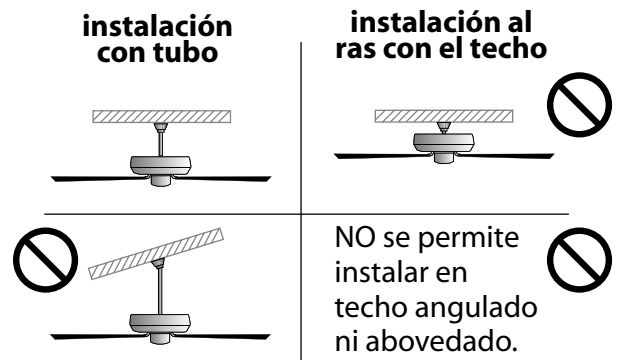
Este ventilador es adecuado para habitaciones hasta 37,2 metros cuadrados (400 pies cuadrados).



Este ventilador **sólo** se puede colgar **con el tubo** en un techo regular (sin inclinación). **NO SE PUEDE** colgar el ventilador al ras con el techo **ni** en un techo abovedado.

#### Se necesitan las herramientas siguientes para la instalación:

Destornillador de estrella Phillips, destornillador de paleta (plano), alicates ajustables o llave de tuercas, escalera de tijera, cortaalambres y cinta aisladora



### 4. Instalación del soporte de montaje.

Apagar los cortacircuitos en el panel de electricidad que suplen corriente a la caja de salida y asegurarse de que el interruptor de luz esté APAGADO.

**ADVERTENCIA:** no desconectar el suministro de fuerza antes de la instalación puede tener por resultado lesiones graves.

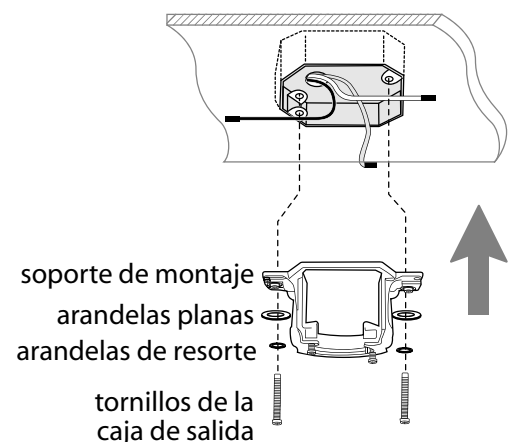
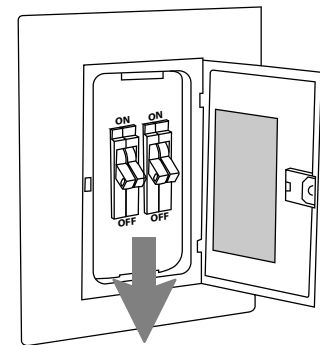
Quitar el aparato existente.

**ADVERTENCIA:** si utiliza una caja de salida existente, asegurarse de que la caja de salida esté firmemente conectada a la estructura del edificio y que sea capaz de sostener el peso total del ventilador. Asegurarse de que la caja de salida indique claramente que "Sirve para ventilador" (FOR FAN SUPPORT); si no, se debe reemplazar con una caja de salida aprobada. El no hacer el cambio si es necesario puede resultar en lesiones graves.

**PRECAUCIÓN:** asegurarse de que la caja de salida esté conectada a tierra correctamente y que haya un conductor a tierra (**VERDE** o pelado).

Instalar el soporte de montaje utilizando los tornillos originales, las arandelas de resorte y las arandelas planas de su nueva o existente caja de salida.\* Arreglar el alambrado eléctrico (los cables) en la parte de atrás del soporte y lejos de la abertura del soporte.

\***Nota:** es muy importante usar los artículos de ferretería correctos al instalar el soporte de montaje puesto que sirve para sostener el ventilador.





## 5. Ensamblaje del ventilador.

Quitar la bola que sirve para colgar del tubo provisto aflojando el tornillo de fijación de la bola que sirve para colgar. Bajar la bola que sirve para colgar y sacar el perno de tope y luego quitar la bola que sirve para colgar deslizándola. [Referirse al **diagrama 1**].

Aflojar los tornillos de fijación del cuello y las tuercas en la parte superior de la unidad del motor. Quitar el perno y la clavija del cuello en la unidad del motor. [Referirse al **diagrama 2**].

**Sugerencia:** para preparar los cables para pasarlos por el tubo, poner un pedacito de cinta aisladora en la punta de los cables—esto mantendrá los cables juntos al pasarlos por el tubo. [Referirse al **diagrama 2**].

Determinar el largo del tubo que desea usar. Pasar los cables del ventilador y el cable de seguridad a través del extremo roscado del tubo y con cuidado jalar el cableado en exceso por la parte de arriba del tubo. [Referirse al **diagrama 2**].

Enroskar el tubo en el cuello de la unidad del motor hasta alinearse los agujeros para el perno y la clavija en el tubo con los del cuello—asegurarse de que no se tuerzan los cables. Volver a introducir el perno y la clavija que se quitaron anteriormente. Apretar los tornillos de fijación del cuello y la tuerca completamente. [Referirse al **diagrama 2**].

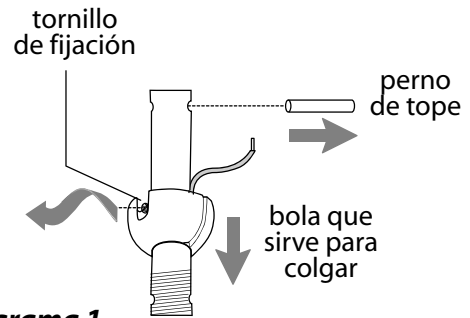
Localizar la tapa de la cubierta decorativa en uno de los paquetes de artículos de ferretería. Deslizar la cubierta del cuello, la tapa de la cubierta decorativa y la cubierta decorativa por el tubo. [Referirse al **diagrama 3**]. (**Nota:** se debe voltear la tapa de la cubierta decorativa para que el lado brillante dé a la unidad del motor).

Pasar el cable de seguridad y los cables por la bola que sirve para colgar y luego deslizar la bola que sirve para colgar sobre el tubo—la parte de arriba del tubo debe tener el agujero para el tornillo de fijación en ese extremo; usar ese agujero al colocar el tornillo de fijación. Introducir el perno de tope en la parte de arriba del tubo y subir la bola que sirve para colgar. Asegurarse de que el perno de tope se ponga en línea con las ranuras dentro de la bola que sirve para colgar. Apretar bien el tornillo de fijación. [Referirse al **diagrama 4**].

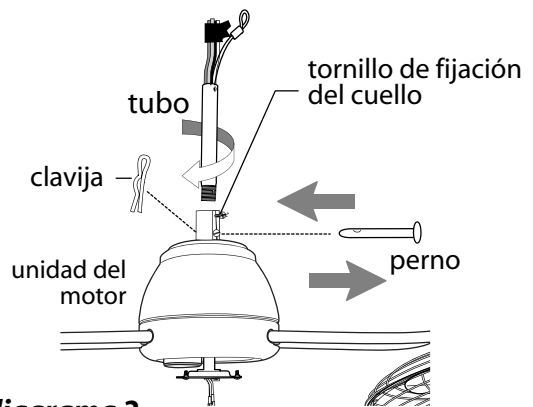
**ADVERTENCIA:** si no se aprieta bien el tornillo de fijación (en la bola que sirve para colgar) es posible que se afloje el ventilador y se caiga.

[El "Ensamblaje del ventilador" continúa en la página siguiente].

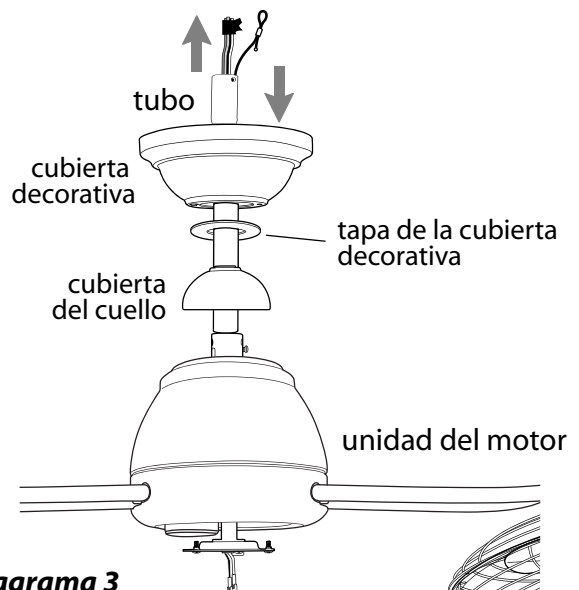
**NOTA:** no se debe concluir que las precauciones de seguridad importantes e instrucciones en este manual van a abarcar todas las condiciones y situaciones posibles que puedan ocurrir. Se debe entender que el sentido común y la precaución son factores necesarios en la instalación y la operación de este ventilador.



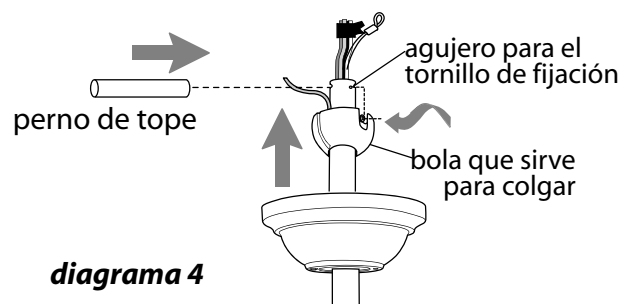
**diagrama 1**



**diagrama 2**



**diagrama 3**



**diagrama 4**

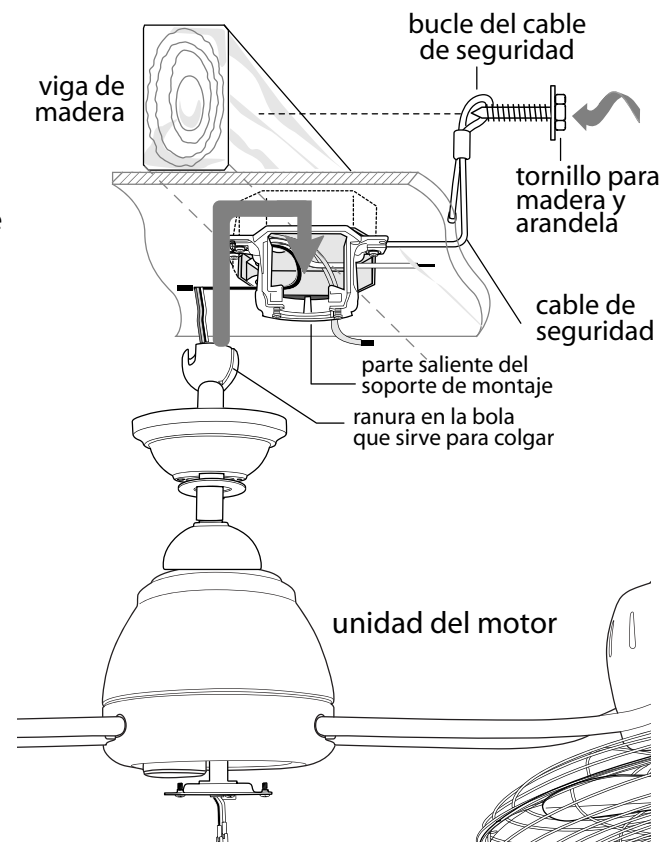
## 5. Ensamblaje del ventilador. (cont.)

Ya que esté sujetado el soporte de montaje a la caja de salida y capaz de apoyar el ventilador, usted está listo para colgar el ventilador. Agarrar el ventilador firmemente con las dos manos. Deslizar el tubo por la abertura del soporte de montaje y dejar que se detenga la bola que sirve para colgar en el soporte de montaje. Girar la bola que sirve para colgar hasta que la ranura de la bola que sirve para colgar se alinee con la parte saliente del soporte de montaje.

**ADVERTENCIA:** no alinear la ranura en la bola que sirve para colgar con la parte saliente del soporte de montaje puede causar lesiones graves o la muerte.

**PRECAUCIÓN:** debido al tamaño (anchura) del ventilador, se aconseja solicitar ayuda de otra persona para mantener sujeta la escalera y para que le suba el ventilador cuando usted ya esté preparado en la escalera para colgarlo.

Encontrar un punto de acoplamiento seguro (se recomienda la viga de madera en el techo) y asegurar el cable de seguridad. Utilizar tornillo para madera para trabajos pesados, arandela y arandela de seguridad (no provistos) en el bucle del cable de seguridad. Si es necesario, ajuste el bucle en el extremo del cable de seguridad. El bucle en el extremo del cable de seguridad debe ser de tal tamaño que pase justo sobre la punta de la parte roscada del tornillo para madera. *Poner el cable a prueba, jalando con un alicate la parte suelta en la punta del cable. Si el cable se desliza o se reduce el bucle del cable por donde pasa el tornillo, hay que ajustar el bucle de nuevo. Se puede poner el cable en exceso en el área del techo.*



## 6. Instalación eléctrica.

**PRECAUCIÓN:** asegurarse de que la caja de salida esté conectada a tierra como es debido y que exista un conductor a tierra (**VERDE** o pelado).

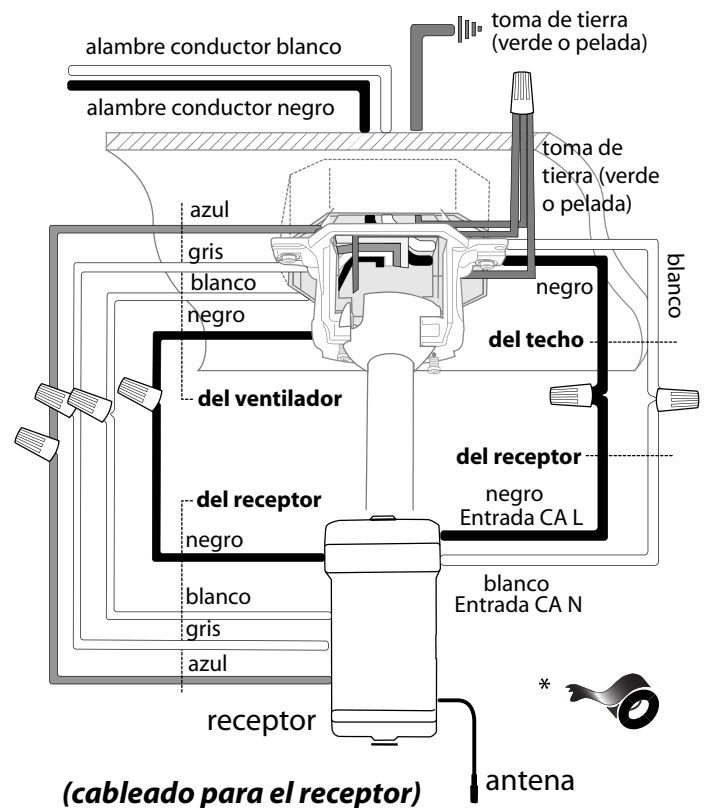
Asegurarse de que todas las conexiones eléctricas cumplan con los Códigos o las Ordenanzas Locales y el Código Nacional Eléctrico. Si usted no está familiarizado con el alambrado eléctrico o los cables de la casa/el edificio son de colores diferentes a los que se refieren en el diagrama al lado, favor de buscar un electricista calificado.

Una vez que el ventilador esté bien sujeto en el soporte de montaje, alambrar el **RECEPTOR** con los conectores para cable provistos así como se muestra en el *diagrama al lado*. **Sugerencia:** Mientras está haciendo la instalación eléctrica, recordar que los cables no deben impedir el posicionamiento del receptor en el soporte de montaje.

\* Como una medida de seguridad adicional, envolver cada conector para cable por separado con cinta aisladora.

Meter el receptor (con el lado plano hacia arriba) en el soporte de montaje y delicadamente meter los conectores para cable que tienen cinta dentro de la caja de salida. Dejar que la antena quede *fuera* del soporte de montaje.

**["Instalación eléctrica" continúa en la página siguiente].**



## 6. Instalación eléctrica. (cont.)

[**FAVOR DE DARSE CUENTA:** se debe utilizar el control de pared y/o el control remoto de mano para que funcione el ventilador. Si **no** desea utilizar el control de pared, favor de pasar a la sección 7 para seguir con la instalación del ventilador].

**Para instalar el control de pared,** quitar el interruptor de pared existente. Alambrear uno de los controles de pared con los conectores para cable provistos así como se muestra en el diagrama al lado.

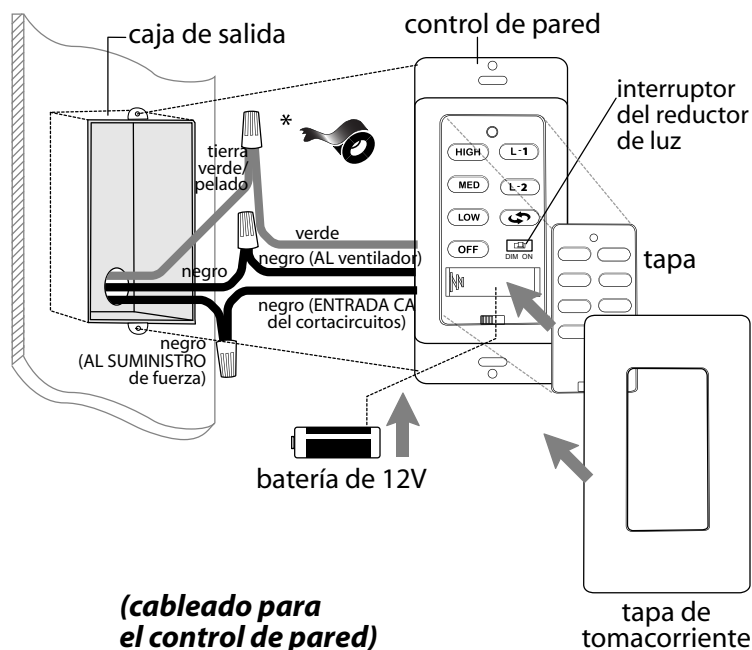
\*Como una medida de seguridad adicional, envolver cada conector para cable con cinta aisladora. Delicadamente meter los cables y los conectores para cable que tienen cinta dentro de la caja de salida.

Instalar 1 batería de 12 voltios (incluida) en el control de pared.

**IMPORTANTE:** el control de pared no funcionará sin que se instale la batería.

Las bombillas provistas con este ventilador no son compatibles con reductor de luz, por consiguiente el interruptor del reductor de luz (etiquetado **DIM** y **ON**) está programado de antemano en posición "APAGADO" (**ON**). Si desea tener la capacidad de reducir la luz, tendrá que usar otro tipo de bombillas (a la venta por separado) y mover el interruptor a la posición "ENCENDIDO" (**DIM**).

Escoger una tapa (color almendra o blanca) y apretarla firmemente en la parte delantera del control de pared. Sujetar el control de pared a la caja de salida y asegurarlo con los tornillos del interruptor de pared original. Sujetar la tapa de tomacorriente (incluida) al control de pared usando los 2 tornillos provistos con el control de pared.



(cableado para el control de pared)

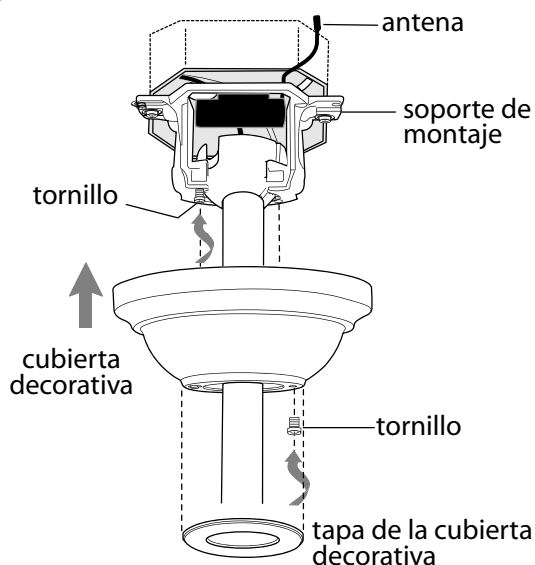
**⚠ ADVERTENCIA:** peligro de asfixia - Piezas pequeñas. Mantenga las baterías fuera del alcance de los niños.

## 7. Colocación de la cubierta decorativa.

Localizar los 2 tornillos en la parte inferior del soporte de montaje y quitar el tornillo que está localizado más cerca del extremo abierto del soporte de montaje. Aflojar parcialmente el otro tornillo. Elevar la cubierta decorativa hasta el soporte de montaje. Poner la parte redondeada del agujero con ranura en la cubierta decorativa encima del tornillo aflojado en el soporte de montaje y empujar hacia arriba. Girar la cubierta decorativa para cerrarla. Volver a introducir el tornillo que se quitó, y luego apretar bien ambos tornillos.

Subir la tapa de la cubierta decorativa hasta la cubierta decorativa, alineando la parte redondeada de los agujeros con ranura en la tapa de la cubierta decorativa con las cabezas de tornillo en el fondo de la cubierta decorativa. Girar la tapa de la cubierta decorativa a la derecha (en sentido de las agujas del reloj) hasta que ya no gire.

\*Recordar que la antena del receptor del control remoto debe quedar *fuera* del soporte de montaje.



## 8. Instalación del juego de luz (opcional).

**Si desea UTILIZAR el juego de luz**, quitar 1 tornillo de la placa del motor en el lado inferior de la unidad del motor y aflojar parcialmente los otros 2 tornillos. Alinear los agujeros con ranura en el centro de la placa de conexión *grande* con los tornillos aflojados en la placa del motor, dejando que el enchufe macho de la unidad del motor pase por el agujero de en medio de la placa de conexión *grande*. Girar la placa de conexión *grande* para cerrarla. Volver a introducir el tornillo que se quitó anteriormente y apretar bien los 3 tornillos con un destornillador de estrella Phillips.

Quitar 1 tornillo del poste localizado en la parte inferior de la placa de conexión *grande* y parcialmente aflojar los otros 2 tornillos.

Conectar el cable **BLANCO** del conector para el juego de luz al cable **BLANCO** de la unidad del motor. Conectar el cable **NEGRO** del conector para el juego de luz al cable **NEGRO** (o **AZUL**) de la unidad del motor. Asegurarse de que las conexiones molex se conecten bien con un clic.

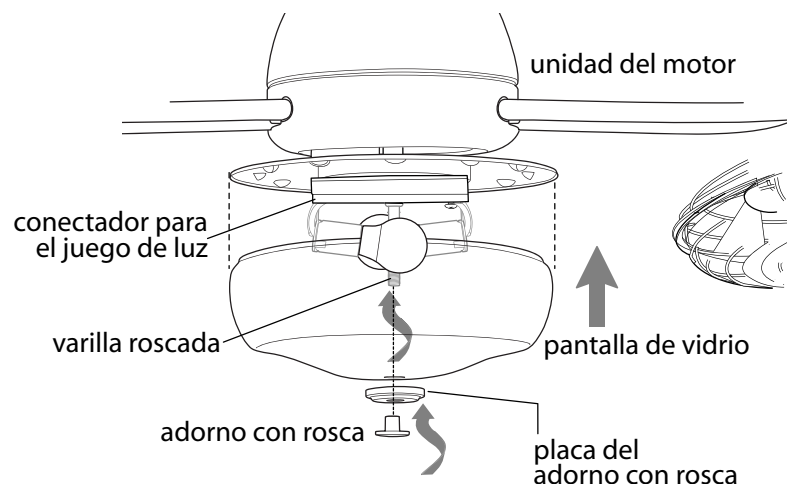
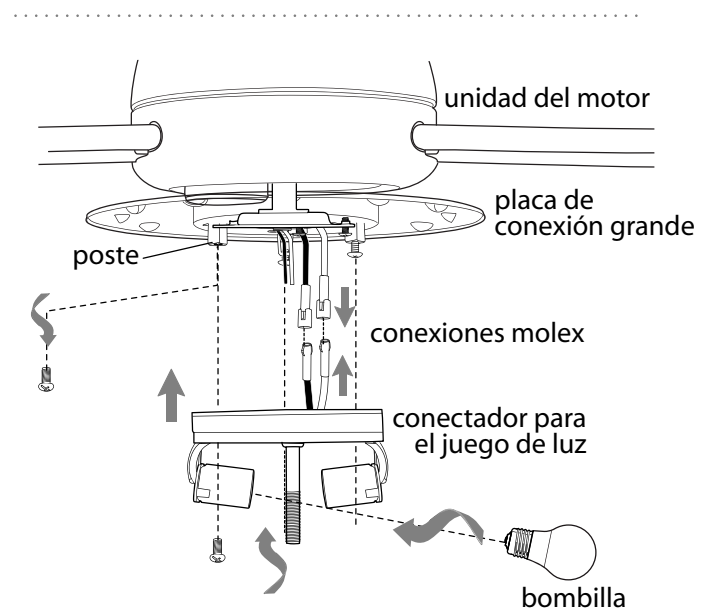
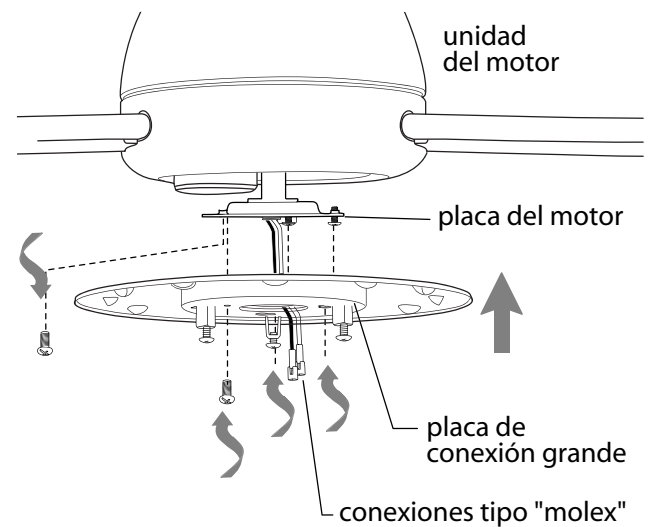
Alinear los agujeros con ranura en el conector para el juego de luz con los tornillos aflojados en la placa de conexión *grande*. Girar el conector para el juego de luz para cerrarlo. Volver a introducir el tornillo que se quitó anteriormente. Apretar bien los 3 tornillos

Instalar 2 bombillas LED de base mediana de 9 vatios (incluidas).

**Importante:** Cuando necesite reemplazar las bombillas, dejar que se enfríen las bombillas y la pantalla de vidrio antes de tocarlas.

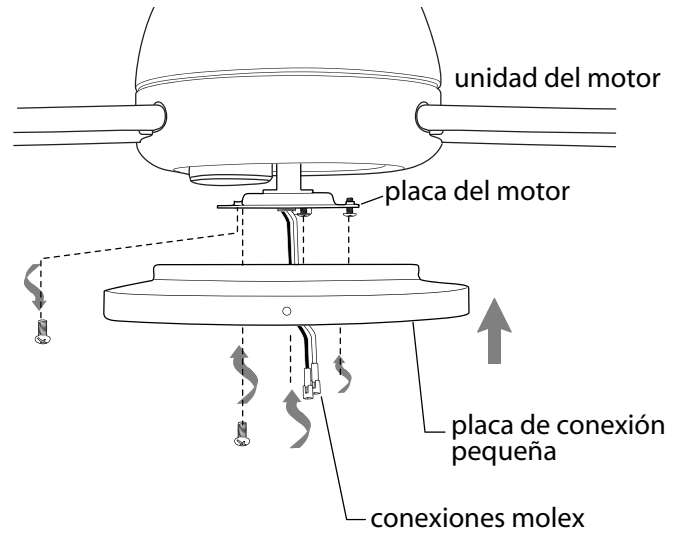
Quitar el adorno con rosca y la placa del adorno con rosca de la varilla roscada en la parte inferior del conector para el juego de luz. Subir la pantalla de vidrio para alinear la varilla roscada en el conector para el juego de luz con el agujero de en medio de la pantalla de vidrio y empujar cuidadosamente desde abajo, dejando que la varilla roscada pase por el agujero. Volver a colocar la placa del adorno con rosca y el adorno con rosca que se quitaron anteriormente. Asegurar la pantalla de vidrio al conector para el juego de luz apretando el adorno con rosca.

**NOTA:** NO apretar demasiado el adorno con rosca ya que el vidrio se puede rajarse o romper.



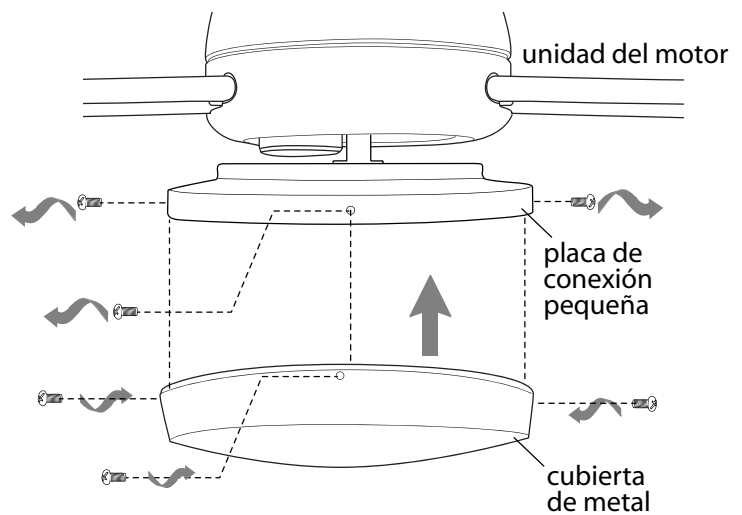
## 9. Instalación final alternativa, sin el juego de luz.

**Si NO desea utilizar el juego de luz,** quitar 1 tornillo de la placa del motor en el lado inferior de la unidad del motor y aflojar parcialmente los otros 2 tornillos. Alinear los agujeros con ranura en la placa de conexión **pequeña** con los tornillos aflojados en la placa del motor, dejando que las conexiones molex de la unidad del motor pasen por el agujero de en medio de la placa de conexión pequeña. Girar la placa de conexión pequeña para cerrarla. Volver a introducir el tornillo que se quitó anteriormente y apretar bien los 3 tornillos con un destornillador de estrella Phillips.



Quitar los 3 tornillos del borde exterior de la placa de conexión pequeña.

Alinear los agujeros de la cubierta de metal con los agujeros en el borde de la placa de conexión pequeña. Asegurar la cubierta de metal con los 3 tornillos que apenas se quitaron.

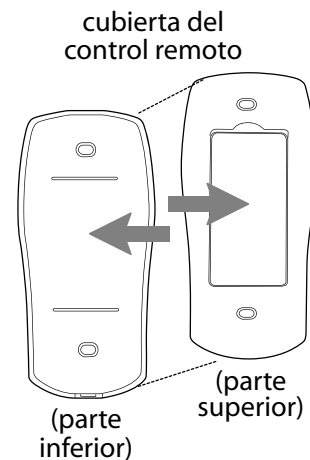


## 10. Ensamblaje del control remoto de mano.

**PARA PODER UTILIZAR EL CONTROL REMOTO DE MANO, FAVOR DE SEGUIR CON LA SECCIÓN 10 para armar el control remoto. Si ya se instaló el control de pared pero **no** desea utilizar el control remoto de mano, favor de pasar a la sección 11.**

Con cuidado separar la cubierta del control remoto, despegando la parte superior de la inferior. [Referirse al **diagrama 1**].

**["Ensamblaje del control remoto de mano" continúa en la página siguiente].**



**diagrama 1**

## 10. Ensamblaje del control remoto de mano. (cont.)

Para utilizar el control de pared como control remoto de mano, cortar cada cable en el control de pared (que no se usó anteriormente)--usar cortaalambres para cortar cada cable tan corto como sea posible. [Referirse al **diagrama 2**].

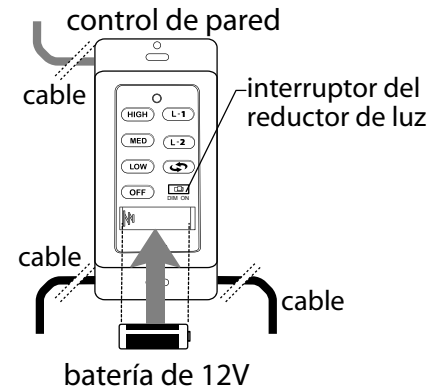
Instalar 1 batería de 12 voltios (incluida) en el control de pared. [Referirse al **diagrama 2**].

Las bombillas provistas con este ventilador no son compatibles con reductor de luz, por consiguiente el interruptor del reductor de luz (etiquetado **DIM y ON**) está programado de antemano en posición "APAGADO" (**ON**). Si desea tener la capacidad de reducir la luz, tendrá que usar otro tipo de bombillas (a la venta por separado) y mover el interruptor a la posición "ENCENDIDO" (**DIM**).

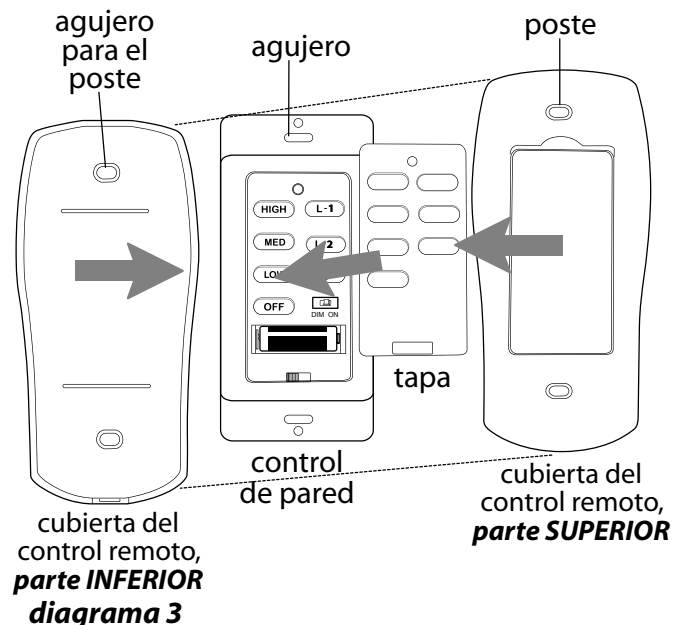
Fijar la **tapa negra** a la parte delantera del control de pared; apretar la tapa fijamente. [Referirse al **diagrama 3**].

Alinear los agujeros en el control de pared con los postes que se encuentran *adentro de* la parte SUPERIOR de la cubierta del control remoto y apretar fijamente. Colocar el control de pared dentro de la parte INFERIOR de la cubierta del control remoto, alineando los postes en la parte superior de la cubierta del control remoto con los agujeros para los postes en la parte inferior. [Referirse al **diagrama 3**]. (NOTA: asegurarse de alinear los extremos más angostos de la cubierta del control remoto antes de cerrarla). Apretar la parte superior e inferior de la cubierta del control remoto hasta que se oiga un "clic" en cada extremo, lo cual indicará que se haya cerrado completamente la cubierta del control remoto.

**IMPORTANTE:** guardar el control remoto lejos del calor excesivo o la humedad. Para prevenir daño al control remoto, sacar la batería si no se va a utilizar el control remoto por un tiempo extendido.



**diagrama 2**



**diagrama 3**

**PRECAUCIÓN:** "NO ARROJE LAS BATERÍAS AL FUEGO, PUEDEN EXPLOTAR O CHORREAR" - Antes de desechar baterías alcalinas domésticas, se recomienda consultar a los coordinadores de residuos domésticos peligrosos o de reciclaje locales y estatales para solicitarles información específica sobre el programa vigente en su zona. A su vez, puede localizar un centro de reciclaje llamando al 1-800-8-BATTERY o 1-877-2-RECYCLE, o visitando [www.epa.gov/epawaste/index.htm](http://www.epa.gov/epawaste/index.htm) o [www.earth911.org](http://www.earth911.org) para obtener más información.

## 11. Proceso de aprendizaje automático./Activar el código.

**PRECAUCIÓN:** se puede programar el control de pared/control remoto de mano para usar con varios receptores o ventiladores. Si no desea hacer esto, apagar el interruptor de cualquier otro receptor o ventilador programable.

Conectar la electricidad y luego, si se instaló el control de pared, poner el interruptor corredero en el control de pared en posición ON (encendido). Dentro de 60 segundos de haber prendido el control de pared, oprimir el botón **OFF** en el control de pared por 5 segundos (o hasta que la luz parpadee dos veces o las aspas del ventilador comiencen a girar).

**Cortar la corriente de nuevo por 5 segundos como mínimo** y luego volver a conectar la electricidad. Dentro de 60 segundos de haber conectado la electricidad, oprimir el botón **OFF** en el control remoto de mano por 5 segundos o hasta que la luz parpadee dos veces o las aspas del ventilador comiencen a girar).

Poner a prueba las funciones de luz y ventilador para confirmar que se haya terminado el proceso de aprendizaje--ver la sección 13 en la página siguiente.

## 12. Funcionamiento del control remoto.

Interruptor corredero **ON/OFF** - ENCIENDE y APAGA el *control de pared* (el interruptor no funciona en el control de mano)

Botón **HIGH** - pone el *ventilador* en velocidad ALTA

Botón **MED** - pone el *ventilador* en velocidad MEDIA

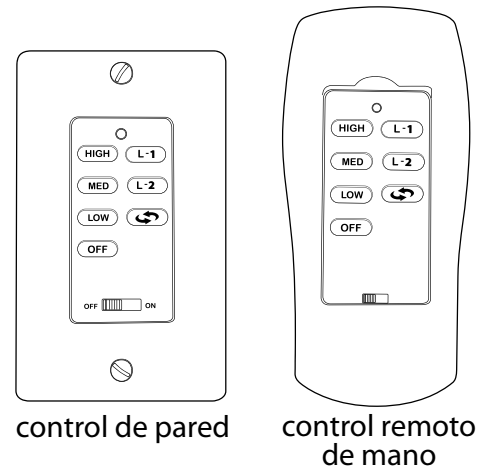
Botón **LOW** - pone el *ventilador* en velocidad BAJA

Botón **OFF** - APAGA el *ventilador*

Botón **L1** - (no se aplica para este ventilador)

Botón **L2** - ENCIENDE/APAGA el *juego de luz* cuando se oprime el botón una vez; al oprimir el botón y mantenerlo oprimido, se convierte en reductor de luz el *juego de luz*

Botón ↻ - ENCIENDE/APAGA el ventilador principal cuando se oprime el botón una vez (es decir, controla la ROTACION del ventilador ENTERO)

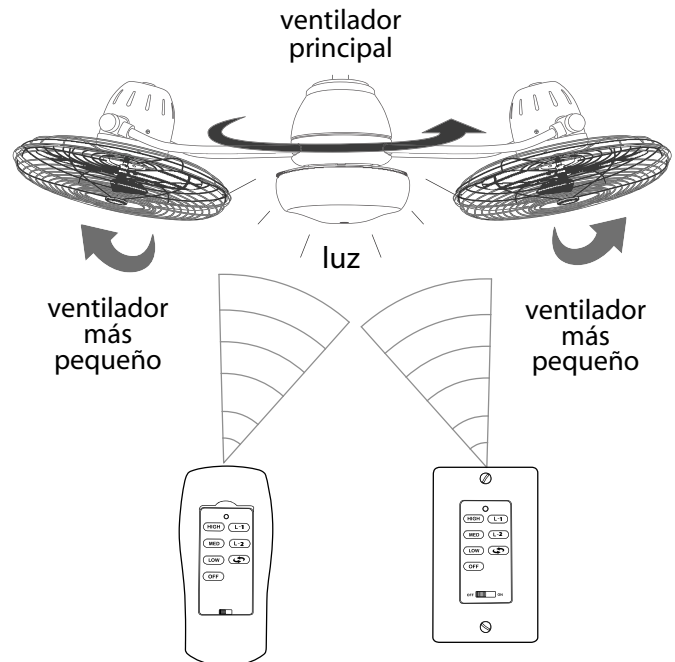


control de pared

control remoto de mano

## 13. Verificación del funcionamiento del ventilador.

Se le recomienda poner el ventilador a prueba antes de terminar la instalación. Regresar la corriente de electricidad en el cortacircuitos y el interruptor de la luz (si se aplica). Poner a prueba el control de pared (instalación opcional) localizando el interruptor corredero de APAGADO y ENCENDIDO en el control de pared, luego ponerlo en posición de ENCENDIDO (ON). Poner a prueba la función de ROTACION y APAGADO del ventilador principal con el botón que se usa para controlar la rotación del ventilador; poner a prueba las velocidades de los ventiladores más pequeños con los diferentes botones de velocidad y el botón de apagado (OFF). Poner a prueba la función de luz de APAGADO y ENCENDIDO con el botón L2; poner a prueba el funcionamiento del reductor de luz oprimiendo el botón L2 por más de 1 segundo. Luego, localizar el control remoto. Verificar las velocidades del ventilador (y el apagado) con los diferentes botones de velocidad de ventilador y poner a prueba la rotación del ventilador (y el apagado) igual que se hizo con el control de pared. Poner a prueba la luz con el botón L2. Si el control remoto maneja todas las funciones de ventilador/luz, se ha instalado bien la batería. Si el control de pared y/o el control remoto no controlan todas las funciones del ventilador/la luz, favor de referirse a la sección "Localización de fallas" para resolver cualquier asunto antes de comunicarse con el Servicio al cliente.



Se puede ajustar el ángulo de inclinación de los ventiladores más pequeños hacia arriba o hacia abajo simplemente moviéndolos cuidadosamente hacia arriba o hacia abajo.

**ADVERTENCIA: para reducir el riesgo de daño corporal o algún daño al ventilador, el ventilador principal y los ventiladores más pequeños DEBEN ESTAR APAGADOS antes de ajustar los ventiladores más pequeños hacia arriba o hacia abajo.**

Se debe poner el ventilador en posición BAJA antes de poner el ventilador en reversa. Regular la rotación de aspas con el botón de reversa (↻) para que circule bien el aire dependiendo de las estaciones del año.

**NOTA:** si el control de pared/control remoto de mano interfiere con otros enseres, **cortar la electricidad** y luego repetir las instrucciones de la sección 11 en la página anterior.

## Localización de fallas.

**ADVERTENCIA:** no desconectar el suministro de fuerza eléctrica antes de hacer localización de fallas para cualquier problema de instalación eléctrica puede causar lesiones graves.

**Problema:** el ventilador no funciona.

**Soluciones:**

1. Inspeccionar el interruptor de pared del ventilador/control de pared.
2. Verificar la instalación eléctrica del control de pared (uso opcional).
3. Verificar la instalación eléctrica del ventilador.
4. Es posible que no tuvo éxito el proceso de aprendizaje entre el ventilador, el control remoto de mano y, si aplica, el control de pared y que no se activó el código. Desconectar la electricidad y repetir las instrucciones de la sección 11, página 9.
5. Averiguar que la luz roja se prende en el control remoto de mano cuando se oprima un botón, lo cual significa que sirve la batería.

**Problema:** el juego de luz (opcional) no se ilumina.

**Soluciones:**

1. Inspeccionar el interruptor de pared del ventilador/control de pared.
2. Verificar que se instalaron correctamente las bombillas.
3. Verificar que se hizo correctamente la conexión de cables en la cubierta decorativa.
4. Asegurarse de que se conectaron bien las conexiones molex en el conector para el juego de luz.
5. Es posible que no tuvo éxito el proceso de aprendizaje entre el ventilador, el control remoto de mano y, si aplica, el control de pared y que no se activó el código. Desconectar la electricidad y repetir las instrucciones de la sección 11, página 9.

**Problema:** el ventilador funciona pero la luz no (si aplica).

**Soluciones:**

1. Verificar que se instalaron correctamente las bombillas.
2. Verificar que se hizo correctamente la conexión de cables en la cubierta decorativa.
3. Reemplazar bombillas defectuosas con el mismo tipo de bombilla.
4. Asegurarse de que se conectaron bien las conexiones molex en el conector para el juego de luz.

**Problema:** no funcionan el ventilador ni la luz con el control de pared (opcional)/control remoto de mano.

**Soluciones:**

1. Averiguar la carga de la batería en el control remoto de mano.
2. Es posible que no tuvo éxito el proceso de aprendizaje entre el ventilador, el control remoto de mano y, si se aplica, el control de pared y que no se activó el código. Desconectar la electricidad y repetir las instrucciones de la sección 11, página 9.
3. Si se está usando el control de pared opcional, verificar si aún sirve la batería en el control de pared.

**Problema:** el ventilador se tambalea.

**Soluciones:**

1. Averiguar que se apretó (apretaron) bien el (los) tornillo(s) de fijación en el cuello de la unidad del motor.
2. Averiguar que se apretó bien el tornillo de fijación en la bola que sirve para colgar.

## Garantía.

GARANTIA LIMITADA DE POR VIDA DE CRAFTMADE™: CRAFTMADE garantiza este ventilador al comprador original de grupo familiar para uso interior con las siguientes condiciones:

**GARANTIA DE 1 AÑO:** CRAFTMADE reemplazará o reparará cualquier ventilador que tenga funcionamiento deficiente debido a defectos en los materiales o trabajo manual. Comunicarse con el Servicio al cliente de CRAFTMADE al **1-800-486-4892** para acordar el reenvío del ventilador. Devolver el ventilador, con los gastos de envío prepagados, a Craftmade. Nosotros repararemos o reemplazaremos el ventilador y pagaremos los gastos de envío de regreso.

**GARANTIA DE 5 AÑOS:** CRAFTMADE reemplazará o reparará sin costo al comprador original, cualquier motor de ventilador que no funcione de manera satisfactoria a causa de uso normal.

**DEVOLVER EL MOTOR SOLAMENTE,** los gastos de envío prepagados, a Craftmade. Nosotros repararemos el motor al comprador o le enviaremos uno de reemplazo y Craftmade pagará los gastos de envío de regreso. **GARANTIA LIMITADA DE 6 AÑOS hasta DE POR VIDA:** CRAFTMADE reparará el ventilador, sin costo al comprador original por el coste laboral, si el motor del ventilador no funciona satisfactoriamente a causa del uso normal. Las piezas que se utilizan en hacer la reparación serán facturadas al comprador a los precios prevaletientes en el momento de la reparación.

El comprador original será responsable de todos los gastos incurridos en sacar, reinstalar y enviar el producto para reparación.

Esta garantía no se aplica cuando el ventilador tenga daños por abuso mecánico, físico, eléctrico o por agua resultando en su mal funcionamiento. Se exenta específicamente el deterioro en el acabado u otras partes debido al tiempo o exposición al aire marino bajo esta garantía.

Ni Craftmade ni el fabricante se harán responsables por lo que pasa por una instalación inadecuada o el uso impropio de este producto. La compañía no se hará responsable en ningún caso de ningún daño emergente por incumplimiento de esta o cualquier otra garantía expresada o implicada en absoluto. Esta limitación de daños emergentes no se aplicará en estados donde es prohibido.

## Piezas de repuesto.

Para piezas o información, referirse al "Inventario de piezas" en la página 2.

Servicio al cliente de Craftmade

**1-800-486-4892**

[www.craftmade.com](http://www.craftmade.com)

# CRAFTMADE™