

Before you begin, read all warnings and installation instructions thoroughly.

Safety & Warnings

- Install in accordance with the National Electric Code, and local regulations.
- This product is intended to be installed and serviced by a qualified, licensed electrician.
- Only install compatible LED fixtures & controls. Only use copper wiring.
- Proper heat dissipation will prolong the working lifespan of this product. Install in a well-ventilated area free from explosive gases and vapors.
- Ensure applicable wire is installed between driver, fixture, and any controls in between. When choosing wire, factor in voltage drop, amperage rating, and type (in-wall rated, wet location rated, etc.). Inadequate wire installation could overheat wires, and cause a fire.
- Do not install if product has any visible damage.
- Do not modify or disassemble this product beyond instructions or the warranty will be void.

Quick Specs

| | |
|------------------------------|------------------------------|
| Input Voltage | 120-277VAC, 50/60Hz |
| Output Voltage | See driver label |
| Ambient Temperature † | -40°F ~ 140°F (-40°C ~ 60°C) |
| Minimum Load | None |
| Maximum Load | Refer to 'Derating Curve' |

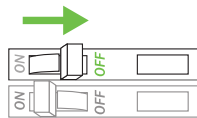
† Do not install product in an environment outside the listed ambient temperature.

Installation

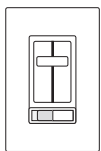
Prior to installation, ensure all components are a compatible system. Configure and pre-test your LED system prior to permanent installation to ensure all components are operating correctly. Install in accordance with the NEC and local regulations.

- 1 Turn OFF High Voltage AC Power** at the main breaker.

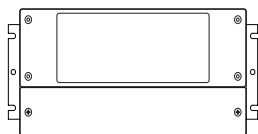
WARNING Shock Hazard. May result in serious injury or death. Turn off power at circuit breaker before installing this product.



- 2 Determine Locations to Install 3 Main Components.** Refer to the 'System Diagrams.'



1) Compatible Control



2) Driver



3) Fixture

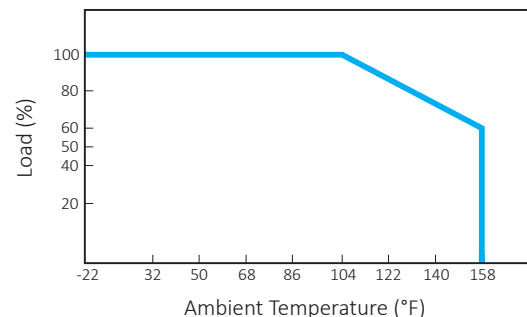
Ensure applicable wire is installed between driver, fixture, and any controls in between. When choosing wire, factor in voltage drop, amperage rating, and type (in-wall rated, wet location rated, etc.).

- 3 Mount Driver to Surface.** See 'Wiring Connections' for mounting holes. **Driver may be mounted in any orientation.**

- 4 Attach Lighting Load and Control. Only use copper wiring.** Refer to 'Wiring Connections', 'System Diagrams', and dimming control installation guides. **Ensure to install a compatible dimming control** listed on the 'OMNIDRIVE® X Dimming Control Compatibility List' available at www.DiodeLED.com.

- When installing in ambient temperatures that may reach over 100°F, refer to the 'Derating Curve' to avoid overheating and damage to the driver.

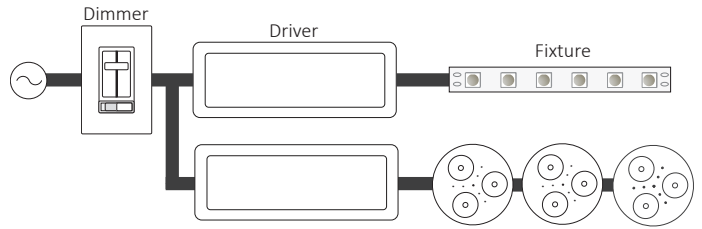
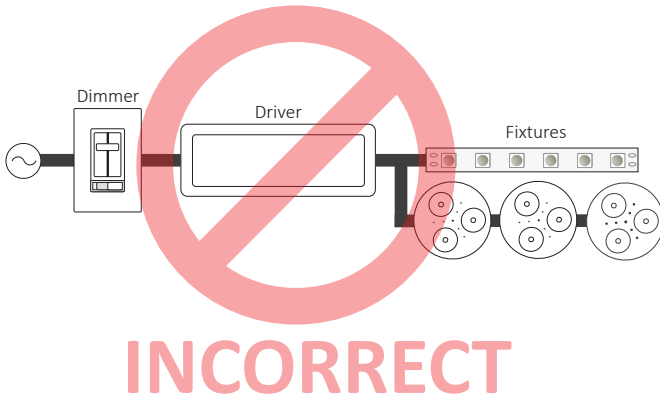
DERATING CURVE



IG120423-4.0

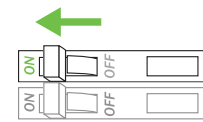
4 Continued

- b. **All Models** - Use applicable UL Listed wire nuts and junction box to secure wire connections.
- c. **Do not install different fixture types on the same power supply** as flickering and altered dimming range may occur.



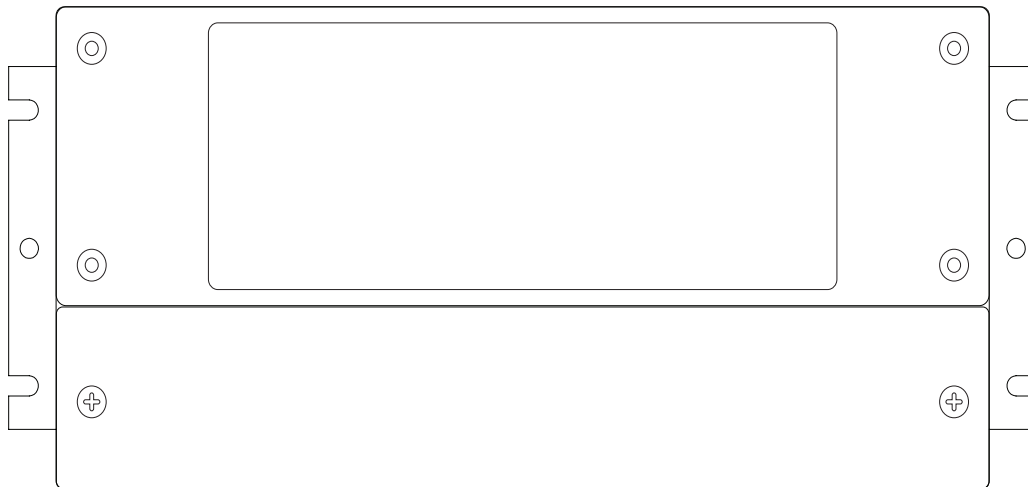
Different fixture types on separate drivers.

5 Install Additional Components, Verify connections, and Turn Main Power ON at Breaker.



If system remains unresponsive or is working improperly, turn OFF main power at breaker and verify all connections. Review the 'Wiring Connections', 'System Diagrams', and dimming control installation guides.

Mechanical Diagram

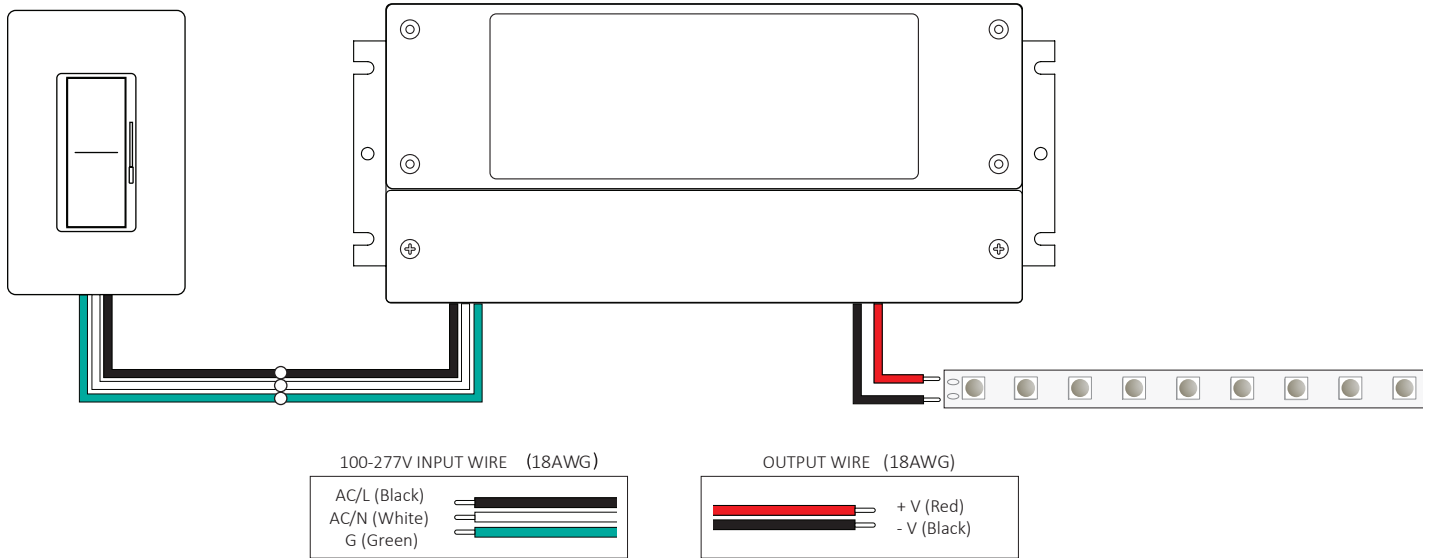


Wire caps must be removed from purple and pink wires for 0-10V installations.
Wire caps must remain on purple and pink wires for all other installations.

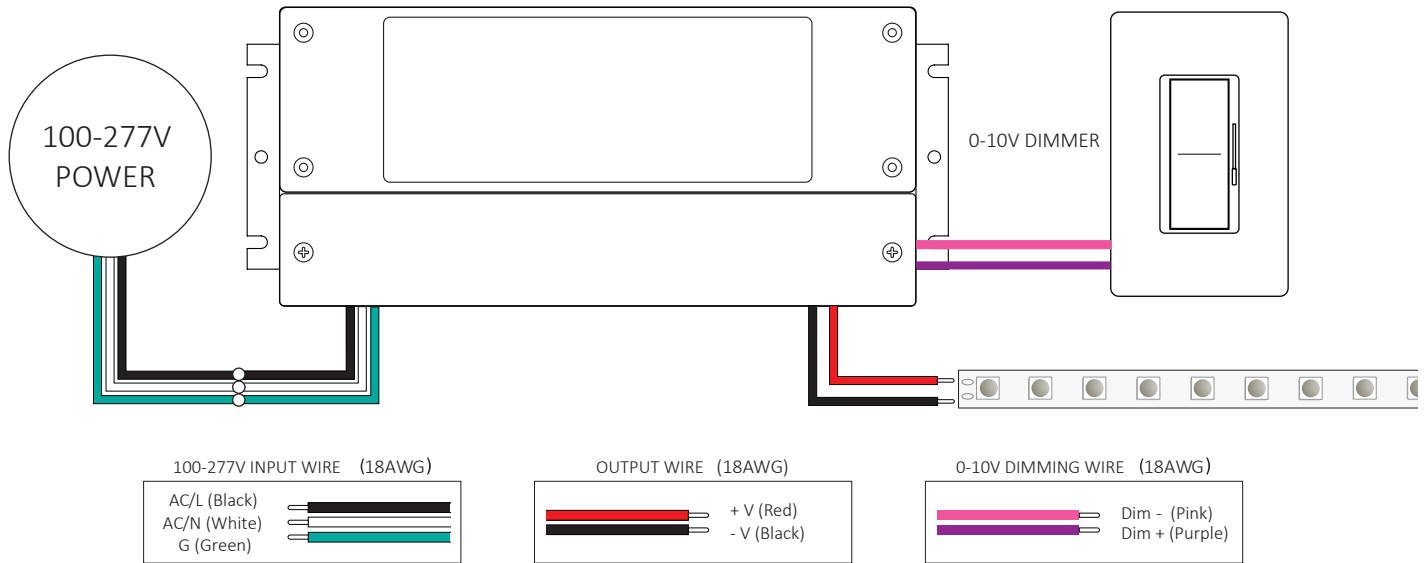
System Diagrams

The following diagrams are provided as example system designs. Always review each component installation guide for detailed and up-to-date wiring instructions. Install in accordance with NEC and local regulations.

OMNIDRIVE® X 2-Wire Dimming or ON/OFF Standard System Diagram



OMNIDRIVE® X 0-10V System Diagram (Dimmer with No Power Pack)



*If utilizing power pack, refer to third party manufacturer's Instruction Guide.

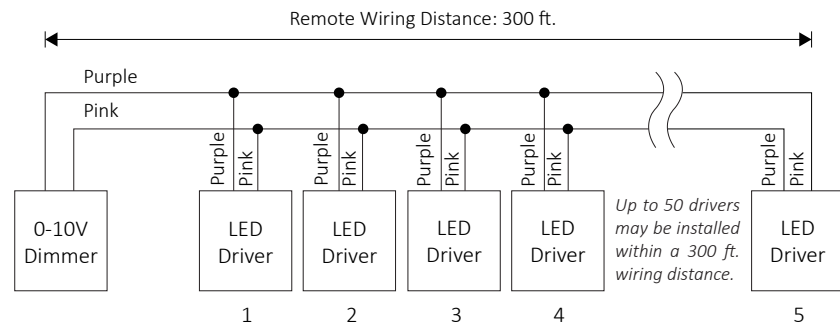
* Driver may not require a framed ground connection. Refer to driver specifications for additional information.

‡‡ See fixture specifications for maximum series run limits.

^ Install a compatible dimming control or switch. See the 'Electronic Dimmable Driver / Dimmer Compatibility List' for compatible dimming controls. See the dimming control manufacturer installation guide for complete wiring instructions.

System Diagrams Cont'd

0-10V Dimmable Driver Large Install System Diagram (Example)



Troubleshooting

| | |
|---|--|
| Fixture does not illuminate | <ul style="list-style-type: none"> See 'System Diagram', 'Wiring Connections' and installation guides of all components. Ensure the system is wired correctly and polarities are correct. Ensure a compatible constant voltage <i>dimnable</i> fixture is installed. Ensure the driver and fixture have the same voltage specifications (12V & 12V, or 24V & 24V). |
| Fixture does not dim | <ul style="list-style-type: none"> Ensure a compatible constant voltage <i>dimnable</i> fixture is installed. Ensure a compatible dimming control is installed and wired correctly. See 'OMNIDRIVE® X / Dimming Control Compatibility List'. |
| Different fixture types do not dim in sync | <ul style="list-style-type: none"> Different fixture types have different circuit designs and may react differently when dimmed. Ensure each fixture type is installed on a separate dimmable driver for best performance. |
| Fixture is quickly flashing or flickering | <ul style="list-style-type: none"> Verify a compatible dimming control is installed. If flickering is apparent at low light levels install a compatible trim-adjustable dimming control. Ensure a compatible constant voltage <i>dimnable</i> fixture is installed. Ensure different fixture types are not connected to a single driver. Different fixture types must be connected to individual drivers. Ensure all connections are properly secured. Ensure fixture is receiving the correct input voltage. |
| Fixture is slowly flashing | <ul style="list-style-type: none"> Ensure driver is not overloaded. An overloaded driver will cause the internal auto-reset to trip repeatedly. |
| Installation Trips Main Breaker | <ul style="list-style-type: none"> Check wiring for short circuit. If breaker continues to trip there may be a short in the driver. Call customer support for a replacement driver. |

Additional Resources

Visit the online product page at www.DiodeLED.com for additional product specifications & warranty information.

- **OMNIDRIVE® X Specification Sheet**
For full specifications.
- **OMNIDRIVE® X Dimming Control Compatibility List**
For compatible dimming controls.
- **Voltage Drop Charts**
Use to specify appropriate wire gauge for installation. Available at the 'Tools & Resources' page at www.DiodeLED.com.

QUESTIONS?

Visit www.DiodeLED.com or contact Customer Support at info@diodeled.com or 1.877.817.6028 Monday through Friday, 7:00am- 5:00pm PST.