

# ARCTIC EP68428

## PENDANTS

PROJECT



### SPECIFICATION DETAILS

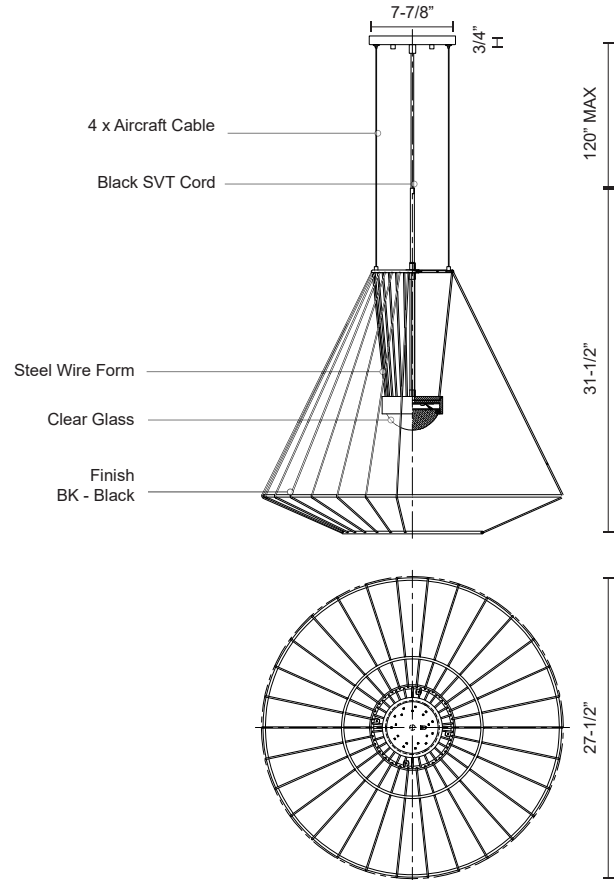
<b>Fixture Dimensions</b>	D27-1/2" x H31-1/2"
<b>Light Source</b>	AC LED Module
<b>Wattage</b>	32W
<b>Total Lumens</b>	2500lm
<b>Delivered Lumens</b>	514lm*
<b>Voltage</b>	120V
<b>Color Temperature</b>	3000K
<b>CRI (Ra)</b>	90CRI
<b>Optional Color Temps</b>	2700K - 5000K Available, Minimum Order Quantities Apply
<b>LED Rated Life</b>	50,000 hours
<b>Dimming</b>	100% - 10%, ELV Dimmer (Not Included)
<b>Glass Details</b>	Clear Convex Glass Lens
<b>Adjustable</b>	Yes
<b>Wire Length</b>	120" Max
<b>Wire Type</b>	Black SVT Cord, Clear Aircraft Cable
<b>Minimum Hang Height</b>	36"
<b>Sloped Ceiling Adaptable</b>	Yes
<b>Location</b>	Wet
<b>Canopy Dimensions</b>	D7-7/8" x H3/4"
<b>Paint Finish</b>	BK02
<b>Finish Option(s)</b>	Black

\* For custom options, consult factory for details.

\* For warranty information, please visit [www.kuzcolighting.com/warranty](http://www.kuzcolighting.com/warranty)

### DESCRIPTION

The Arctic collection uses basic wire rod as structure and aesthetic form. The seemingly continuous lines interconnect, creating a complex framework that encapsulates and emphasizes the light source. A substantial glass optic is the focal point of the lamp, augmented by the concentric rings of the lightweight latticework design.



# KUZCO

CANADA: 19054 28TH AVENUE - SURREY, BC V3Z 6M3

USA: 3035 E. LONE MOUNTAIN ROAD - LAS VEGAS, NV 89081

[WWW.KUZCOLIGHTING.COM](http://WWW.KUZCOLIGHTING.COM)

© 2018 KUZCO LIGHTING. ALL RIGHTS RESERVED.

### COMMENT

