

Installation Instructions

NLIN-PCC

Pendant & Power Mounting Kit for NLIN & NLINSW

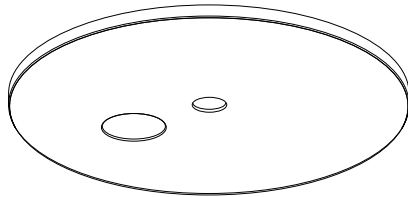
READ PRIOR TO ATTEMPTING INSTALLATION
ALWAYS TURN OFF MAIN POWER BEFORE INSTALLATION
INSTALLATION SHOULD BE CARRIED OUT BY YOUR LOCAL ELECTRICIAN

⚠ FIRE/ELECTRICAL HAZARD: INSTALL ACCORDING TO NATIONAL ELECTRIC CODE AND ANY APPLICABLE MUNICIPAL CODE REQUIREMENTS. - This equipment is intended to be installed only by qualified personnel. The installation must be made in accordance with the current edition to the National Electric Code and all applicable state and local building codes. The final installation must be approved by the appropriate qualified electrical/building inspector(s). Improper installation may result in a fire or electrical hazard. Be sure the electrical power to the circuit has been disconnected before installing this electrical system.

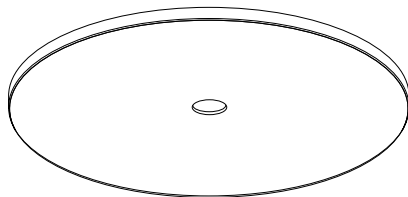
⚠ RISQUE D'INCENDIE / D'ÉLECTRICITÉ: INSTALLER SELON LE CODE ÉLECTRIQUE NATIONAL ET TOUTES LES EXIGENCES RELATIVES AU CODE MUNICIPAL APPLICABLE. - Cet équipement est destiné à être installé uniquement par du personnel qualifié. L'installation doit être faite conformément à l'édition actuelle du Code national de l'électricité et de tous les codes de construction locaux et nationaux applicables. L'installation finale doit être approuvée par un ou plusieurs inspecteurs qualifiés en électricité / bâtiment. Une installation incorrecte peut entraîner un incendie ou un risque électrique. Assurez-vous que l'alimentation électrique du circuit a été déconnectée avant d'installer ce système électrique.



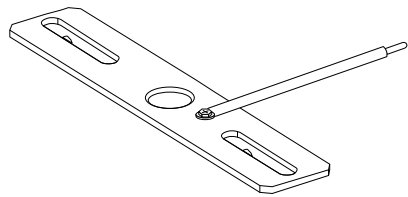
PACKAGING CONTENTS



(1) Power Feed Canopy



(1) Mounting Canopy



(1) Mounting Bracket



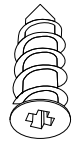
(2) 8-32 Machine Screws



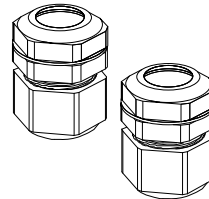
(1) Teeth Washer



(1) Mounting Screw



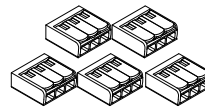
(1) Drywall Anchor



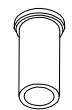
(2) Strain Reliefs



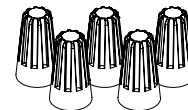
(1) Stud



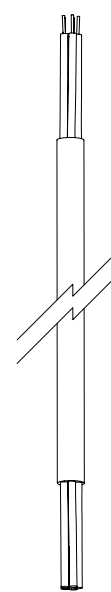
(5) 3-Pin Connectors



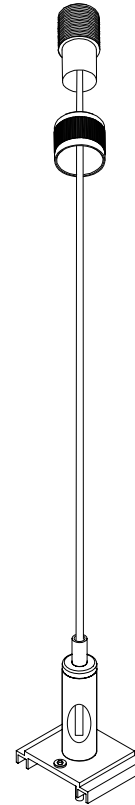
(1) Canopy Coupler



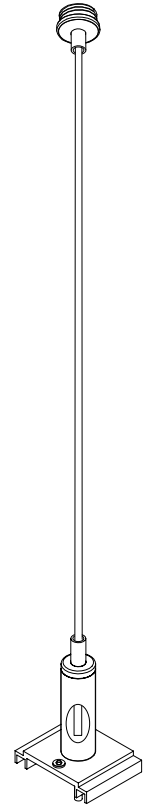
(5) Wire Nuts



(1) Power Cord

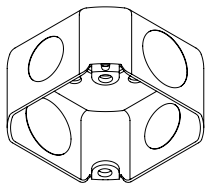


(1) Aircraft Cable for Power Feed Canopy

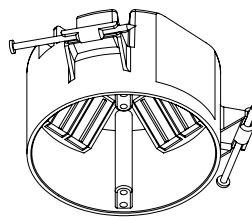


(1) Aircraft Cable for Mounting Canopy

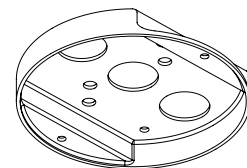
COMPATIBLE JUNCTION BOXES



4" Octagonal Junction Box



4" Round Junction Box



4" Pancake Junction Box

Installation Instructions

NLIN-PCC

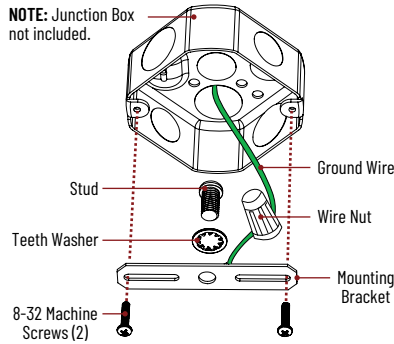
Pendant & Power Mounting Kit for NLIN & NLINSW

READ PRIOR TO ATTEMPTING INSTALLATION
ALWAYS TURN OFF MAIN POWER BEFORE INSTALLATION
INSTALLATION SHOULD BE CARRIED OUT BY YOUR LOCAL ELECTRICIAN

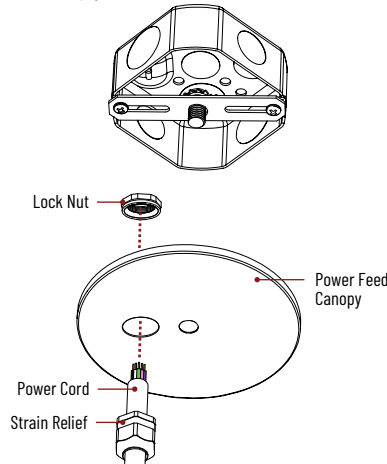
POWER FEED CANOPY ASSEMBLY

- 1** Place stud through teeth washer and thread to mounting bracket, tighten stud with a screwdriver. Connect ground wire on the bracket and secure the bracket to junction box with screws and wire nuts provided.

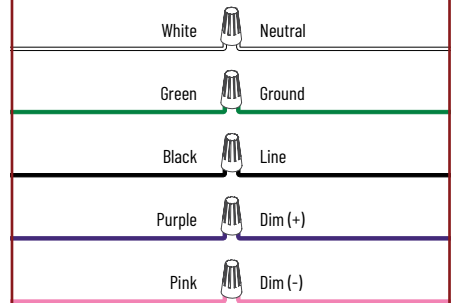
NOTE: Junction Box not included.



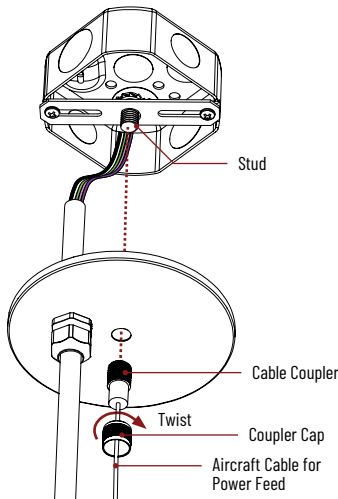
- 2** Insert the power cord through strain relief and power feed canopy, secure with lock nut. cut and strip wires to provide minimum 6" pigtail wires.



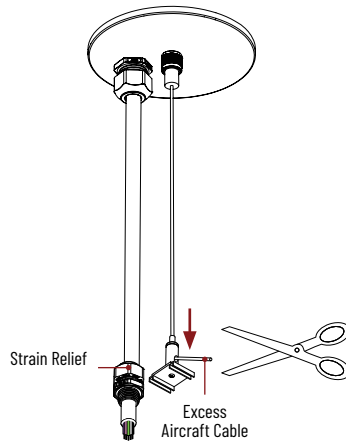
- 3** Use wire nuts to connect supply lead to power cord. Carefully place wires inside junction box.



- 4** Place canopy over stud and tighten cable coupler and coupler cap.



- 5** Insert the power cord through strain relief and make sure it is longer than aircraft cable. Depress cylinder on cable gripper to adjust aircraft cable length and cut excess cable.



- 6** Refer to NLIN or NLINSW instruction sheet for assembly to luminaire.



Scan or Click
for NLIN instruction



Scan or Click
for NLINSW instruction

Installation Instructions

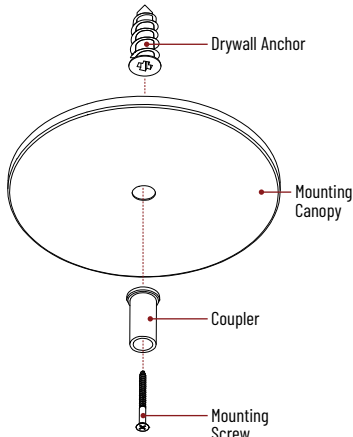
NLIN-PCC

Pendant & Power Mounting Kit for NLIN & NLINSW

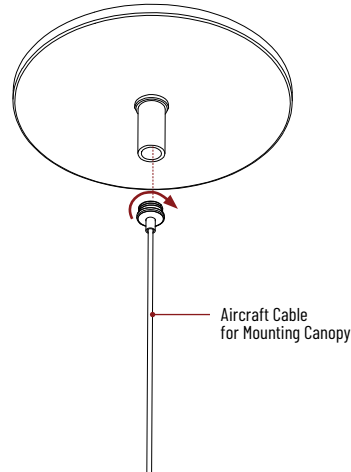
READ PRIOR TO ATTEMPTING INSTALLATION
ALWAYS TURN OFF MAIN POWER BEFORE INSTALLATION
INSTALLATION SHOULD BE CARRIED OUT BY YOUR LOCAL ELECTRICIAN

MOUNTING CANOPY INSTALLATION

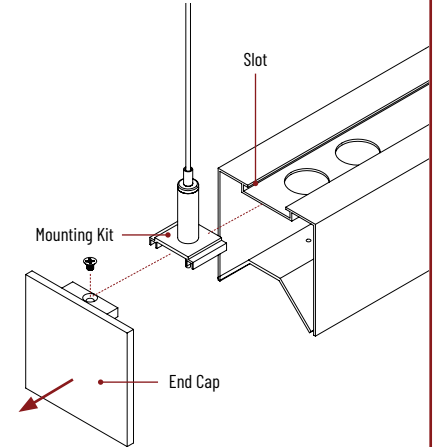
- 1** Mount canopy to surface by drilling screw through coupler and canopy. Drywall anchor provided, if needed.



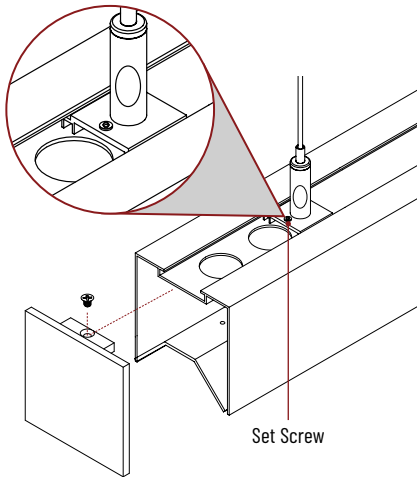
- 2** Attach aircraft cable to coupler.



- 3** Remove end cap from LED luminaire and insert mounting kit into slot.



- 4** Tighten set screw on mounting kit to secure location. Do not place set screw on the knockouts.



- 5** Depress cylinder on cable gripper to adjust aircraft cable length and cut excess cable.

