

# Installation Instructions

## NLINSW

### L-Line LED Direct Linear with Selectable Lumens & CCT

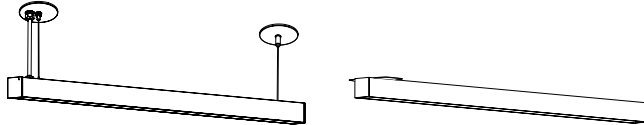
**READ PRIOR TO ATTEMPTING INSTALLATION**  
**ALWAYS TURN OFF MAIN POWER BEFORE INSTALLATION**  
**INSTALLATION SHOULD BE CARRIED OUT BY YOUR LOCAL ELECTRICIAN**

**⚠ FIRE/ELECTRICAL HAZARD:** INSTALL ACCORDING TO NATIONAL ELECTRIC CODE AND ANY APPLICABLE MUNICIPAL CODE REQUIREMENTS. - This equipment is intended to be installed only by qualified personnel. The installation must be made in accordance with the current edition to the National Electric Code and all applicable state and local building codes. The final installation must be approved by the appropriate qualified electrical/building inspector(s). Improper installation may result in a fire or electrical hazard. Be sure the electrical power to the circuit has been disconnected before installing this electrical system.

**⚠ RISQUE D'INCENDIE / D'ÉLECTRICITÉ:** INSTALLER SELON LE CODE ÉLECTRIQUE NATIONAL ET TOUTES LES EXIGENCES RELATIVES AU CODE MUNICIPAL APPLICABLE. - Cet équipement est destiné à être installé uniquement par du personnel qualifié. L'installation doit être faite conformément à l'édition actuelle du Code national de l'électricité et de tous les codes de construction locaux et nationaux applicables. L'installation finale doit être approuvée par un ou plusieurs inspecteurs qualifiés en électricité / bâtiment. Une installation incorrecte peut entraîner un incendie ou un risque électrique. Assurez-vous que l'alimentation électrique du circuit a été déconnectée avant d'installer ce système électrique.

#### TYPES OF INSTALLATION

**Note:** Luminaire's lens includes protective film, remove before installation.



##### Pendant Mounted

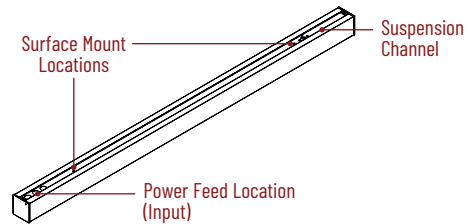
Single luminaire, go to page 2.  
Connecting multiple luminaires, go to page 7.

##### Surface Mounted

Single luminaire, go to page 4.  
Connecting multiple luminaires, go to page 9.

#### POWER FEED AND SUSPENSION POINTS

Insert mounting kits into the suspension channel.

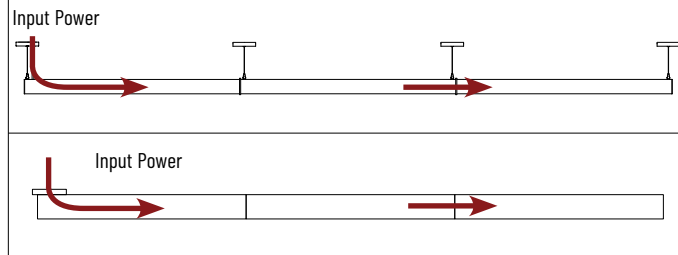


#### CONNECTING MULTIPLE LUMINAIRES

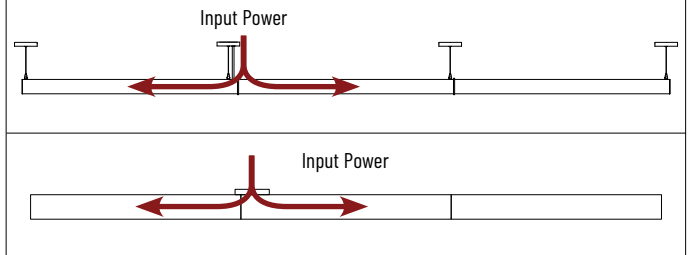
Determine type of system installation prior to mounting.

- LED system can be powered in a single direction with internal quick connects.
- LED system can be powered in multi-directions by feeding multiple luminaires on input side.

##### Single Direction Installation



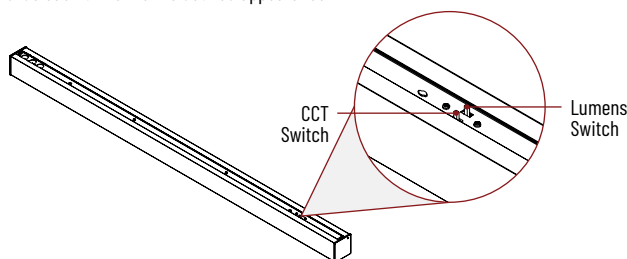
##### Multi-Direction Installation from Junction Box



#### CHANGING COLOR TEMPERATURE & LUMENS

**Note:** LED luminaires are preset at 3000K and highest lumen.

1. Before installing luminaires, determine color temperature and lumens.
2. Color temperature (CCT) and lumen switch is located on the top of each luminaire.
3. Slide each switch to the desired appearance.



# Installation Instructions

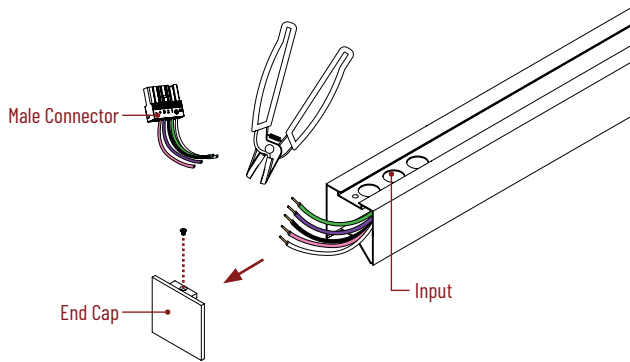
## NLINSW

### L-Line LED Direct Linear with Selectable Lumens & CCT

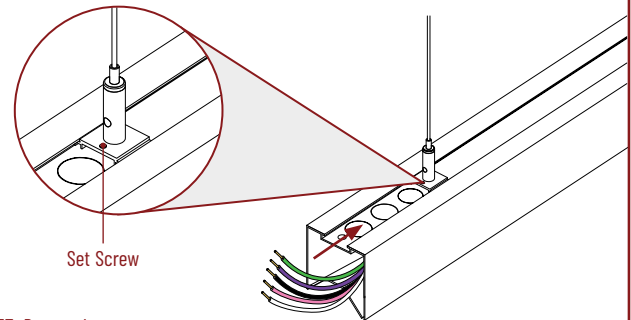
READ PRIOR TO ATTEMPTING INSTALLATION  
ALWAYS TURN OFF MAIN POWER BEFORE INSTALLATION  
INSTALLATION SHOULD BE CARRIED OUT BY YOUR LOCAL ELECTRICIAN

#### PENDANT MOUNTED: SINGLE LUMINAIRE INSTALLATION

- 1** Remove the end cap on the input side. Pull wires out of luminaire to cut off male connector & strip (5 wires).



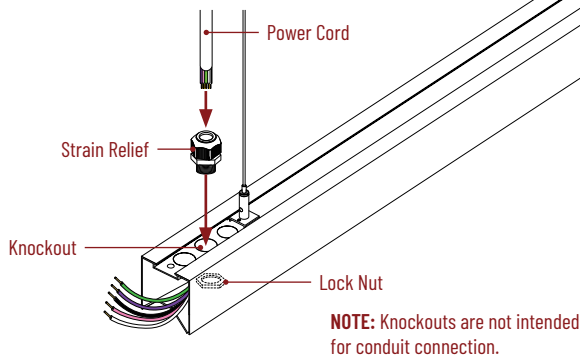
- 2** Use the aircraft cable for power feed canopy and slide the base plate along the suspension channel on top of the luminaire. Secure with set screw.



**NOTE:** Do not place set screw over the knockout.

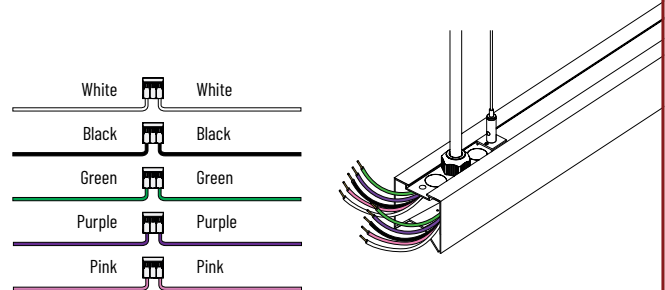
**REQUIRES:** NLIN-PCC (Ordered Separately)

- 3** Remove middle knockout. Insert the power cord through the strain relief and feed through the knockout. Secure with lock nut.

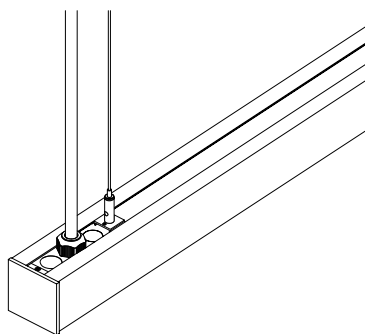


**NOTE:** Knockouts are not intended for conduit connection.

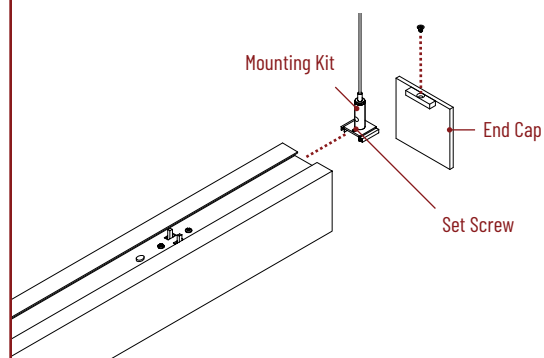
- 4** Use (5) three-pin connectors to connect wires to power cord.



- 5** Place wires inside the luminaire, replace end cap and screw.



- 6** Remove the end cap on the output side and insert mounting kit into channel. Tighten set screw on mounting kit to secure location.



# Installation Instructions

## NLINSW

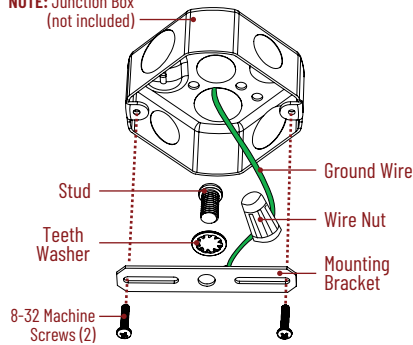
### L-Line LED Direct Linear with Selectable Lumens & CCT

READ PRIOR TO ATTEMPTING INSTALLATION  
ALWAYS TURN OFF MAIN POWER BEFORE INSTALLATION  
INSTALLATION SHOULD BE CARRIED OUT BY YOUR LOCAL ELECTRICIAN

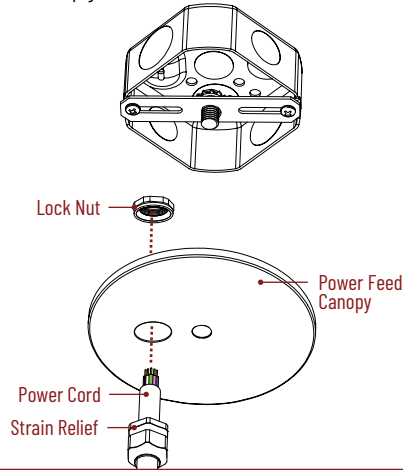
#### PENDANT MOUNTED: SINGLE LUMINAIRE INSTALLATION (CONTINUED)

- 7** Place stud through teeth washer, thread to mounting bracket, and tighten stud with a screwdriver. Connect ground wire on the bracket and secure the bracket to junction box with screws and wire nuts provided.

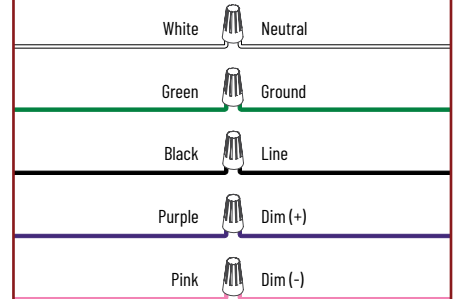
**NOTE:** Junction Box (not included)



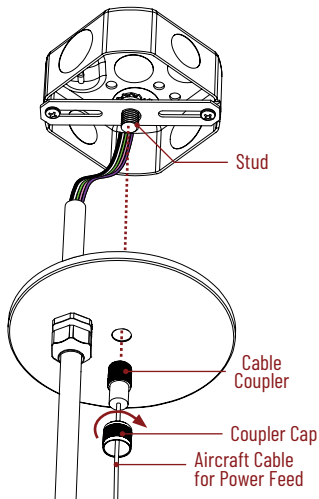
- 8** Insert the power cord through strain relief, power feed canopy, and secure with lock nut. Cut and strip wires to provide minimum 6" pigtail wires.



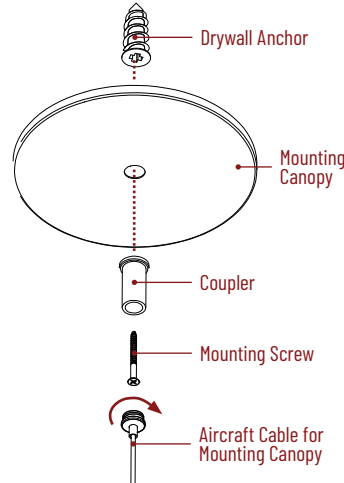
- 9** Use wire nuts to connect supply feed to power cord. Carefully place wires inside junction box.



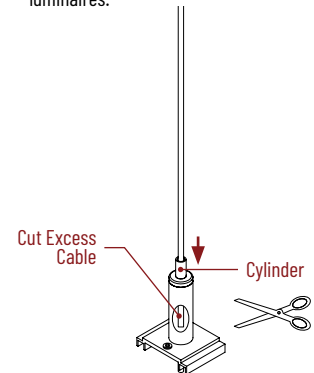
- 10** Place canopy over stud, tighten cable coupler and coupler cap.



- 11** Mount the screw through coupler and canopy (use drywall anchor if needed). Attach aircraft cable for mounting canopy.



- 12** Depress cylinder on cable grippers to adjust aircraft cable length and cut excess cable. Installation is complete for single luminaire, proceed to page 6 for connecting multiple luminaires.



**NOTE:** Make sure power cord is longer than the aircraft cable.

# Installation Instructions

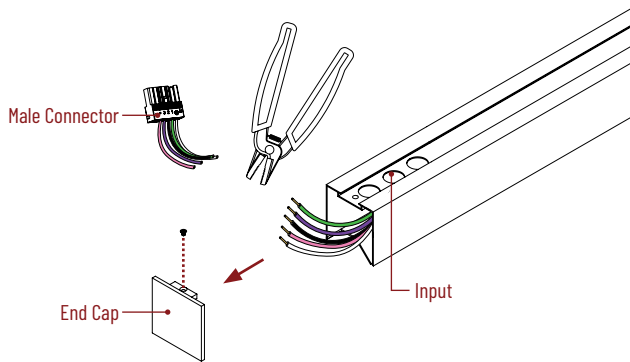
## NLINSW

### L-Line LED Direct Linear with Selectable Lumens & CCT

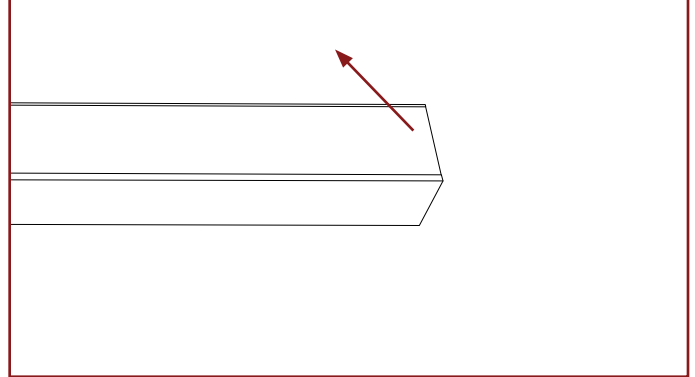
READ PRIOR TO ATTEMPTING INSTALLATION  
ALWAYS TURN OFF MAIN POWER BEFORE INSTALLATION  
INSTALLATION SHOULD BE CARRIED OUT BY YOUR LOCAL ELECTRICIAN

#### SURFACE MOUNTED: SINGLE LUMINAIRE INSTALLATION

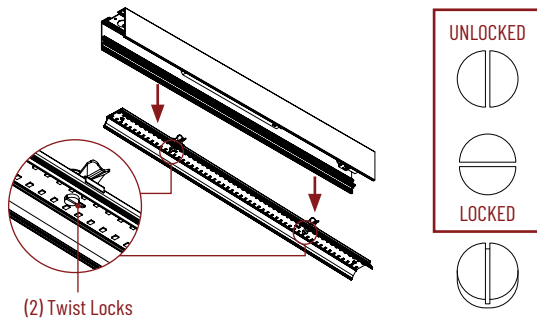
- 1** Remove the end cap on the input side. Pull wires out of luminaire to cut off male connector & strip wires.



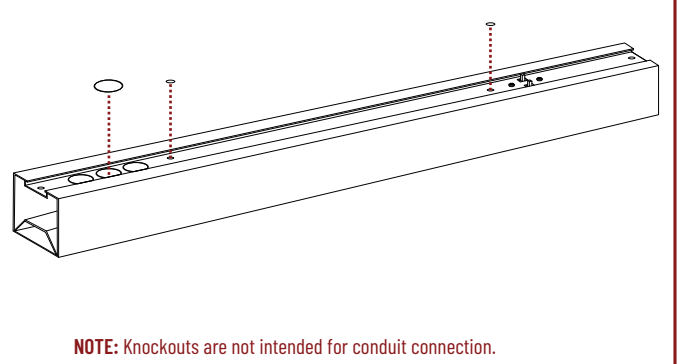
- 2** Pull the lens carefully to remove starting from one end to the other. Remember to remove the protective plastic film.



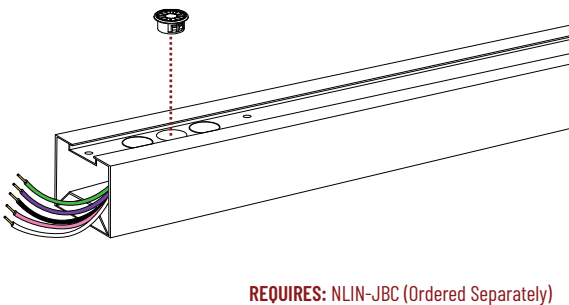
- 3** Using a flat head screwdriver, turn (2) twist locks 90° to release LED board from the luminaire body. The diagram on the right shows the unlocked position.



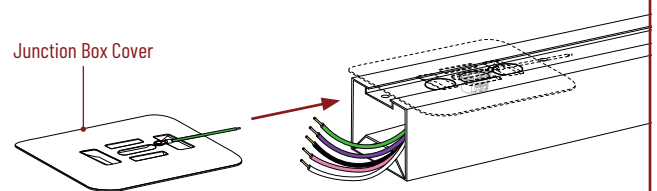
- 4** Remove middle knockout and two smaller knockouts.



- 5** Insert bushing into middle knockout.



- 6** Slide the junction box cover through suspension channel and over bushing.



# Installation Instructions

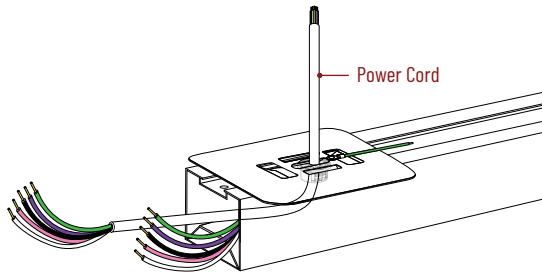
## NLINSW

### L-Line LED Direct Linear with Selectable Lumens & CCT

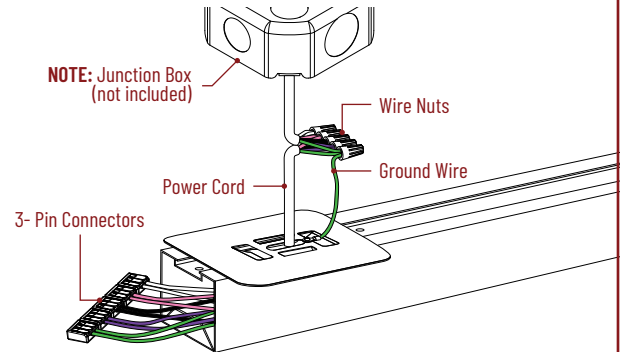
READ PRIOR TO ATTEMPTING INSTALLATION  
ALWAYS TURN OFF MAIN POWER BEFORE INSTALLATION  
INSTALLATION SHOULD BE CARRIED OUT BY YOUR LOCAL ELECTRICIAN

#### SURFACE MOUNTED: SINGLE LUMINAIRE INSTALLATION (CONTINUED)

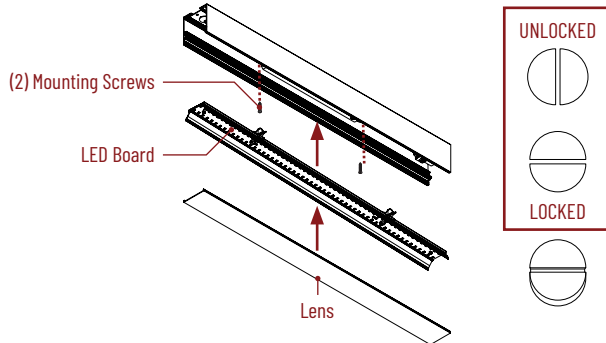
**7** Run the power cord through the junction box cover and bushing.



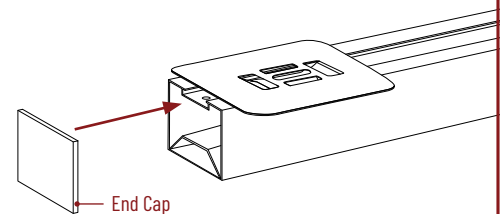
**8** Connect wires on luminaire to the wires on power cord using 3-pin connectors. Use wire nuts to connect supply feed to power cord and ground wire.



**9** Carefully insert mounting screws through the smaller knockout holes and mount the luminaire to ceiling (use drywall anchors, if needed). Replace LED board by returning lock screw to locked position, then replace the lens.



**10** Tuck wires into luminaire. Use the plastic end caps (provided with NLIN-JBC) to close the ends. Installation is complete for single luminaire, refer to page 6 for connecting multiple luminaires.



# Installation Instructions

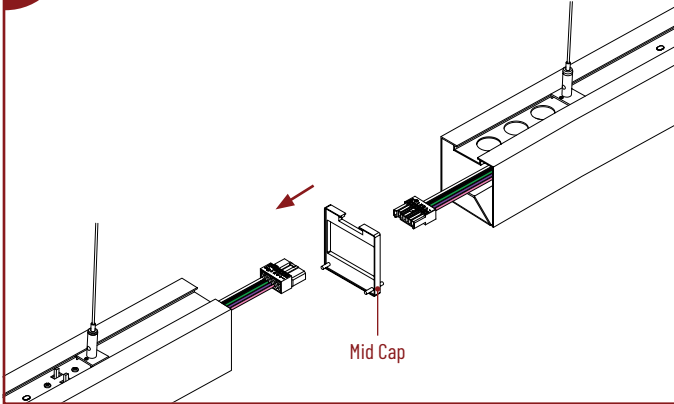
NLINSW

L-Line LED Direct Linear with Selectable Lumens & CCT

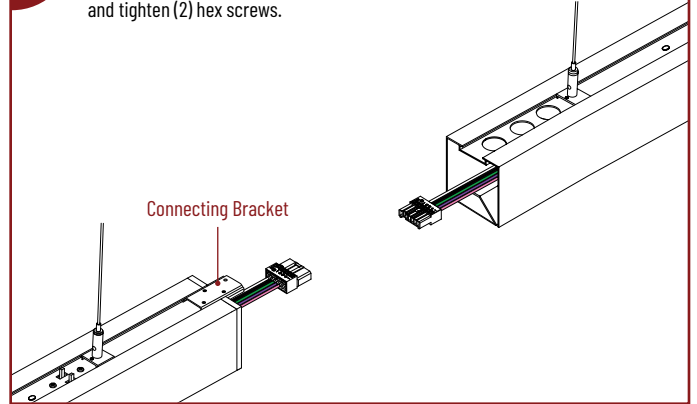
READ PRIOR TO ATTEMPTING INSTALLATION  
ALWAYS TURN OFF MAIN POWER BEFORE INSTALLATION  
INSTALLATION SHOULD BE CARRIED OUT BY YOUR LOCAL ELECTRICIAN

## CONNECTING MULTIPLE LUMINAIRES

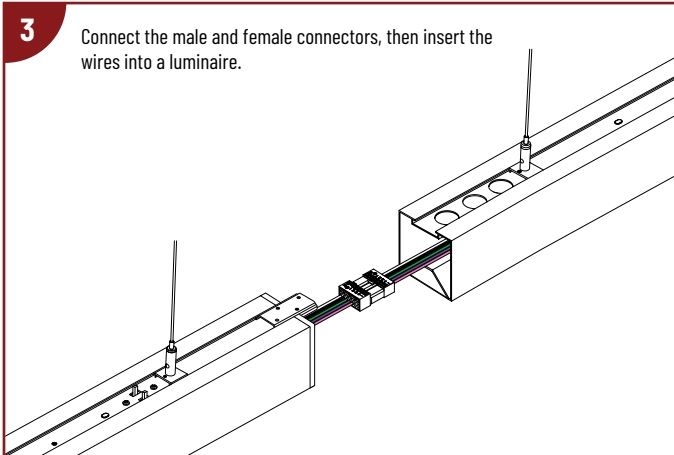
**1** Remove the end caps on both luminaires and place a mid cap on one luminaire.



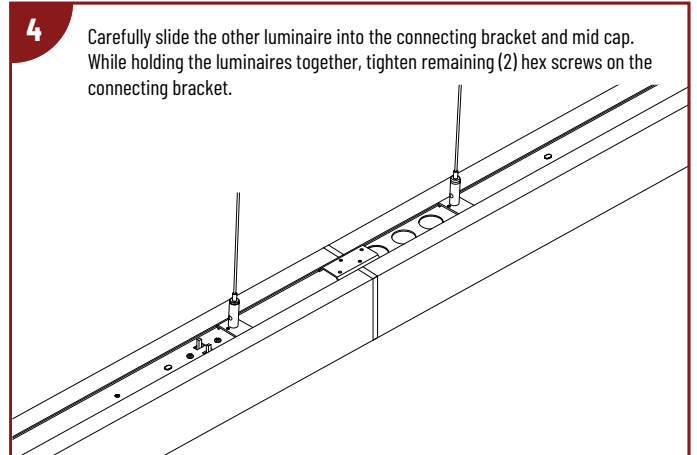
**2** Slide the connecting bracket through the mid cap slot and tighten (2) hex screws.



**3** Connect the male and female connectors, then insert the wires into a luminaire.



**4** Carefully slide the other luminaire into the connecting bracket and mid cap. While holding the luminaires together, tighten remaining (2) hex screws on the connecting bracket.



# Installation Instructions

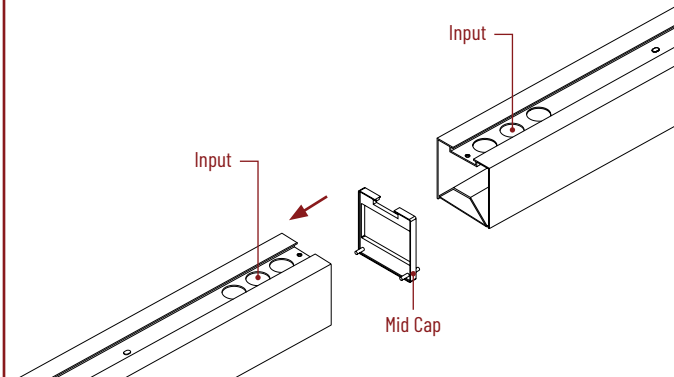
## NLINSW

### L-Line LED Direct Linear with Selectable Lumens & CCT

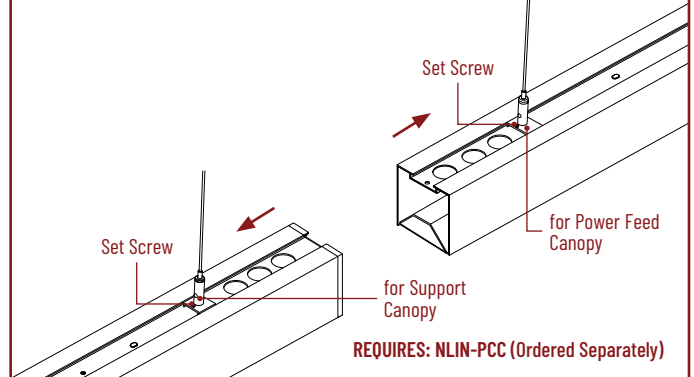
READ PRIOR TO ATTEMPTING INSTALLATION  
ALWAYS TURN OFF MAIN POWER BEFORE INSTALLATION  
INSTALLATION SHOULD BE CARRIED OUT BY YOUR LOCAL ELECTRICIAN

#### PENDANT MOUNTED: MULTIPLE LUMINAIRES CONNECTED AT POWER FEED

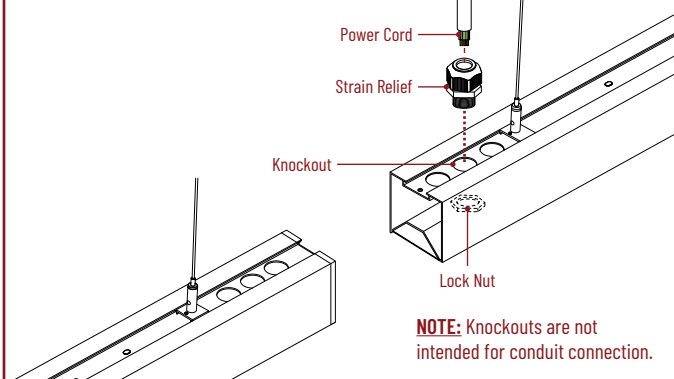
- 1** Remove the end caps from both luminaires at the input side and place a mid cap on one luminaire.



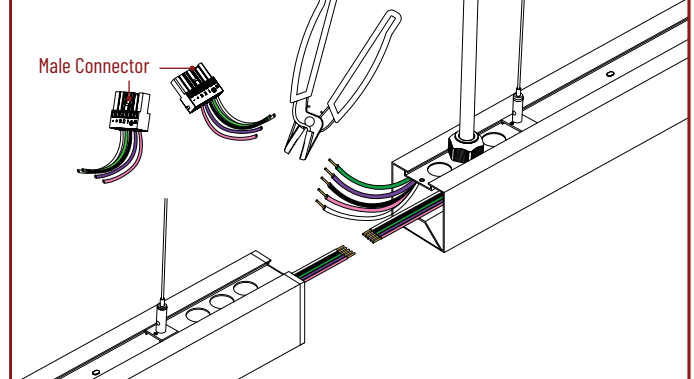
- 2** Install aircraft cable for power feed and support canopies in both luminaires. Secure with set screws. (Note: Do not place set screw over knockout)



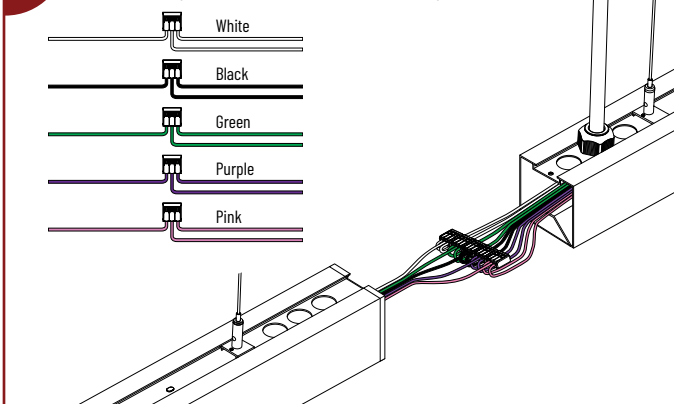
- 3** Remove middle knockout. Insert the power cord through the strain relief and feed through the knockout. Secure with lock nut.



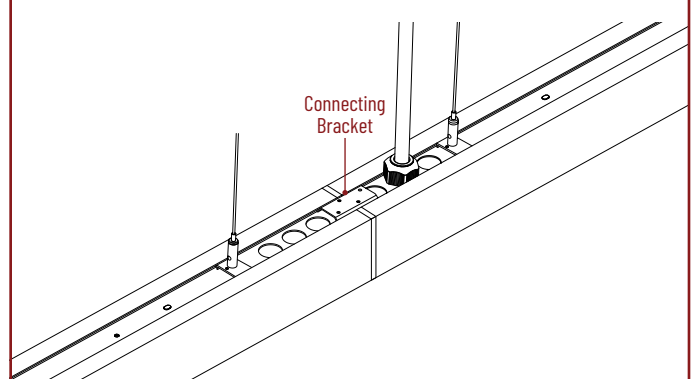
- 4** Pull wires out of both luminaires to cut off male connectors and strip wires to provide minimum 0.43" (11mm).



- 5** Use (5) three-pin connectors to connect wires to power cord.



- 6** Carefully insert all the wires between the luminaires and install the connecting bracket. Secure with (4) hex screws.



# Installation Instructions

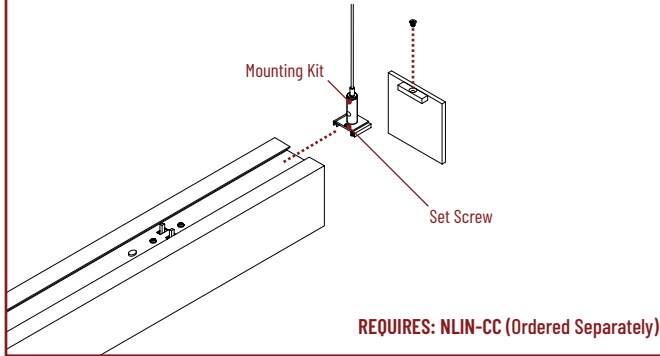
## NLINSW

### L-Line LED Direct Linear with Selectable Lumens & CCT

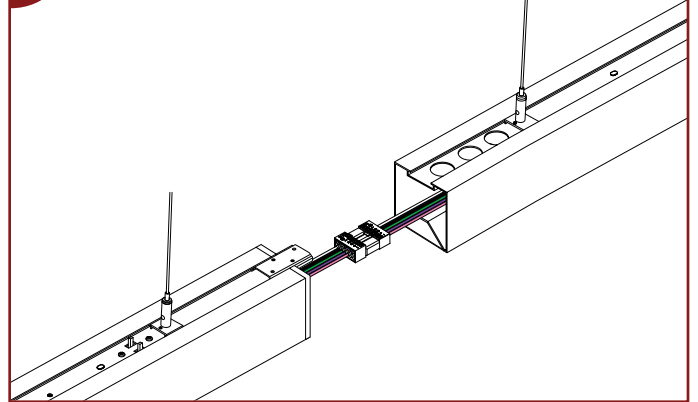
READ PRIOR TO ATTEMPTING INSTALLATION  
ALWAYS TURN OFF MAIN POWER BEFORE INSTALLATION  
INSTALLATION SHOULD BE CARRIED OUT BY YOUR LOCAL ELECTRICIAN

#### PENDANT MOUNTED: MULTIPLE LUMINAIRES CONNECTED AT POWER FEED (CONTINUED)

**7** Install remaining mounting kits on luminaires (two supports per luminaire) and secure with set screw.



**8** Connect additional luminaires using internal connectors (if needed).





# Installation Instructions

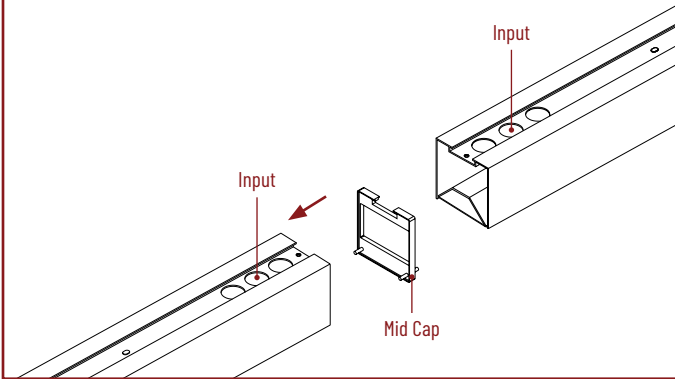
## NLINSW

### L-Line LED Direct Linear with Selectable Lumens & CCT

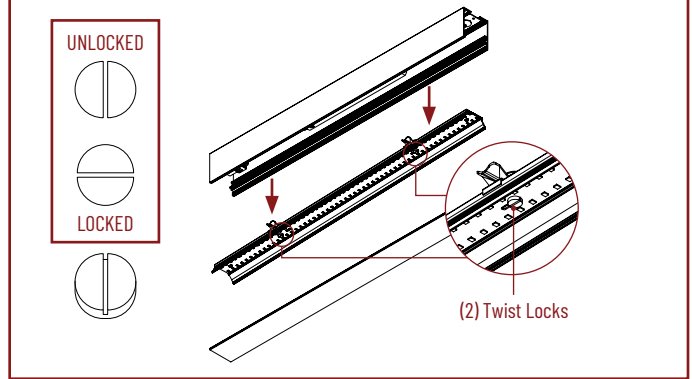
READ PRIOR TO ATTEMPTING INSTALLATION  
ALWAYS TURN OFF MAIN POWER BEFORE INSTALLATION  
INSTALLATION SHOULD BE CARRIED OUT BY YOUR LOCAL ELECTRICIAN

#### SURFACE MOUNTED: MULTIPLE LUMINAIRES CONNECTED AT POWER FEED

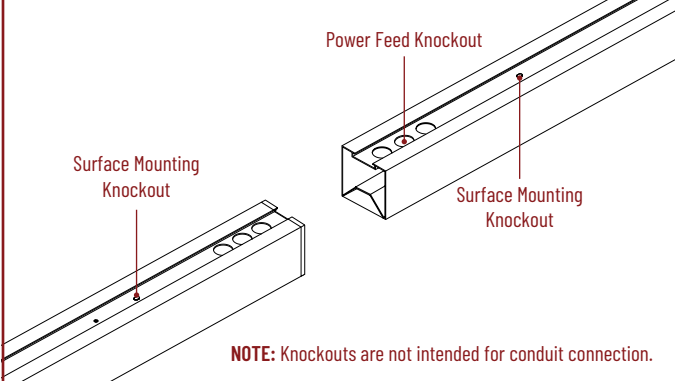
- 1** Remove the end caps from both luminaires at the input side and place a mid cap on one luminaire.



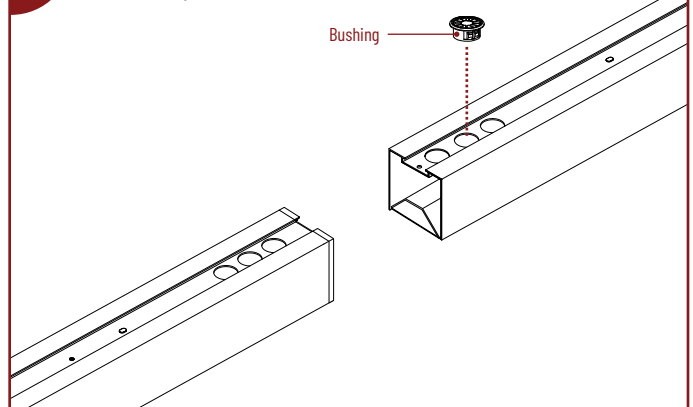
- 2** Remove lenses, then using a flat head screwdriver, turn (2) twist locks 90° to release LED board from the luminaire body as shown in diagram on the left.



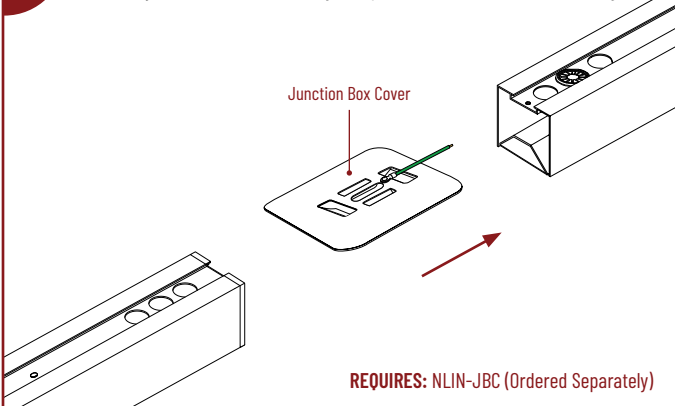
- 3** Remove middle knockout on power feed location and smaller knockouts for surface mounting.



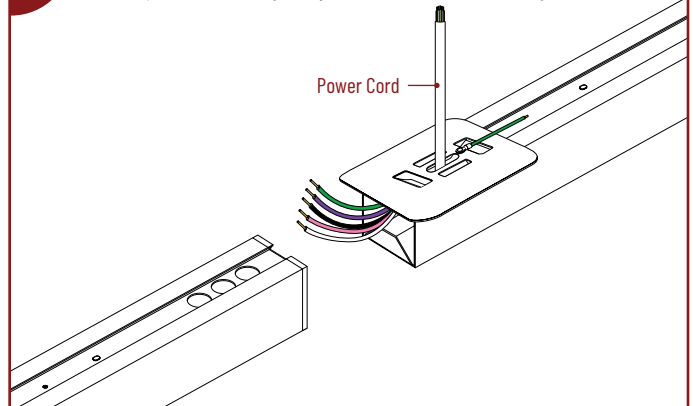
- 4** Insert bushing into middle knockout.



- 5** Slide the junction box cover through suspension channel and over bushing.



- 6** Run the power cord through the junction box cover and bushing.



# Installation Instructions

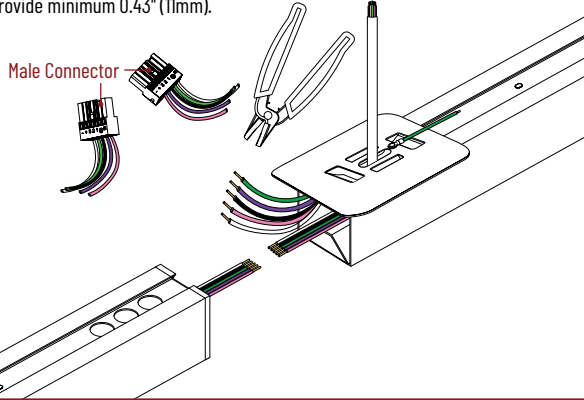
## NLINSW

### L-Line LED Direct Linear with Selectable Lumens & CCT

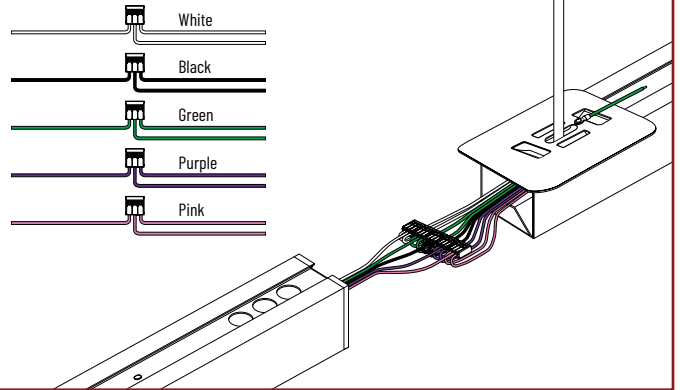
READ PRIOR TO ATTEMPTING INSTALLATION  
ALWAYS TURN OFF MAIN POWER BEFORE INSTALLATION  
INSTALLATION SHOULD BE CARRIED OUT BY YOUR LOCAL ELECTRICIAN

#### SURFACE MOUNTED: MULTIPLE LUMINAIRES CONNECTED AT POWER FEED (CONTINUED)

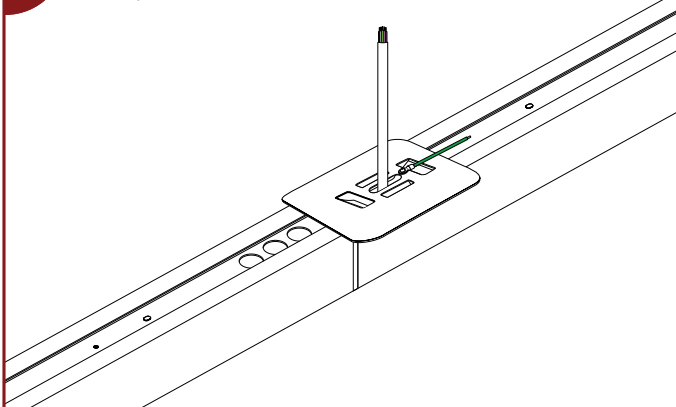
**7** Pull wires out of both luminaires to cut off male connectors and strip wires to provide minimum 0.43" (11mm).



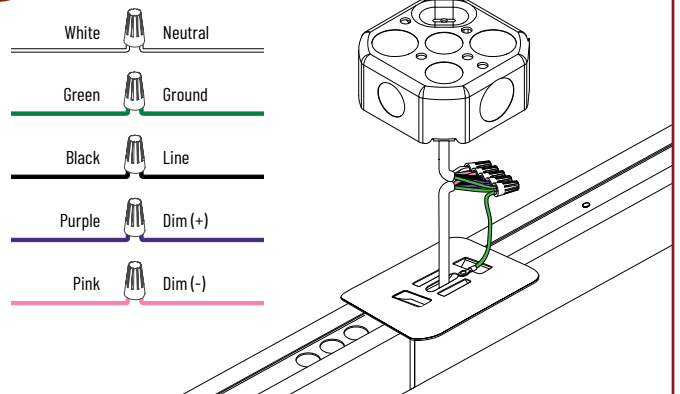
**8** Use (5) three-pin connectors to connect wires to power cord.



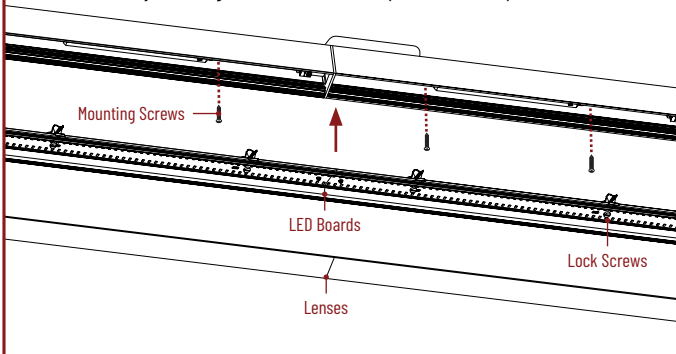
**9** Carefully insert all the wires between the luminaires and attach luminaires.



**10** Use wire nuts to connect supply feed to power cord and ground wire.



**11** Carefully insert mounting screws through the smaller knockout holes and mount the luminaires to the ceiling (use drywall anchors, if needed). Replace LED boards by returning lock screws to locked position, then replace the lenses.



**12** Connect additional luminaires using the male connectors from the knockout side to the internal female connectors (if needed).

