



535 PRINCELAND COURT  
CORONA CA 92879  
P: 951.340.2475  
JSASSOCIATES.COM

PRODUCT ID

**JA37**

ITEM NO.: JA37

ITEM NAME: POWER OUTLET

DIM: 8-5/8"L x 2-1/8"W x 2-1/8"D

QTY: /// EA

MATERIAL: PLASTIC

FINISH: BLACK

///

///

MISC. :

UL or ETL LISTED.

///

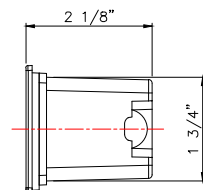
///

///

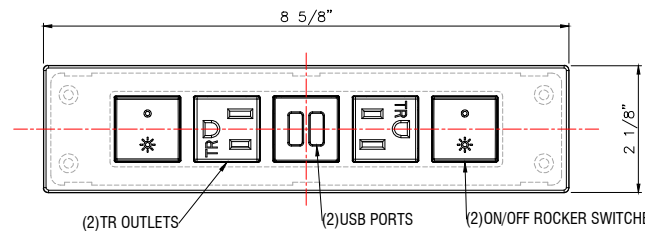
DATE : 2023 / 05 / 26

REV	DATE	SCALE
X		1 :1
		DESIGNED BY
		RD

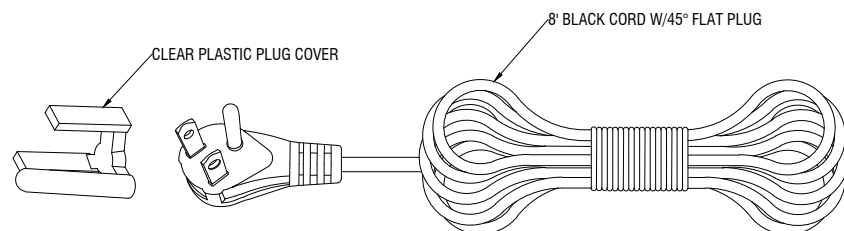
APPROVED BY	DATE



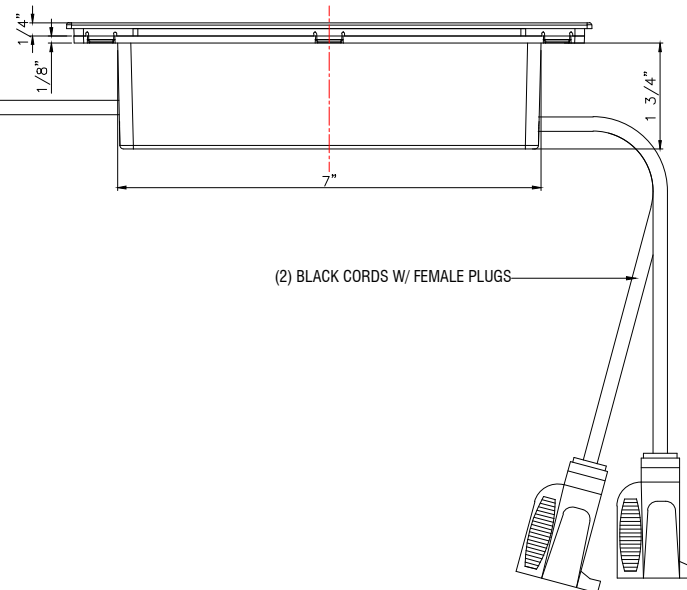
SIDE VIEW



TOP VIEW



FRONT VIEW



(2) BLACK CORDS W/ FEMALE PLUGS