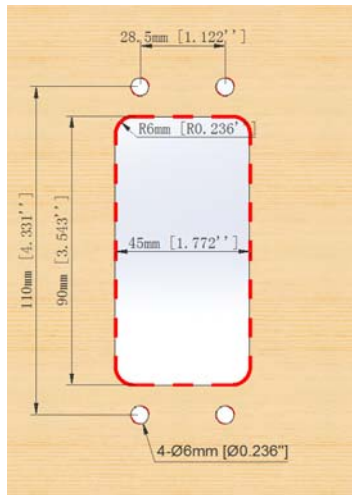


INSTALLATION INSTRUCTIONS

OUTLET LIST:

CAUTION: To make sure all parts has been found before discarding carton and packing materials.

- A. Machine Screws
- B. Mounting Tabs
- C. Nuts
- D. Self-tapping Screws
- E. Cover



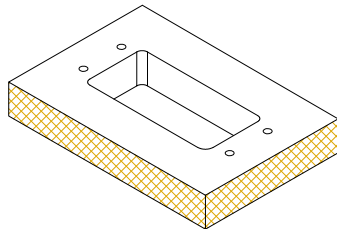
Cutout Size

(Note: Please cut the hole according to the specific size of each style)

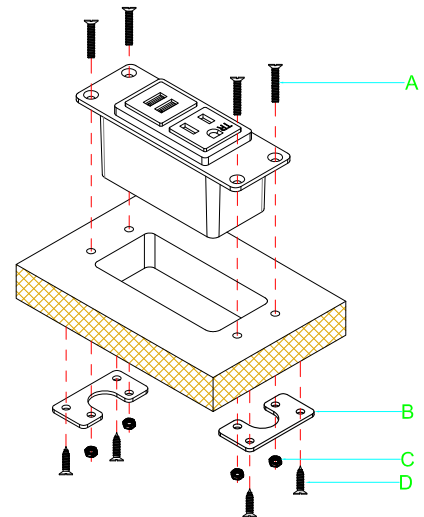
IMPORTANT GENERAL SAFEGUARDS:

CAUTION: To avoid the possibility of electrical shock, turn off power supply before installation.

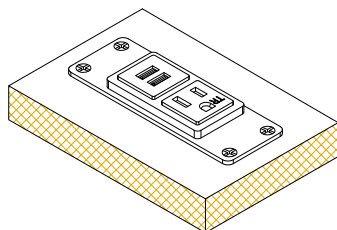
- Review the diagrams thoroughly before installation.
- All electrical connections must be in accordance with the National Electric Committee and local codes. A qualified electrician should do all the work.
- Do not let power supply touch hot surfaces.
- The use of accessory equipment not recommended by the original manufacturer may cause an unsafe condition.
- Do not use this equipment for other than intended use.
- All servicing should be performed by qualified personnel only.
- This product must be installed in accordance with the applicable installation codes and ordinances.



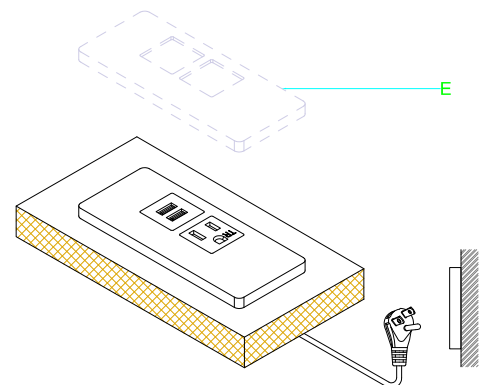
Step 1: Cut hole in wood for outlet.



Step 2: Insert outlet from top and slip the mounting tabs over the threaded studs.



Step 3: a. Screw the four nuts onto each of the four studs below the mounting tabs and tighten.
b. Tighten screws from the bottom of the mounting tabs to lock outlet in place.



Step 4: Attach the cover; Connect to power supply.