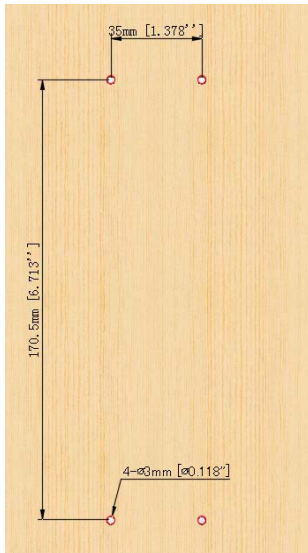


INSTALLATION INSTRUCTIONS

OUTLET LIST:

CAUTION: To make sure all parts has been found before discarding carton and packing materials.

A. Screws



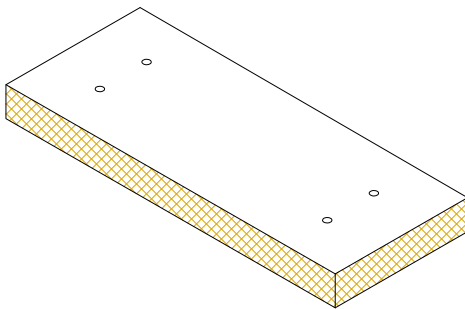
Cutout Size

(Note: Please cut the hole according to the specific size of each style)

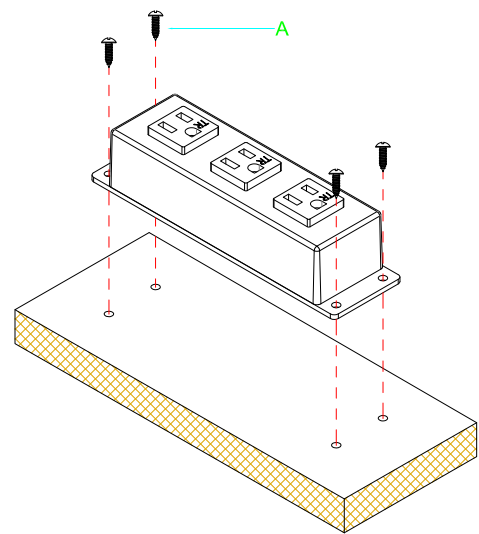
IMPORTANT GENERAL SAFEGUARDS:

CAUTION: To avoid the possibility of electrical shock, turn off power supply before installation.

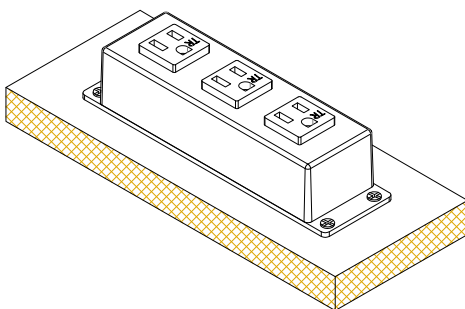
- Review the diagrams thoroughly before installation.
- All electrical connections must be in accordance with the National Electric Committee and local codes. A qualified electrician should do all the work.
- Do not let power supply touch hot surfaces.
- The use of accessory equipment not recommended by the original manufacturer may cause an unsafe condition.
- Do not use this equipment for other than intended use.
- All servicing should be performed by qualified personnel only.
- This product must be installed in accordance with the applicable installation codes and ordinances.



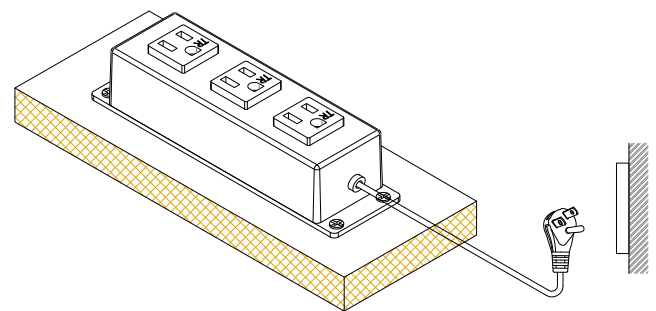
Step 1: Cut hole in wood for outlet.



Step 2: Insert outlet from top.



Step 3: Tighten screws to lock outlet in place.



Step 4: Connect to power supply.