

Installation Instructions

READ PRIOR TO ATTEMPTING INSTALLATION
ALWAYS TURN OFF MAIN POWER BEFORE INSTALLATION
INSTALLATION SHOULD BE CARRIED OUT BY YOUR LOCAL ELECTRICIAN

Dual Color (Red/Green) LED Exit Sign with Battery Backup

⚠ IMPORTANT - This equipment is intended to be installed only by qualified personnel. The installation must be made in accordance with the current edition of the National Electrical Code and all applicable state and local building codes. The final installation must be approved by the appropriate, qualified electrical/building inspector(s). Improper installation may result in a fire or electrical hazard. Be sure the electrical power to the circuit has been disconnected before installing this electrical system.

⚠ IMPORTANT - Cet équipement est destiné à être installé uniquement par du personnel qualifié. L'installation doit être faite conformément à l'édition actuelle du Code national de l'électricité et à tous les codes de construction locaux et nationaux applicables. L'installation finale doit être approuvée par un ou plusieurs inspecteurs qualifiés en électricité / bâtiment. Une installation incorrecte peut entraîner un incendie ou un risque électrique. Assurez-vous que l'alimentation électrique du circuit a été déconnectée avant d'installer ce système électrique.

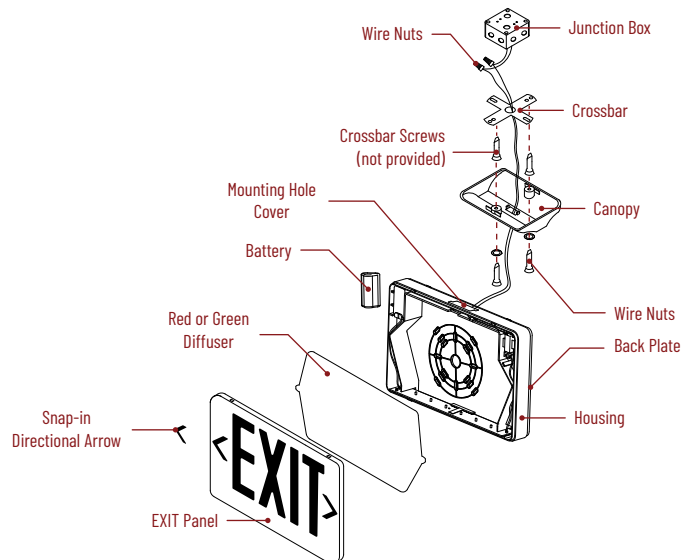
IMPORTANT SAFEGUARDS:

READ AND FOLLOW ALL SAFETY INSTRUCTIONS

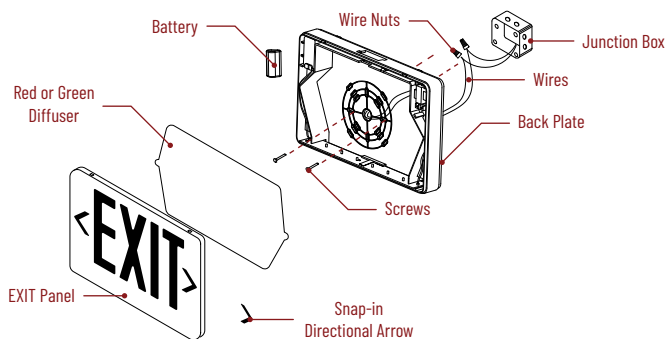
1. Do not use outdoors.
2. Do not mount near gas or electric heaters.
3. Do not let power cords touch hot surfaces.
4. Use caution when servicing batteries. Avoid possible shorting.
5. Equipment should be mounted in locations and at heights where it will not readily be subjected to tampering by unauthorized personnel.
6. The use of accessory equipment not recommended by the manufacturer may cause an unsafe condition.
7. Do not use this equipment for other than intended use.
8. Before wiring to AC service, turn off AC power at fuse or circuit breaker.
9. Disconnect AC power and unplug battery before servicing.
10. When relamping, only use lamps specified in the fixture.
11. Battery in this unit may not be fully charged. After the AC service is supplied to unit, let the battery charge up for at least 24 hours before performing any tests.
12. Connect the battery before the AC power is supplied to unit.

CEILING MOUNTING INSTALLATION

1. Attach crossbar to junction box. Set the crossbar so that the longer blade is touching the junction box.
2. Open the EXIT housing. Feed the transformer input leads through top hole, being sure to secure wire into wire guides molded at the edges of the sign.
3. Attach sign to canopy by inserting canopy into sign at an angle, then twist to secure.
4. Make the proper supply lead connections. If using 120VAC, connect the black and white leads to the building utility. If using 277VAC, connect the orange and white leads to the building utility. Cap off unused wire. If the unit is self-powered, be sure to snap battery connector together.
5. Push excess wire into junction box and align holes in canopy with those in crossbar. Using screws supplied, tighten canopy to crossbar so that canopy is securely fastened and tight against ceiling.
6. Snap in arrows to EXIT panel as required. Then snap EXIT panel to housing, top first and then bottom.



BACK MOUNTING INSTALLATION



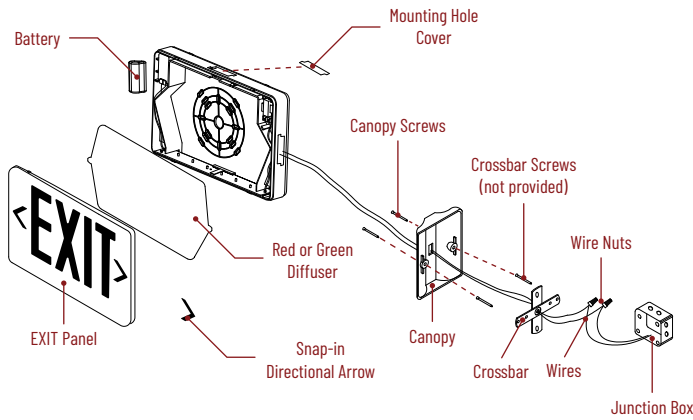
1. Drill $\frac{1}{4}$ " holes into oblong knock outs on back plate that correspond to junction box holes to be used.
2. Feed the transformer input leads through center hole and make the proper connections. If using 120VAC, connect the black and white leads to the building utility. If using 277VAC, connect the orange and white leads to the building utility. Cap off unused wire. If the unit is self-powered, be sure to snap battery connector together.
3. Feed excess wire into junction box and secure back plate to junction box.
4. Snap in arrow(s) on EXIT panel as required. Then snap EXIT panel to housing, top first and then bottom.

Installation Instructions

READ PRIOR TO ATTEMPTING INSTALLATION
ALWAYS TURN OFF MAIN POWER BEFORE INSTALLATION
INSTALLATION SHOULD BE CARRIED OUT BY YOUR LOCAL ELECTRICIAN

Dual Color (Red/Green) LED Exit Sign with Battery Backup

SIDE MOUNTING

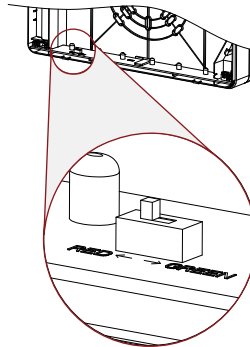
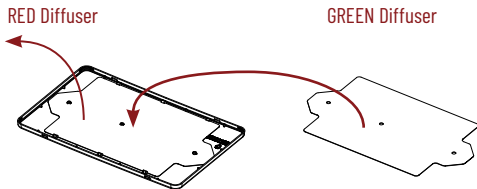


1. Attach crossbar to junction box. Set the crossbar so that the longer blade is touching the junction box.
2. Open the EXIT housing. Feed the transformer input leads through side hole, being sure to secure wire into wire guides molded at the edges of the sign.
3. Attach sign to canopy by inserting canopy into sign at an angle, then twist to secure.
4. Make the proper supply lead connections. If using 120VAC, connect the black and white leads to the building utility. If using 277VAC, connect the orange and white leads to the building utility. Cap off unused wire. If the unit is self-powered, be sure to snap battery connector together.
5. Push excess wire into junction box and align holes in canopy with those in crossbar. Using screws supplied, tighten canopy to crossbar so that canopy is securely fastened and tight against wall.
6. Snap in arrows to EXIT panel as required. Then snap EXIT panel to housing, top first and then bottom.

CHANGING SIGN COLOR

NOTE: The default setting is red, but can easily be changed to green lettering.

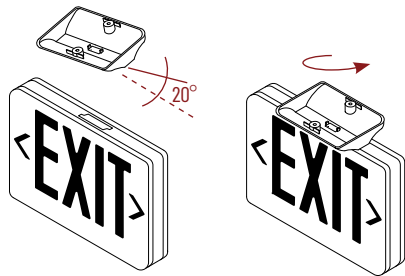
1. Remove the red diffuser
2. Replace with green diffuser
3. Put cover back on housing



Slide switch to the opposite side when using for green sign.

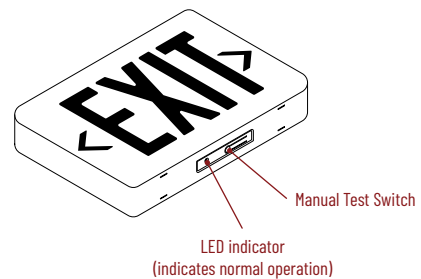
ASSEMBLING CANOPY TO HOUSING

Insert canopy into housing at a 20° angle and twist. Quick snap is now firmly locked.



CAUTION: Trying to remove canopy after it is locked in place may cause damage.

MANUAL TESTING



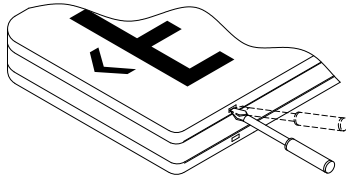
Installation Instructions

READ PRIOR TO ATTEMPTING INSTALLATION
ALWAYS TURN OFF MAIN POWER BEFORE INSTALLATION
INSTALLATION SHOULD BE CARRIED OUT BY YOUR LOCAL ELECTRICIAN

Dual Color (Red/Green) LED Exit Sign with Battery Backup

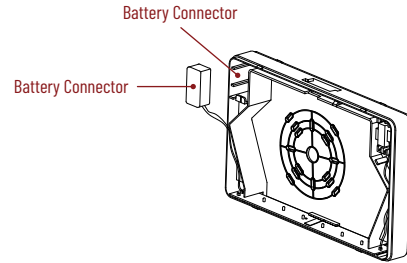
OPENING EXIT PANEL

Use flat blade screwdriver to open. Insert screwdriver into the slot and gently pry off the panel.

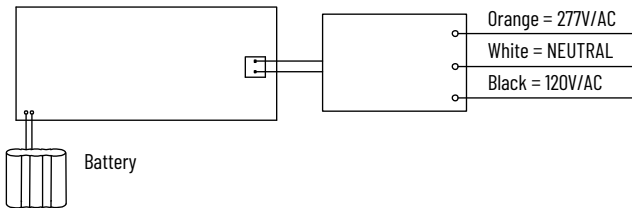


NOTE

Battery connector is shipped disconnected. It must be connected at installation. AC only item no battery backup.



WIRING DIAGRAM



1. Connect the white wire to neutral.
2. If using 120V, connect the black wire to hot lead.
If using 277V, connect the orange wire to hot lead.
3. Cap the unused lead.