

Installation Instructions

URGENT: READ PRIOR TO ATTEMPTING INSTALLATION

EXIT LIGHTING - RECESSED ADJUSTABLE LED EDGE-LIT EXIT SIGN

ALWAYS TURN OFF MAIN POWER BEFORE INSTALLATION

| Description | Rating |
|--|-----------|
| Recessed Adjustable LED Edge-Lit Exit Sign, Battery Backup | 120V/277V |

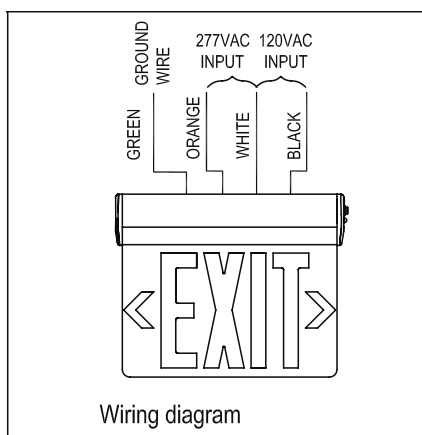
INSTALLATION SHOULD BE CARRIED OUT BY YOUR LOCAL ELECTRICIAN.

Caution:

- All electrical connections must be in accordance with local codes, ordinances, and the National Electric Code. If you are unfamiliar with these methods of installing electrical wiring, refer to the services of a qualified licensed electrician.
- Before starting the installation, disconnect the power by turning off the circuit breaker or by removing the appropriate fuse at the fuse box. Turning the power off using the light switch is not sufficient to prevent electrical shock.
- Do not use outdoor(s).
- Do not mount near gas or electric heaters.
- Use caution when servicing batteries. Battery acid can cause burns to skin and eyes. If acid is spilled on skin or in eyes, flush acid with fresh water and contact a physician immediately.
- Equipment should be mounted in a location and at a height where it will not readily be subject to tampering by unauthorized personnel.
- The use of accessory equipment that is not recommended by the manufacturer may cause an unsafe condition.
- Do not use this equipment for other than intended use.
- All servicing should be performed by qualified personnel only.

Electrical Instructions (Save these instructions for future use):

1. Make sure power is off.
2. Fix chevron(s) as required to EXIT panel and remove the template from the panel. (Note: When chevron(s) are being taped on the EXIT panel, you cannot use it again on you remove it. Please be careful before removing chevron).
3. Use "holding wire/hook" to help support weight of exit sign while wiring the unit.
4. Remove junction box screws and cover plate.
5. Feed AC supply leads through rubber "O" ring on junction box. Make the proper supply lead connections. If using 120VAC, connect the black and white leads to the building utility. If using 277VAC, connect the orange and white leads to the building utility. Cap off unused wires. In all cases, use standard wire nuts in connection to leads. (See Wiring Diagram)
6. Place all wires carefully inside junction box and replace junction box plate and screws.
7. Snap EXIT sign into spring bracket inside housing.
8. Mount cover plate and adjust EXIT sign to desired angle from 0° to 90°.



Installation Instructions:

1. Loosen screws on the right plastic cover and open it. (See Fig. 1 on Page 2)
2. Pull test switch and LED indicator, disconnect the connectors.
3. Install right plastic cover back, make sure the test switch female connector and LED indicator male connector go through right cover hole. (See Fig. 2 on Page 2)
4. Install test switch (with male connector on trim plate. (See Fig. 3 on Page 2)
5. Install Edge-Lit assembly to recessed kit by spring bracket. (See Fig. 4)
6. Connect test switch (female connector) and LED indicator onto trim plate, then install trim plate to recessed kit. (See Fig. 5 on Page 2)
7. Rotate the panel 90° for wall mounting (See Fig. 6 on Page 2)



Installation Instructions

URGENT: READ PRIOR TO ATTEMPTING INSTALLATION

EXIT LIGHTING - RECESSED ADJUSTABLE LED EDGE-LIT EXIT SIGNS

ALWAYS TURN OFF MAIN POWER BEFORE INSTALLATION

| Description | Rating |
|--|-----------|
| Recessed Adjustable LED Edge-Lit Exit Sign, Battery Backup | 120V/277V |

INSTALLATION SHOULD BE CARRIED OUT BY YOUR LOCAL ELECTRICIAN.

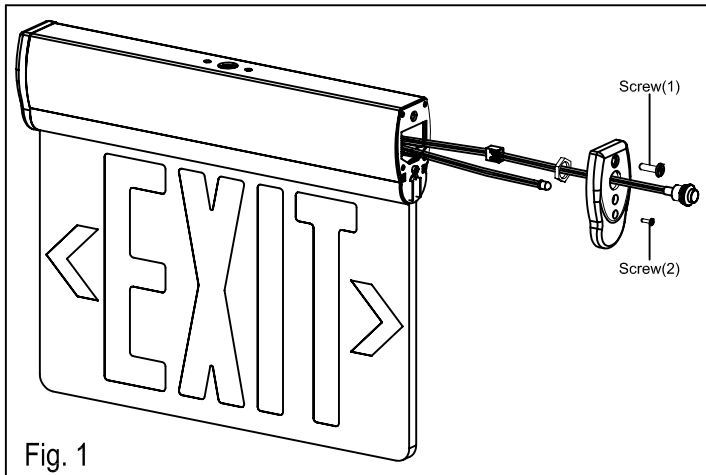


Fig. 1

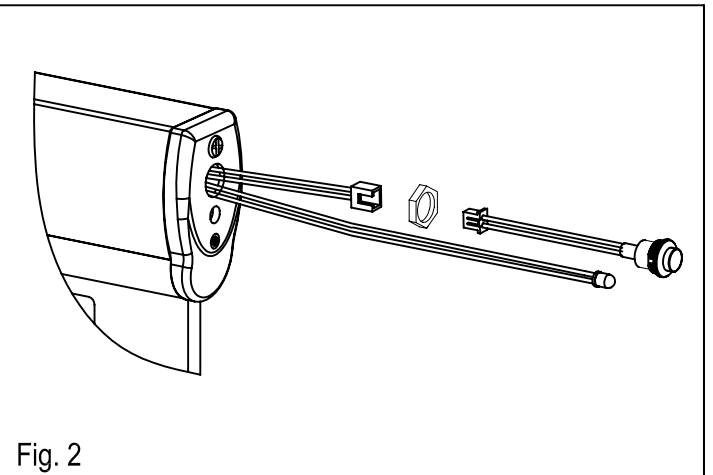


Fig. 2

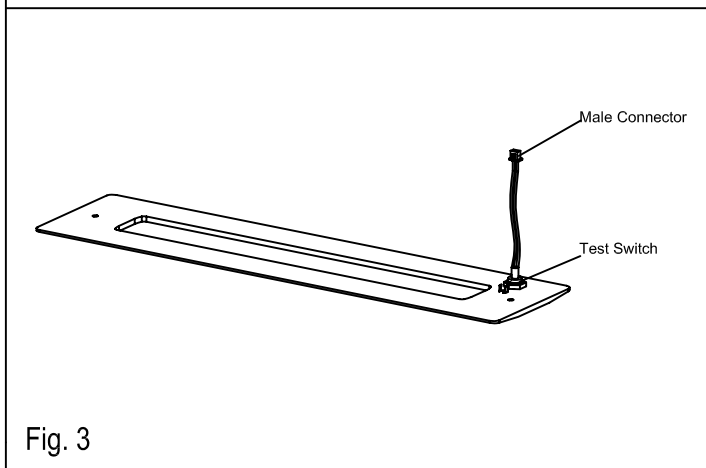


Fig. 3

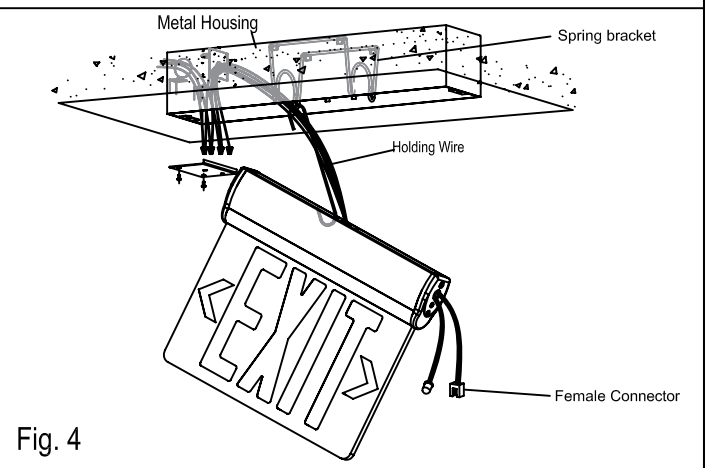


Fig. 4

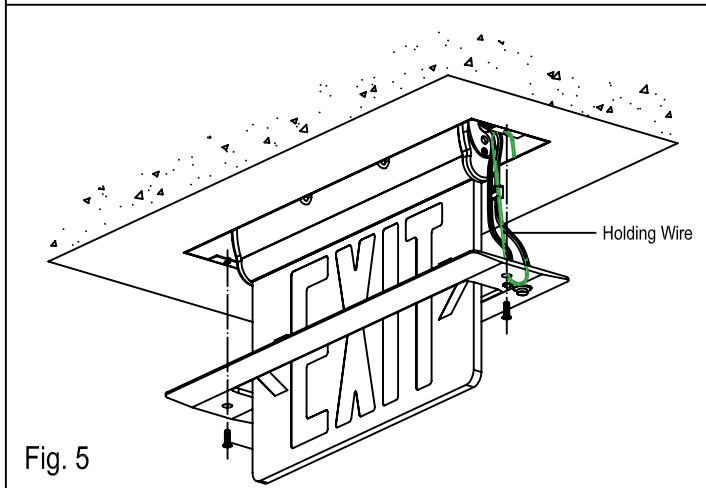


Fig. 5

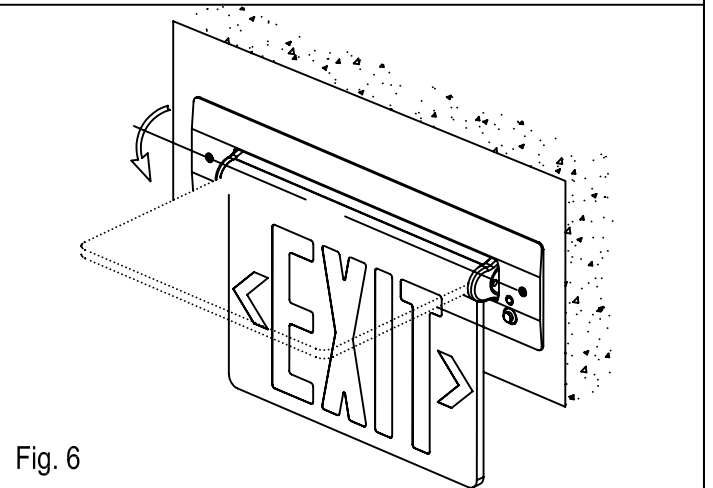


Fig. 6

