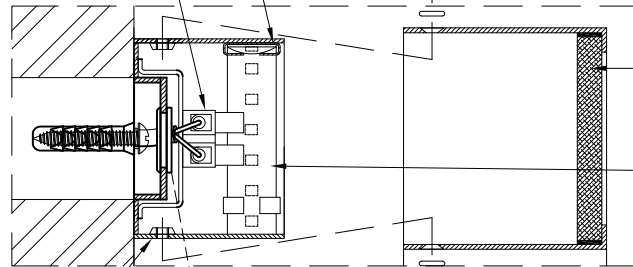


TOP VIEW

STAINLESS STEEL FIXING TABS FOR LED STRIP
 PLASTIC 2-WAY CONNECTOR

(8) STAINLESS STEEL COUNTERSUNK SCREWS
 MATT BLACK POWDER COATED, #77A
 WATERPROOF RUBBER "O" RINGS FOR SCREW HOLES



1/4" THICK WHITE FROSTED ANTI UV ACRYLIC DIFFUSER, #A018

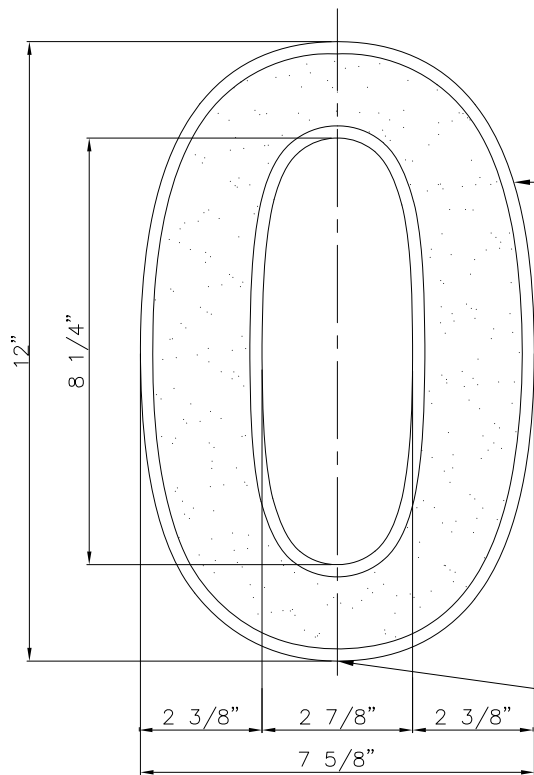
24V/LED 2835 STRIPS, 14.4W/M, 4000K, DIMMABLE, IP65, ABOUT 18.9W IN TOTAL

316 STAINLESS STEEL BACK PLATE TO BE WHITE POWDER COATED, #29

A - A



BLACK RUBBER WATERPROOF WIRING RING



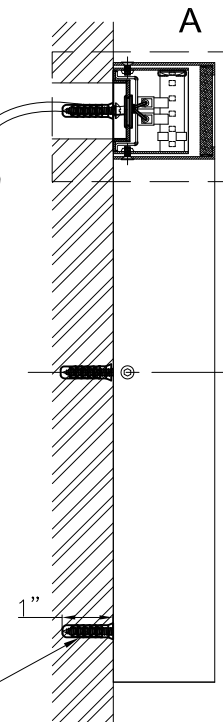
FRONT VIEW

316 STAINLESS STEEL FRAME MATT BLACK POWDER COATED, #77A

120V LED DRIVER SHARED BY 5 ILLUMINATED SIGNS DRIVER NOT INCLUDED

25' 20AWG EXPOSED 2-CORE BLACK CORD NO WIRING CONNECTOR. GOING DIRECT TO LED DRIVER

(4) STAINLESS STEEL SELF-TAPPING MOUNTING SCREWS
 PLASTIC ANCHORS FOR MOUNTING TO PLASTER
 WATERPROOF RUBBER "O" RINGS FOR SCREW HOLES



SIDE VIEW