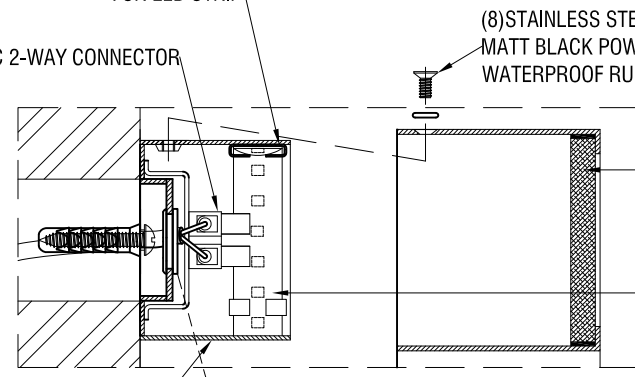
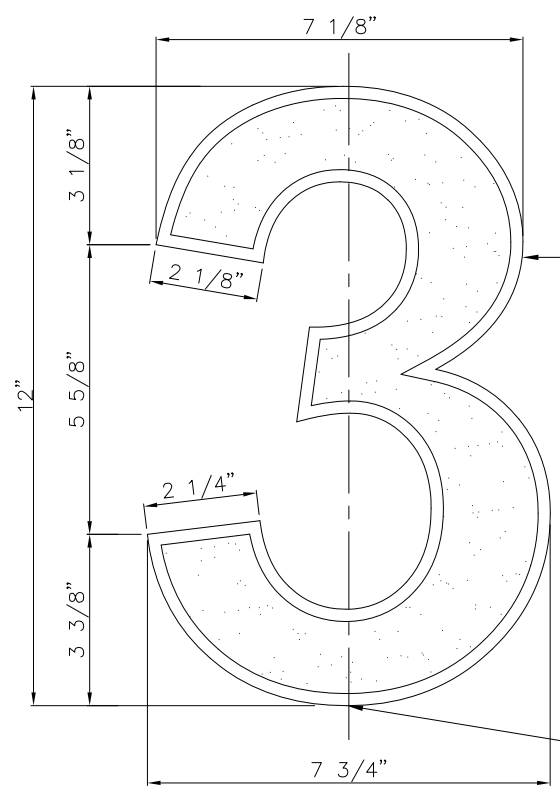


STAINLESS STEEL FIXING TABS FOR LED STRIP

PLASTIC 2-WAY CONNECTOR



316 STAINLESS STEEL BACK PLATE TO BE WHITE POWDER COATED, #29

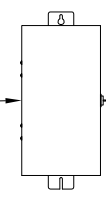


316 STAINLESS STEEL FRAME MATT BLACK POWDER COATED, #77A



BLACK RUBBER WATERPROOF WIRING RING

120V LED DRIVER SHARED BY 5 ILLUMINATED SIGNS DRIVER NOT INCLUDED



25' 20AWG EXPOSED 2-CORE BLACK CORD NO WIRING CONNECTOR. GOING DIRECT TO LED DRIVER

(4) STAINLESS STEEL SELF-TAPPING MOUNTING SCREWS PLASTIC ANCHORS FOR MOUNTING TO PLASTER WATERPROOF RUBBER "O" RINGS FOR SCREW HOLES

