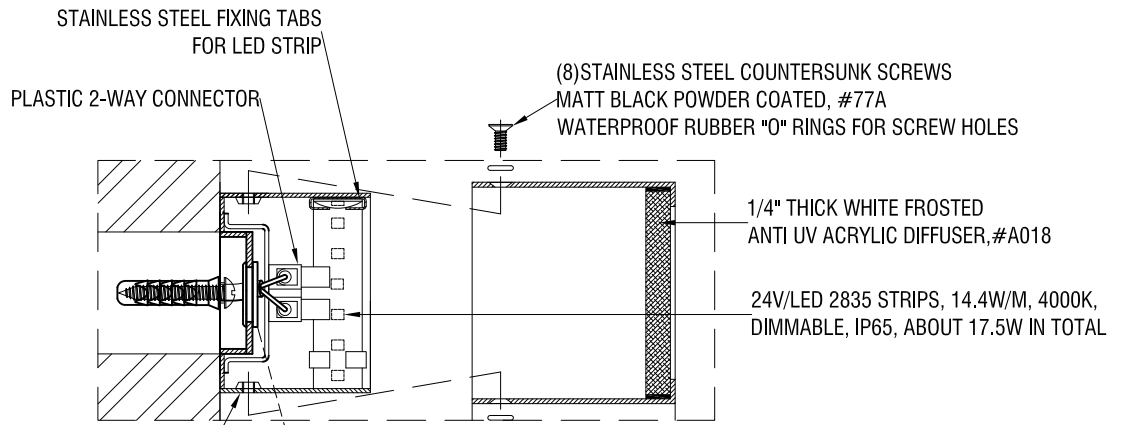
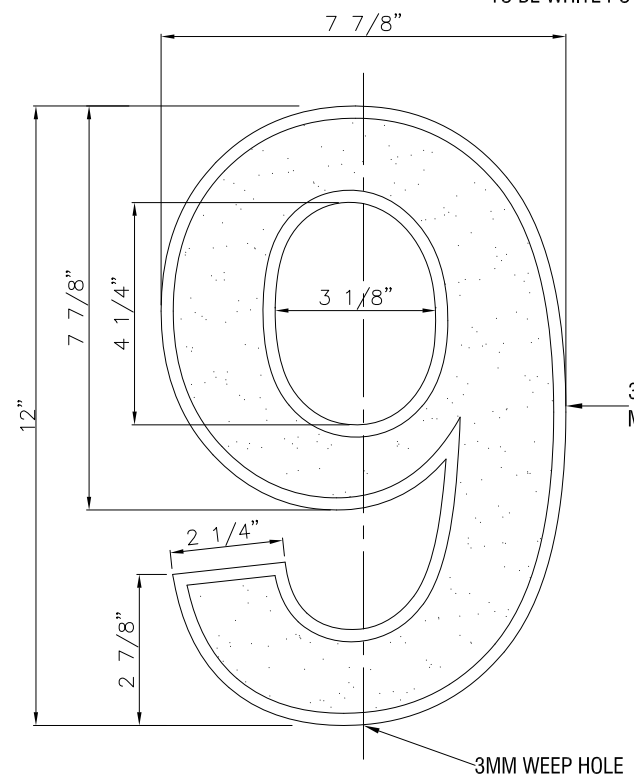


TOP VIEW



A - A



FRONT VIEW

316 STAINLESS STEEL BACK PLATE
TO BE WHITE POWDER COATED, #29

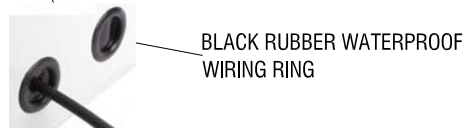
PLASTIC 2-WAY CONNECTOR

STAINLESS STEEL FIXING TABS
FOR LED STRIP

(8) STAINLESS STEEL COUNTERSUNK SCREWS
MATT BLACK POWDER COATED, #77A
WATERPROOF RUBBER "O" RINGS FOR SCREW HOLES

1/4" THICK WHITE FROSTED
ANTI UV ACRYLIC DIFFUSER, #A018

24V/LED 2835 STRIPS, 14.4W/M, 4000K,
DIMMABLE, IP65, ABOUT 17.5W IN TOTAL



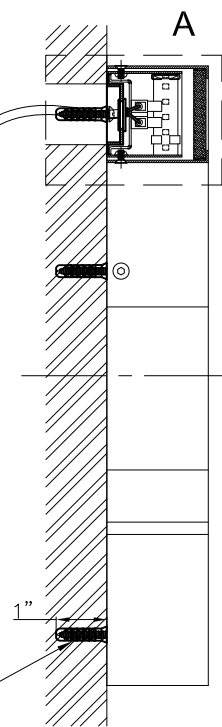
BLACK RUBBER WATERPROOF
WIRING RING

120V LED DRIVER
SHARED BY 5 ILLUMINATED SIGNS
DRIVER NOT INCLUDED

316 STAINLESS STEEL FRAME
MATT BLACK POWDER COATED, #77A

25' 20AWG EXPOSED 2-CORE BLACK CORD
NO WIRING CONNECTOR. GOING DIRECT TO LED DRIVER

(4) STAINLESS STEEL SELF-TAPPING MOUNTING SCREWS
PLASTIC ANCHORS FOR MOUNTING TO PLASTER
WATERPROOF RUBBER "O" RINGS FOR SCREW HOLES



SIDE VIEW