

INSTALLATION INSTRUCTIONS

5&6 in LED DOWNLIGHT - MODEL EL625CT5X,EL621CT5X

Rated Voltage 120V, 60Hz

(X indicates the finish of product)

Please read carefully and save these instructions as you may need them at a later date.

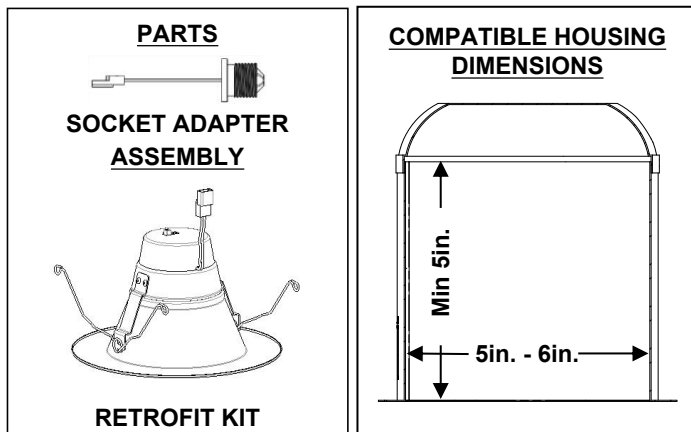
WARNING - RISK OF ELECTRIC SHOCK. DISCONNECT MAIN POWER AT FUSE OR CIRCUIT BREAKER BEFORE INSTALLING OR SERVICING THE FIXTURE.

GENERAL: All electrical connections must be in accordance with local and National Electrical Code (N.E.C.) standards. If you are unfamiliar with proper electrical wiring connections obtain the services of a qualified electrician.

Remove the KIT from the box and make sure that no parts are missing by referencing the PARTS illustrations.

THIS RETROFIT ASSEMBLY IS ACCEPTED AS A COMPONENT OF A LED LUMINAIRE WHERE THE SUITABILITY OF THE COMBINATION SHALL BE DETERMINED BY CSA OR CANADIAN AUTHORITIES HAVING JURISDICTION.

THIS DEVICE IS NOT INTENDED FOR USE WITH EMERGENCY EXITS.



WARNING- RISK OF FIRE OR ELECTRIC SHOCK

- LED Retrofit Kit installation requires knowledge of luminaires electrical systems. If not qualified, do not attempt installation. Contact a qualified electrician.
- Install this kit only in luminaires that have the construction features and dimensions shown in the photographs and/or drawings and where the input rating of the retrofit kit does not exceed the input rating of the luminaire.
- Do not make or alter any open holes in an enclosure of wiring or electrical components during kit installation.
- To prevent wiring damage or abrasion, do not expose wiring to edges of sheet metal or other sharp objects.
- The inside of the ceiling must be waterproof.

ASSEMBLY AND INSTALLATION

INCANDESCENT HOUSINGS

- 1.Unscrew the WING NUT inside the CAN to detach the SOCKET BRACKET from the CAN. Disengage the SOCKET from the SOCKET BRACKET. (FIG. 1)
- 2.Thread the SOCKET ADAPTER into the SOCKET. (FIG. 2)
- 3.Plug the FEMALE CONNECTOR of the RETROFIT KIT onto the MALE CONNECTOR of the SOCKET ADAPTER ASSEMBLY. (FIG. 3)
- 4.Squeeze both TORSION SPRING arms together and insert into the CAN. (FIG. 4)
- 5.Tuck all wires into the CAN and carefully push the RETROFIT KIT into CAN. (NOTE: To provide enough room in shallow cans, carefully position SOCKET ADAPTER and SOCKET adjacent to the side of the LED DRIVER prior to inserting the RETROFIT KIT into the CAN.) (FIG. 2 & 4)

LED HOUSINGS

- 1.Plug the FEMALE CONNECTOR of the RETROFIT KIT onto the MALE CONNECTOR of the LED HOUSING. (FIG. 3)
- 2.Squeeze both TORSION SPRING arms together and insert into the CAN. Tuck all wires into the CAN and carefully push the RETROFIT KIT into CAN. (FIG. 2 & 4)

