

Installation Instructions

Wet Location LED Exit Sign

READ PRIOR TO ATTEMPTING INSTALLATION
ALWAYS TURN OFF MAIN POWER BEFORE INSTALLATION
INSTALLATION SHOULD BE CARRIED OUT BY YOUR LOCAL ELECTRICIAN

⚠ WARNING - This equipment is intended to be installed only by qualified personnel. The installation must be made in accordance with the current edition to the National Electric Code and all applicable state and local building codes. The final installation must be approved by the appropriate qualified electrical/building inspector(s). Improper installation may result in a fire or electrical hazard. Be sure the electrical power to the circuit has been disconnected before installing this electrical system.

⚠ AVERTISSEMENT - Cet équipement est destiné à être installé uniquement par du personnel qualifié. L'installation doit être faite en conformité avec l'édition actuelle du Code national de l'électricité et toutes étatiques et locales codes du bâtiment applicables. L'installation finale doit être approuvée par l'inspecteur en électricité / bâtiment qualifié approprié(s). Une mauvaise installation peut entraîner un incendie ou un risque électrique. Soyez sûr de la puissance électrique vers le circuit a été coupée avant l'installation de ce système électrique.

IMPORTANT SAFEGUARDS READ AND FOLLOW ALL SAFETY INSTRUCTIONS

1. Review the diagrams thoroughly before beginning.
2. All electrical connections must be in accordance with local codes, ordinances, and the National Electric code.
3. Disconnect power at fuse or circuit breaker before installing or servicing.
4. Do not use outdoors.
5. Do not mount in hazardous locations, or near gas or electric heaters.
6. Do not let power cords touch hot surface.
7. Equipment should be mounted in locations and at heights where it will not be subjected to tampering and by unauthorized personnel.
8. The use of accessory equipment not recommended by the manufacturer may cause an unsafe condition.
9. Do not use this equipment for other than intended use.
10. All servicing should be performed by a qualified personnel only.
11. Allow battery to charge for 24 hours before full duration test.

MAINTENANCE

Always disconnect power at fuse or circuit breaker before installing or servicing, servicing should be performed only by qualified personnel.

BATTERY: Should be tested periodically and replaced when it no longer meets the required duration of 30 seconds or 90 minutes. Battery needs to be recharged if product is kept in stock over 9 months.

OPERATION

1. Apply AC power to the unit, the indicator should show red.
2. Push the test switch, the LED indicator turns off and the LED board stays on.
3. After releasing the test switch, LED indicator turns back to red.

TROUBLESHOOTING GUIDE

If LED heads or LED indicator do not illuminate, check the following:

1. Check AC supply - verify that unit has 24 hours of AC voltage.
2. Unit is shorted or battery is not connected.
3. Battery voltage too low. Allow luminaire to recharge for 24 hours and then re-test.
4. If above troubleshooting do not solve your problem, contact factory for assistance.

ROUTINE TESTING

National Electric Code (NEC) and NFPA life safety code regulations require that routine tests need to be performed as below:

Once every month, perform 30 seconds duration test, push in and hold the test switch to perform a full 90-minute test.

Disconnect AC power supply and switch to emergency mode, the unit should stay on 90 minutes minimum.

BATTERY STOCK AND RECHARGE GUIDELINE

Emergency fixtures use maintenance free batteries. When a fixture is on the shelf (stored) before installation, all battery types need regular discharge and recharge to avoid battery deterioration.

Deterioration can result in permanent capacity loss or complete Battery failure, emergency fixture manufacturer can not provide quality warranty for battery if do not operate proper maintenance before installation.

The recharge period is always taken from the Manufacture Date written on the battery surface.

Lead-Acid battery:

Shelf life = Recharge Required = 3 months.

Recharge should involve full discharge and recharge to at least 50% rated capacity

Ni-Cad and Ni-MH battery:

Shelf life = Recharge Required = 9 months.

Recharge should involve full discharge and recharge to at least 50% rated capacity

LiFeP04 battery:

Shelf life = Battery Charge Required = 12 months

Battery should recharge to at least 50% rated capacity

EMERGENCY FIXTURE IN STOCK

When a fixture is on the shelf (stored) before installation, battery must not connect to PCBA to avoid self-discharge, battery must keep disconnect status before installation.

If battery connect to PCBA without charge battery for over 10 days, battery will be deteriorate because of battery self-discharge properties, and cannot recover to original capacity.

BATTERY SAFETY INFORMATION

Proposed long term storage temperature in 15°C ~25°C, humidity in 45-85% for all type battery.

LEAD-ACID BATTERY HANDLING AND STORAGE

Store batteries in cool, dry, well-ventilated areas with impervious surfaces and adequate containment in the event of spills. Batteries should also be stored under roof for protection against adverse weather conditions. Separate from incompatible materials. Store and handle only in areas with adequate water supply and spill control. Avoid damage to containers. Keep away from fire, sparks, and heat.

Ni-cad battery/ Ni-MH battery /LiFeP04 battery

Do not damage or remove the external tube.

Never throw out cells in a fire or expose to high temperature.

Do not soak cells in water and seawater.

Do not expose to strong oxidizers.

Do not give a strong mechanical shock or throw down.

Never disassemble modify or deform.

Do not connect the positive terminal to the negative terminal with electrically conductive material.

Do not short or install with incorrect polarity.

Avoid direct sunlight high temperature, high humidity and the places where it is exposed to the static electricity.

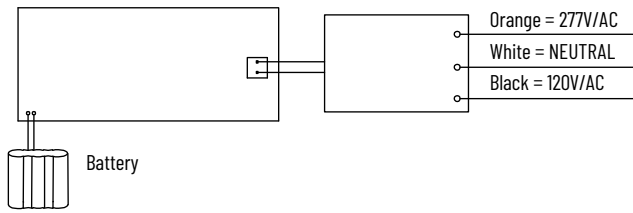
SAVE THESE INSTRUCTIONS

Installation Instructions

Wet Location LED Exit Sign

READ PRIOR TO ATTEMPTING INSTALLATION
ALWAYS TURN OFF MAIN POWER BEFORE INSTALLATION
INSTALLATION SHOULD BE CARRIED OUT BY YOUR LOCAL ELECTRICIAN

WIRING DIAGRAM



1. Connect the white wire to neutral.
2. If using 120V, connect the black wire to hot lead.
If using 277V, connect the orange wire to hot lead.
3. Cap the unused lead.

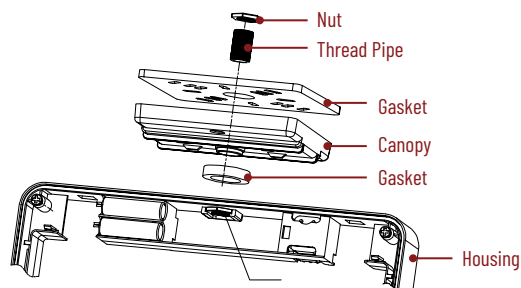
WALL MOUNT INSTRUCTIONS

1. Open front cover by screwdriver.
2. Knock out center and appropriate mounting screw holes on the black plate, paste gasket on back of back plate.
3. Feed building power supply wires through the center hole, fix back plate to waterproof type junction box by screws.
4. Make correct electrical connections inside of fixture according to wiring diagram.
5. Push excess wire into junction box.
6. Attach battery connector to PC board.
7. Snap chevron to EXIT panel if required, restore front panel on unit.

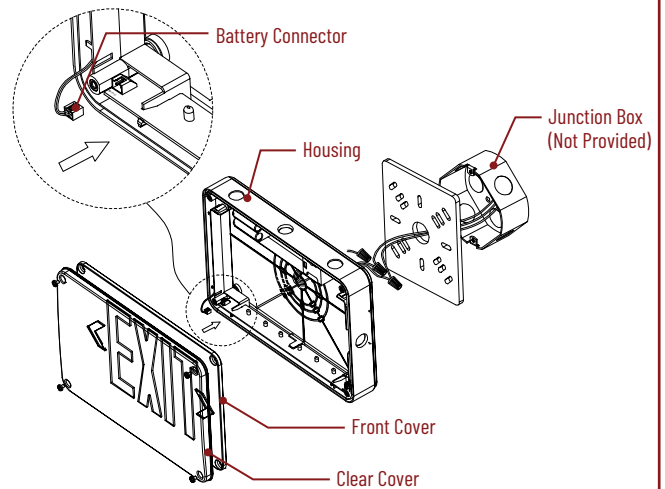
SIDE / CEILING MOUNT INSTRUCTIONS

1. Attach crossbar to junction box, set the crossbar so that the short blade is touching the waterproof type junction box.
2. Open front cover by screwdriver.
3. If double face is desired, replace back plate with additional face plate provided.
4. Knock out the mounting hole on the top or side of the unit, assemble the canopy on the unit (See Canopy Assembly).
5. Route the proper wires through mounting hole out of housing.
6. Make electrical connections inside the junction box as wiring diagram.
7. Fasten crossbar on the junction box by screws provided.
8. Paste gasket on canopy, then fasten canopy to crossbar and against to the wall.
9. Snap chevron to EXIT panel if required.
10. Attach battery connector to PC board, restore front panel on unit.

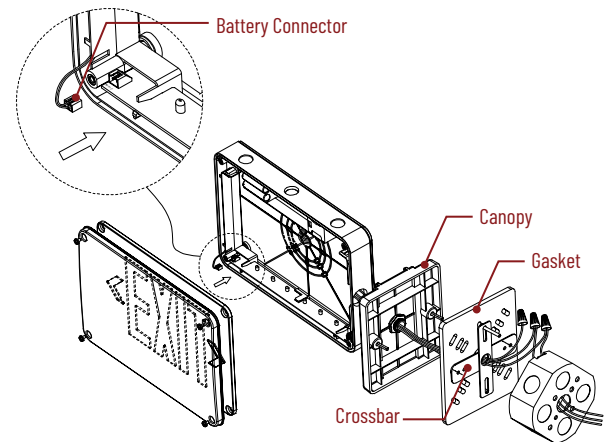
CANOPY ASSEMBLY



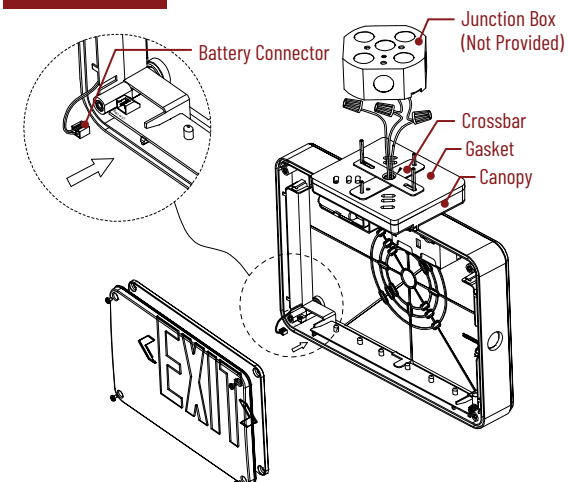
WALL MOUNT



SIDE MOUNT



CEILING MOUNT

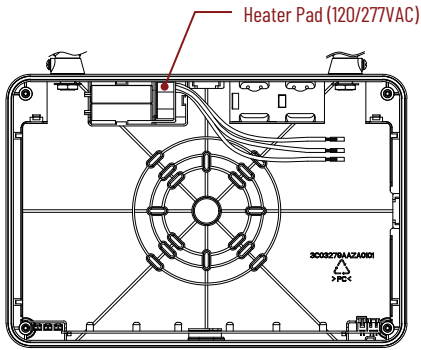


Installation Instructions

Wet Location LED Exit Sign

READ PRIOR TO ATTEMPTING INSTALLATION
ALWAYS TURN OFF MAIN POWER BEFORE INSTALLATION
INSTALLATION SHOULD BE CARRIED OUT BY YOUR LOCAL ELECTRICIAN

HEATER PAD WIRING DIAGRAM



⚠ WARNING - DO NOT MAKE WRONG CONNECTION.
BLACK WIRE (FOR 120V) AND ORANGE WIRE (FOR 277V)
MUST NOT BE USED AT THE SAME TIME.

