

Hospitality Keycard Switch



Description

The Leviton Hospitality Keycard Switches are designed to provide energy savings for the hospitality industry by ensuring that no devices are left on when the room is not in use. These switches control electrical circuits by simply inserting or removing the guest's access card into the device. Both line voltage and low voltage switches are available for application flexibility.

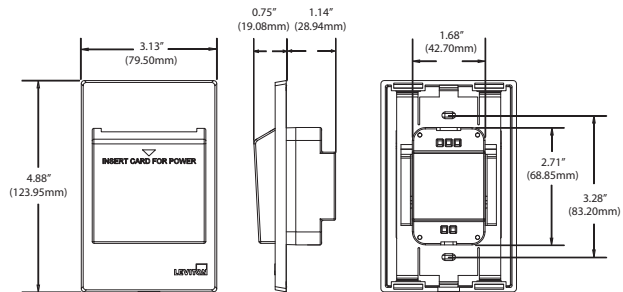
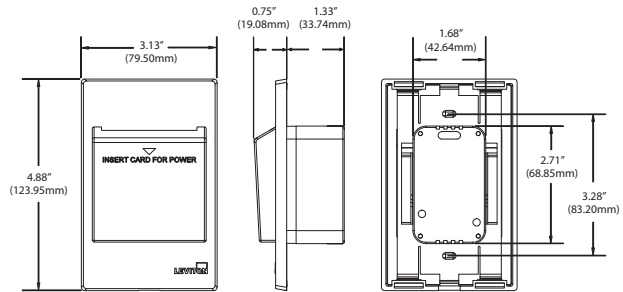
Applications

Hospitality keycard switches are ideal for guest rooms in hotels, motels, boarding houses, senior residences or similar applications.

Features

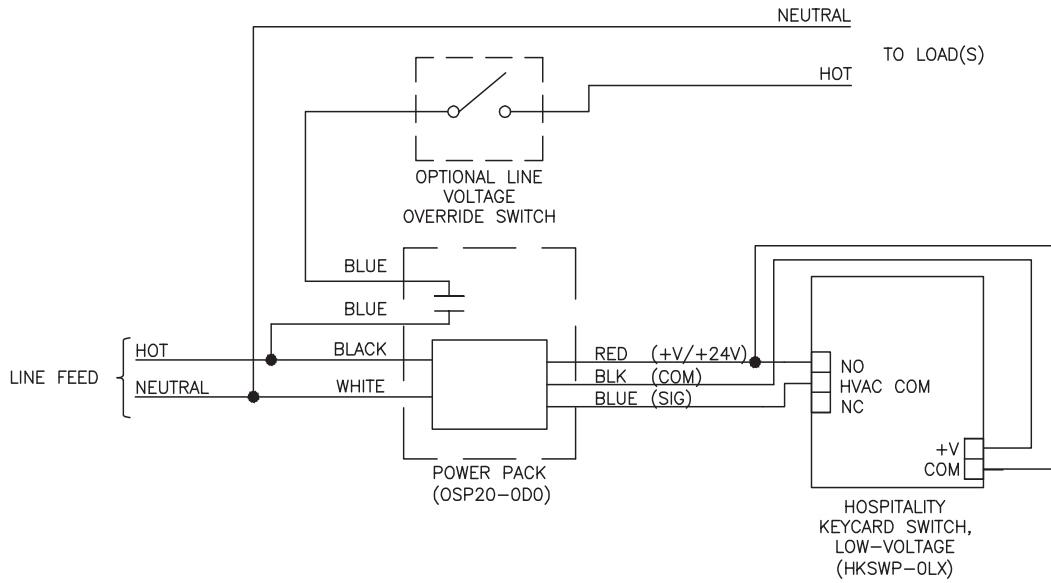
- Keycard switch functions as dependable vacancy sensor when guest leaves and removes card
- Reduce energy costs by ensuring circuits are ON only during occupancy (when keycard is in switch)
- Attractive low profile design with color change kit to meet the most common room designs or decor
- High Inrush Stability (H.I.S. Technology)
 - Zero crossing circuitry optimizes relay operation for reliable, long-life operation
 - Robust mechanical latching relay is durable for all load types
- No neutral model (HKSWP-GDX) is specially designed for retrofit applications where neutral wires are not available
- Low voltage model is compatible with applications utilizing Building Automation Systems, Energy Management Systems, and lighting control panels
- Fully rated to protect the entire circuit with UL Listing and 20A relay

Dimensions

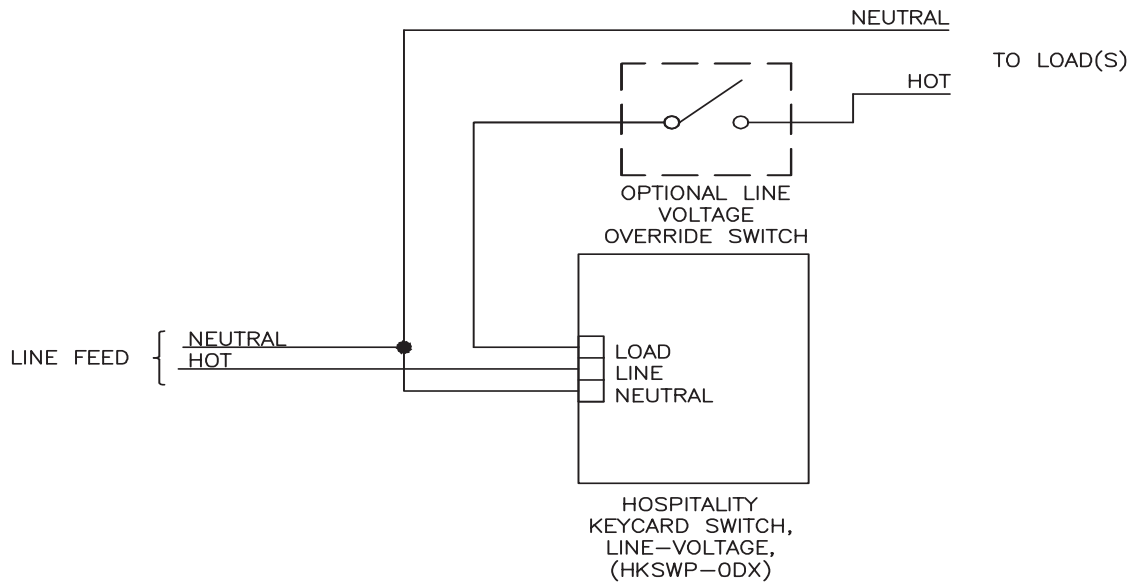


Wiring Diagrams

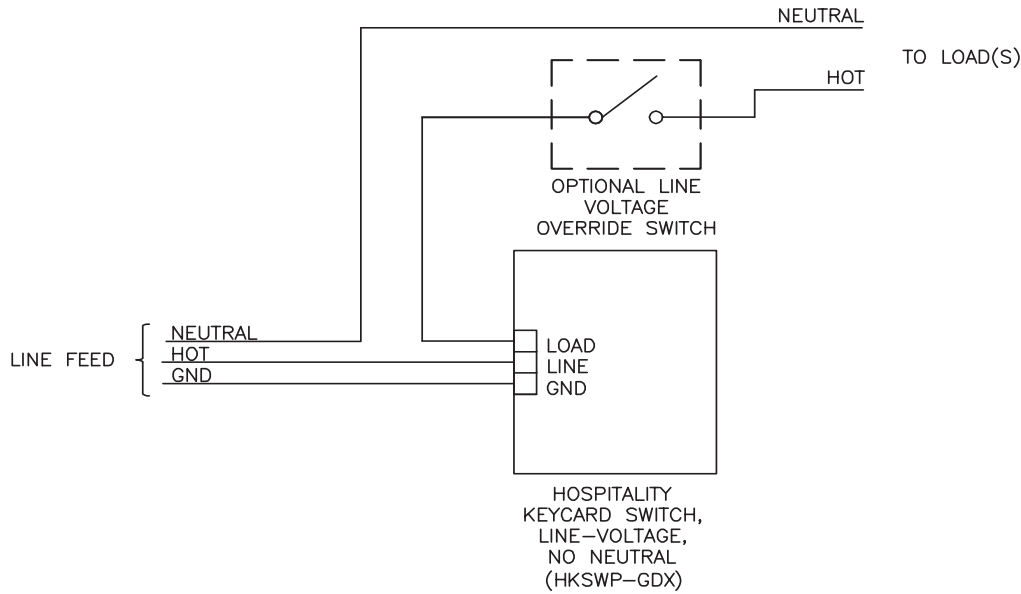
Low Voltage Keycard Switch with Standard Power Pack



Line Voltage Keycard Switch, with Neutral



Line Voltage Keycard Switch, with No Neutral



Specifications

	LINE VOLTAGE HKSWP-0DX HKSWP-GDX	LOW VOLTAGE HKSWP-0LX
Input Voltage	120-230-277VAC	24VDC/24VAC
Frequency	50/60Hz	50/60Hz
Load Rating	20A, 2400W @ 120V - Resistive 20A, 2400W @ 120V - General Purpose 20A, 2400W @ 120V - Incandescent 20A, 2400W @ 120V - Fluorescent 16A, 1920VA @ 120V - Electronic Ballasts 16A, 1920W @ 120V - LED 20A, 5540W @ 277V - Resistive 20A, 5540W @ 277V - General Purpose 20A, 5540VA @ 277V - Fluorescent 16A, 4430VA @ 277V - Electronic Ballasts 16A, 4430W @ 277V - LED 1/2 HP @ 120V - Motor Load 2 HP @ 240/277V - Motor Load	Form C (1 Normally Open, 1 Normally Closed) Rated at 1A/30VDC
Standby Power Consumption	1.2W Max @ 120V	0.66W AC or 0.24W DC Max
Time Delay	-0DX: 30 Seconds -GDX: 30 Seconds	30 Seconds
Wire Designations	Line = Black, Load = Red, Neutral = White, Ground = Green	—
Terminal Connections	—	24V, Comm, N/C, N/O, Rly Comm
Warm-Up Time	-0DX: Up to 20 Seconds Max -GDX: Up to 80 Seconds Max	-0LX: Up to 5 Seconds Max
Operating Temperature Range	32 to 131° F (0 to 55° C)	
Storage Temperature Range	32 to 158° F (0 to 70° C)	
Relative Humidity	Maximum 95% non-condensing	
Usage	Indoors Only	
Agency Listings	UL and cUL Listed	
Energy Codes	Can be used to comply with IECC, ASHRAE 90.1, and 2022 Title 24, Part 6 occupancy/vacancy sensing requirements	
Warranty	Limited 5-Year	

Leviton Manufacturing Co., Inc. Lighting & Controls

10385 SW Avery Street, Tualatin, OR 97062 **tel** 800-736-6682 **tech line** (6:00AM-4:00PM PT Mon-Fri) 800-959-6004

©2024 Leviton Manufacturing Co., Inc. All rights reserved. Subject to change without notice.

Ordering Information

Hospitality Keycard Switch	
Cat. No.	Description
HKSWP-0DX*	Hospitality Key Card Switch with Color Change Kit, 120-277V
HKSWP-GDX*	Hospitality Key Card Switch with Color Change Kit, 120-277V, No Neutral
HKSWP-0LX*	Hospitality Key Card Switch with Color Change Kit, 24V
HKSWP-00G	Faceplate, Gray, 25 PK
HKSWP-00E	Faceplate, Ebony, 25 PK

* All HKSWP models ship with the Color Change Kit - includes a White, Ivory and Light Almond faceplate.

Leviton Manufacturing Co., Inc. Lighting & Controls

10385 SW Avery Street, Tualatin, OR 97062 **tel** 800-736-6682 **tech line** (6:00AM-4:00PM PT Mon-Fri) 800-959-6004

Leviton Manufacturing Co., Inc. Global Headquarters

201 North Service Road, Melville, NY 11747-3138 **tel** 800-323-8920 **tech line** (8:00AM-10:00PM ET Mon-Fri, 9:00AM-7:00PM ET Sat, 9:00AM-5:00PM ET Sun) 800-824-3005

Visit our Website at: www.leviton.com/sensors

©2024 Leviton Manufacturing Co., Inc. All rights reserved. Subject to change without notice.