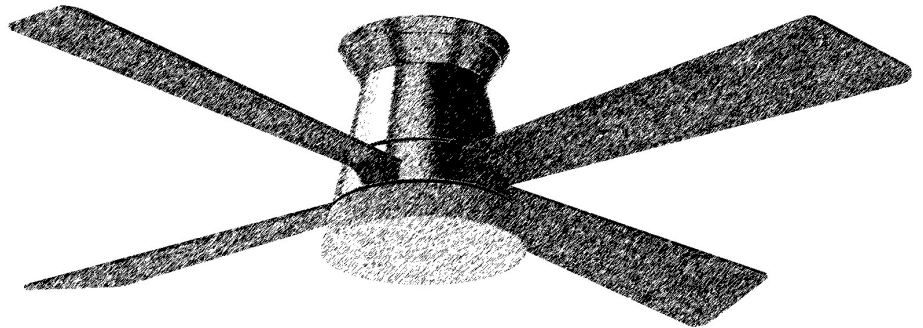


CRAFTMADE™

READ THESE INSTRUCTIONS
AND SAVE THEM FOR FUTURE USE



Merit

Installation Guide

For Model:
MER52

Table of Contents:

- Safety Tips. pg. 2
- Unpacking Your Fan. pg. 3
- Parts Inventory. pg. 3
- Installation Preparation. pg. 4
- Mounting Plate Installation. pg. 4
- Preparation for Wiring. pg. 5
- Wiring. pg. 5
- Fan Assembly. pg. 6
- Blade Assembly. pg. 7
- Light Kit Assembly. pg. 7
- Testing Your Fan. pg. 8
- Troubleshooting. pg. 9
- Parts Replacement. pg. 9
- Warranty. pg. 9



net weight of fan: 20.28 lb (9.2 kg)

PRINTED IN CHINA

SAFETY TIPS.

WARNING: To reduce the risk of electrical shock, turn off the electricity to the fan at the main fuse box or circuit panel before you begin the fan installation or before servicing the fan or installing accessories.

1. **READ ALL INSTRUCTIONS AND SAFETY INFORMATION CAREFULLY BEFORE INSTALLING YOUR FAN AND SAVE THESE INSTRUCTIONS.**

CAUTION: To avoid personal injury, the use of gloves may be necessary while handling fan parts with sharp edges.

2. Make sure all electrical connections comply with Local Codes or Ordinances, the National Electrical Code, and ANSI/NFPA 70-1999. If you are unfamiliar with electrical wiring or if the house/building wires are different colors than those referred to in the instructions, please use a qualified electrician.
3. Make sure you have a location selected for your fan that allows clear space for the blades to rotate, and at least seven (7) feet (2.13 meters) of clearance between the floor and the fan blade tips. The fan should be mounted so that the tips of the blades are at least thirty (30) inches (76 centimeters) from walls or other upright structures.
4. The outlet box and ceiling support joist used must be securely mounted, and capable of supporting at least 35 pounds (16 kilograms). The outlet box must be supported directly by the building structure. Use only CUL (Canada) or UL (USA) listed outlet boxes marked "FOR FAN SUPPORT."

WARNING: To reduce the risk of fire, electrical shock, or personal injury, mount to the outlet box marked "Acceptable for Fan Support of 15.9 kg (35 lb.) or less," and use the mounting screws provided with the outlet box. Most outlet boxes commonly used for the support of lighting fixtures are not acceptable for fan support and may need to be replaced. Consult a qualified electrician if in doubt.

WARNING: To reduce the risk of fire, electrical shock, or personal injury, wire connectors provided with this fan are designed to accept only one 12 gauge house wire and two lead wires from the fan. If your house wire is larger than 12 gauge or there is more than one house wire to connect to the corresponding fan lead wires, consult an electrician for the proper size wire connectors to use.

5. Electrical diagrams are for reference only.
6. After installation is complete, check that all connections are absolutely secure.
7. After making electrical connections, spliced conductors should be turned upward and pushed carefully up into the outlet box. The wires should be spread apart with the grounded conductor and the equipment-grounding conductor on opposite sides of the outlet box.

WARNING: To reduce the risk of electrical shock, fire and to prevent humming noise do not use this fan with any solid state speed control device or control fan speed with a full range dimmer switch. [Using a full range dimmer switch to control fan speed will cause a loud humming noise from fan.] (**Note:** This fan is suitable for use with remote control.)

8. Do not operate the reverse switch until fan has come to a complete stop. [Note: If using remote control with reverse capability, reverse fan blade direction only when on LOW speed.]
9. Do not insert anything between the fan blades while they are rotating.

WARNING: To reduce the risk of personal injury, do not bend the blade arms during assembly or after installation. Do not insert objects into the path of the blades.

WARNING: To avoid personal injury or damage to the fan and other items, be cautious when working around or cleaning the fan.

10. Do not use water or detergents when cleaning the fan or fan blades. A dry dust cloth or lightly dampened cloth will be suitable for most cleaning.

WARNING: To reduce the risk of personal injury, use **only** parts provided with this fan. **The use of parts OTHER than those provided with this fan will void the warranty.**

WARNING: This fan MUST be installed with the safety cable provided with the fan. Failure to use the safety cable provided may result in personal injury, damage to the fan or damage to other property.

CAUTION: Do NOT tamper with or attempt to repair LED component of fixture. The light source is designed for this specific application and should not be serviced by untrained personnel. If any servicing is required, call our customer service department.

11. Light kit is dimmable to 10% with select dimmers.

Modifications not approved by the party responsible for compliance could void the user's authority to operate the equipment. [The equipment refers to the remote and/or wall control and/or LED light kit.]

NOTE: This equipment has been tested and found to comply with the limits for a Class B digital device, pursuant to Part 15 of the FCC Rules. These limits are designed to provide reasonable protection against harmful interference in a residential installation. This equipment generates, uses and can radiate radio frequency energy and, if not installed and used in accordance with the instructions, may cause harmful interference to radio communications. However, there is no guarantee that interference will not occur in a particular installation. If this equipment does cause harmful interference to radio or television reception, which can be determined by turning the equipment off and on, the user is encouraged to try to correct the interference by one or more of the following measures:

- * Reorient or relocate the receiving antenna.
- * Increase the separation between the equipment and receiver.
- * Connect the equipment into an outlet on a circuit different from that to which the receiver is connected.

Consult the dealer or an experienced radio/TV technician for help.

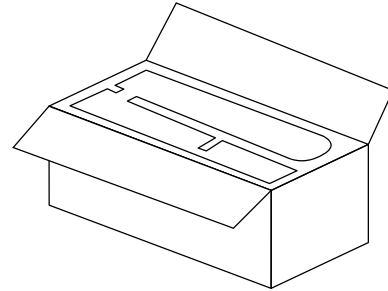
The LED light kit complies with Part 15 of the FCC Rules. Operation is subject to the following two conditions: (1) this LED light kit may not cause harmful interference, (2) this LED light kit must accept any interference received, including interference that may cause undesired operation.

Distributed by: Litex Industries Inc., P.O. Box 535639, Grand Prairie, TX, 75053; 1-800-527-1292

NOTE: The important safety precautions and instructions appearing in the manual are not meant to cover all possible conditions and situations that may occur. It must be understood that common sense and caution are necessary factors in the installation and operation of this fan.

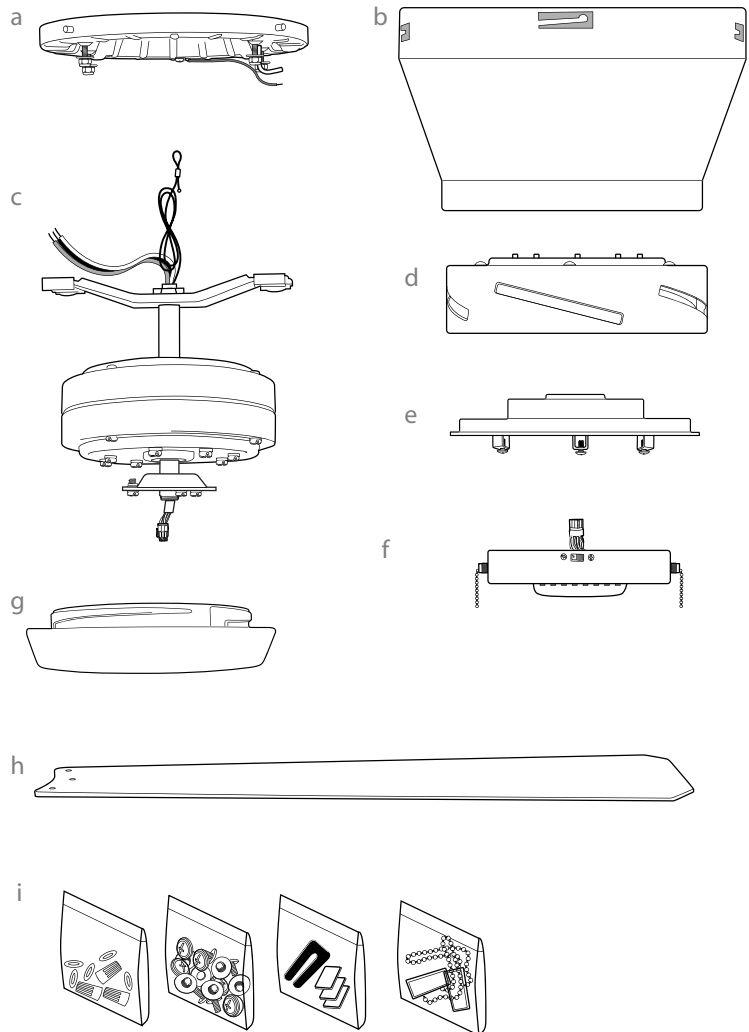
1. Unpacking Your Fan.

Carefully open the packaging. Remove items from Styrofoam inserts. Remove motor housing and place on carpet or Styrofoam to avoid damage to finish. Do not discard fan carton or Styrofoam inserts should this fan need to be returned for repairs. Check against parts inventory that all parts have been included.



2. Parts Inventory.

- a.** mounting plate. 1 piece
- b.** motor housing. 1 piece
- c.** motor assembly. 1 piece
- d.** center band. 1 piece
- e.** fitter plate. 1 piece
- f.** LED light kit. 1 piece
- g.** shade. 1 piece
- h.** blade. 5 pieces
- i.** hardware packs



⚠ IMPORTANT REMINDER: You must use the parts provided with this fan for proper installation and safety. **⚠**

3. Installation Preparation.

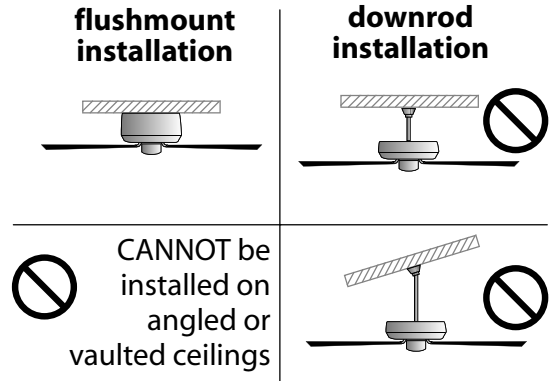
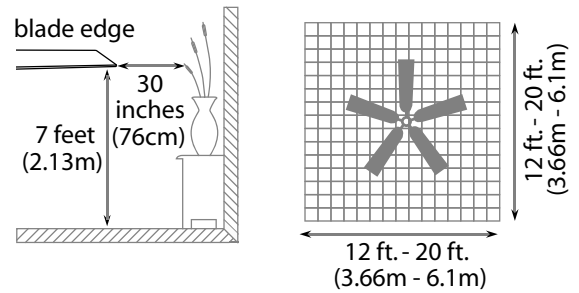
To prevent personal injury and damage, ensure that the hanging location allows the blades a clearance of 7ft. (2.13m) from the floor and 30in. (76cm) from any wall or obstruction.

This fan is suitable for room sizes up to 400 square feet (37.2 square meters).

This fan can be mounted as a **flushmount** on a regular (no-slope) ceiling *only*. **Downrod** installations are **not** available for this fan.

Installation requires these tools:

Phillips screwdriver, flat-head screwdriver, adjustable pliers or wrench, stepladder, wire cutters, and rated electrical tape.



4. Mounting Plate Installation.

Turn off circuit breakers to current fixture from breaker panel and be sure operating light switch is turned to the OFF position.

WARNING: Failure to disconnect power supply prior to installation may result in serious injury.

Remove existing fixture.

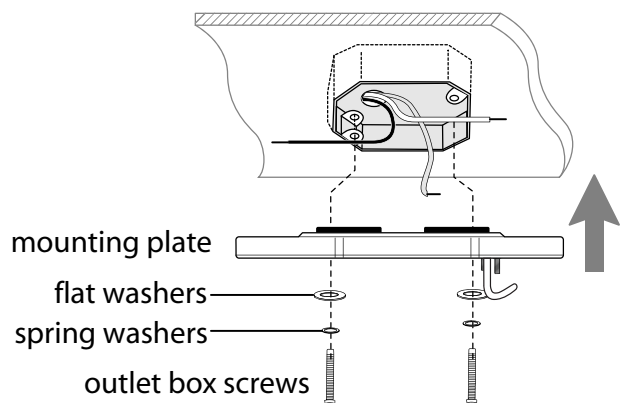
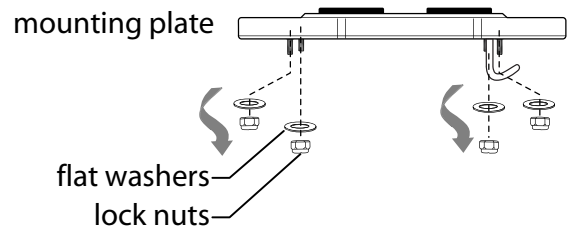
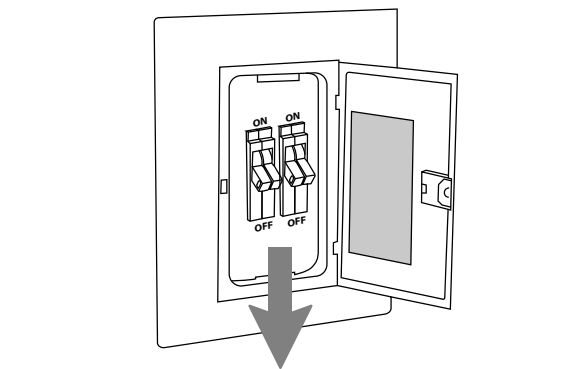
WARNING: When using an existing outlet box, be sure the outlet box is securely attached to the building structure and can support the full weight of the fan. Ensure outlet box is clearly marked "Suitable for Fan Support." If not, it must be replaced with an approved outlet box. Failure to do so can result in serious injury.

CAUTION: Be sure outlet box is grounded properly and that a ground wire (**GREEN** or bare) is present.

Remove 4 lock nuts and flat washers from mounting plate. Save for later use.

Install mounting plate to outlet box using original screws, spring washers and flat washers provided with new or original outlet box.* Pull electrical wiring from outlet box through center hole in the mounting plate.

***Note:** It is very important that you use the proper hardware when installing the mounting plate as this will support the fan.

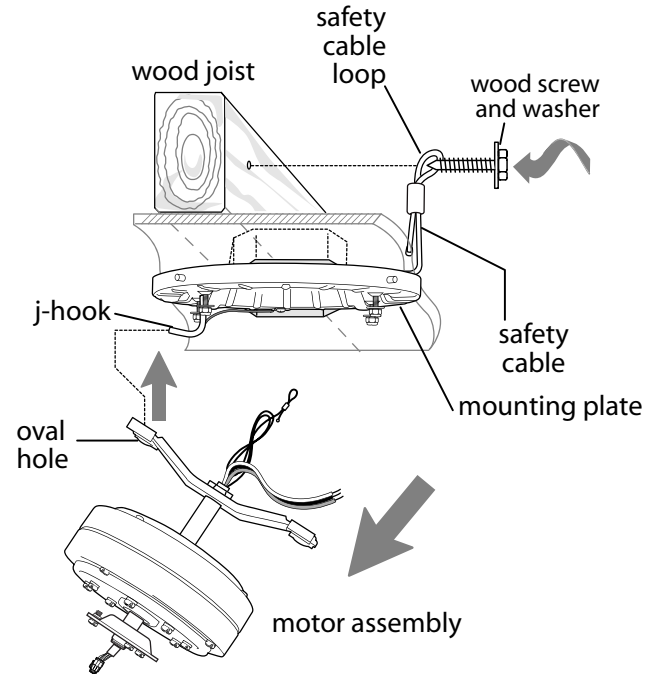


5. Preparation for Wiring.

Lift motor assembly to mounting plate. Hang motor assembly on j-hook, using oval hole located on plate at top of motor assembly. This will allow motor assembly to hang out of the way while wiring.

Tip: Seek the help of another person to hold the stepladder in place and to lift the fan up to you once you are set on the ladder.

Find a secure attachment point (wood ceiling joist highly recommended) and secure safety cable. It will be necessary to use a heavy duty wood screw, washer and lock washer (not supplied) with the safety cable loop. If necessary, adjust the loop at the end of the safety cable. The loop at the end of the safety cable should just fit over the threads on the wood screw. *Test safety cable by pulling on loose end of cable with pliers. If the safety cable slips, the loop must be adjusted smaller.* Extra cable slack can be left in ceiling area.



6. Wiring.

WARNING: Turn off circuit breakers to current fixture from breaker panel and be sure switch is turned to the OFF position.

CAUTION: Be sure outlet box is grounded properly and that a ground wire (**GREEN** or Bare) is present.

Make sure all electrical connections comply with Local Codes or Ordinances and the National Electrical Code. If you are unfamiliar with electrical wiring or if the house/building wires are different colors than those referred to below, please use a qualified electrician.

Once fan has been temporarily hung on the mounting plate, electrical wiring can be made as follows:

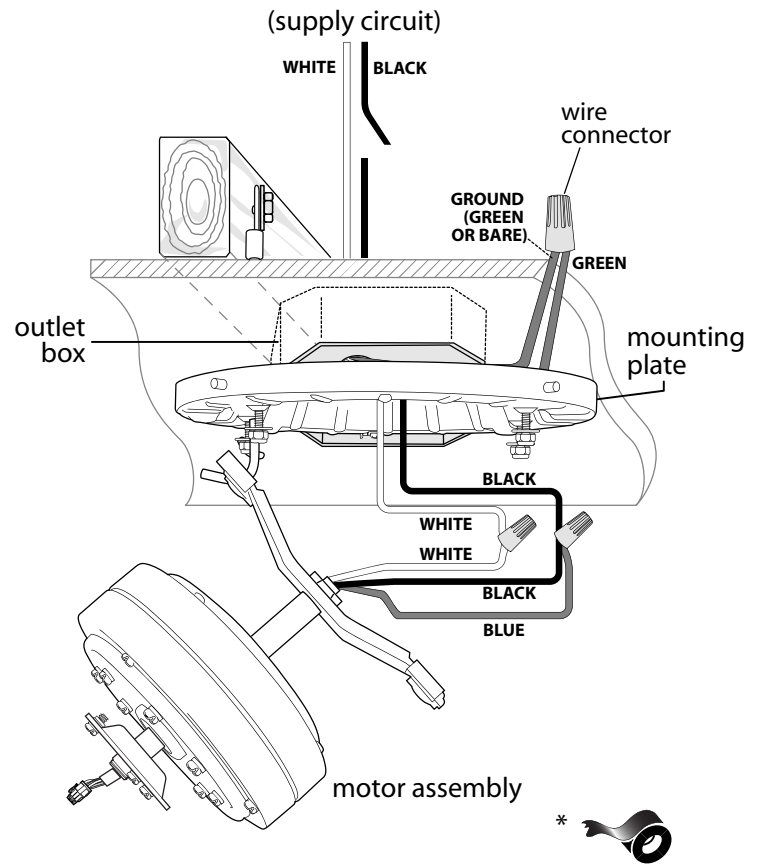
Connect **BLACK** and **BLUE** wires from fan to **BLACK** wire from ceiling with wire connector provided.

Connect **WHITE** wire from fan to **WHITE** wire from ceiling with wire connector provided.

Connect **GROUND (GREEN)** wire from mounting plate to **BARE/GREEN** wire from ceiling with wire connector provided.

If you intend to control the fan light with a separate light switch connect **BLUE** wire from fan to the **BLACK** (or **RED**) supply from the independent switch.

* Wrap each wire connector separately with electrical tape as an extra safety measure.



This fan is remote control adaptable (remote control sold separately).

7. Fan Assembly.

Without removing motor assembly from j-hook, slide motor assembly over mounting plate, aligning holes in top plate of motor assembly with screws in mounting plate. Re-insert the 4 flat washers and 4 lock nuts previously removed (page 4, Section 4) to secure motor assembly. Tighten all 4 lock nuts. [Refer to **diagram 1**.]

Note: Make sure wires and wire connectors do not get tangled or pinched between the plates.

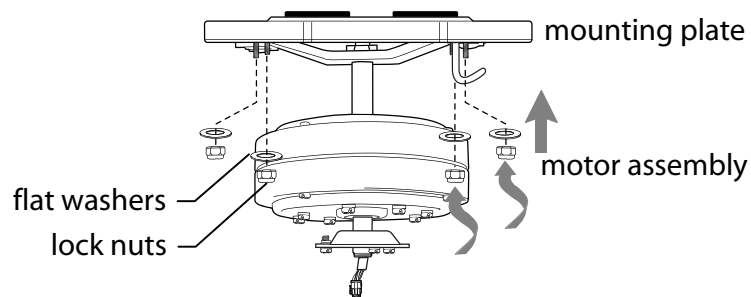


diagram 1

Raise motor housing to mounting plate, aligning 4 metal bars on the inside edge of motor housing with 4 posts on edge of mounting plate. Twist motor housing to the RIGHT to lock. [Refer to **diagram 2**.]

WARNING: It is important that you make sure to turn the motor housing *all the way to the right* to ensure that the motor housing is completely secure.

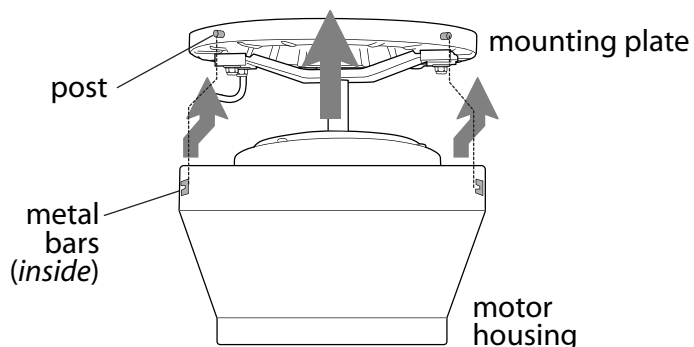


diagram 2

Remove 5 screws/washers from underside of motor assembly. Align holes in center band with screw holes in motor assembly, allowing the male plug from motor assembly to come through hole in middle of center band. Re-insert screws/washers just removed and securely tighten all 5 screws/washers with a Phillips screwdriver. [Refer to **diagram 3**.]

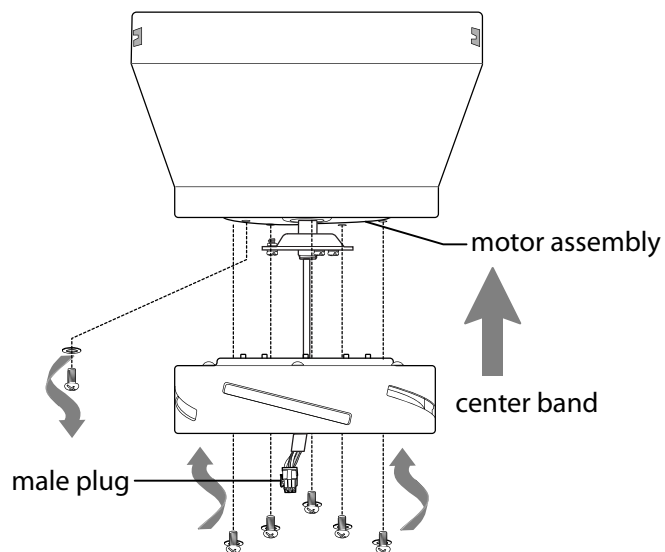


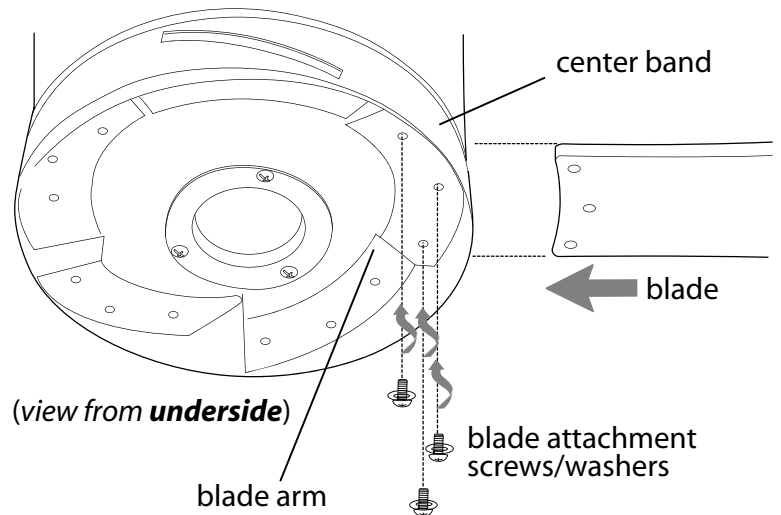
diagram 3

8. Blade Assembly.

WARNING: To reduce the risk of serious bodily injury, DO NOT use power tools to assemble the blades. If screws are overtightened, blades may crack and break.

Locate 15 blade attachment screws/washers in hardware pack. Slide a blade through one of the narrow, rectangular openings on the center band, aligning holes in blade with holes in blade arm located on the **underside** of the center band --refer to *drawing at right*. Insert 3 blade attachment screws/washers with fingers first and then tighten screws securely with a Phillips screwdriver. Repeat procedure for each remaining blade.

NOTE: Tighten blade attachment screws twice a year.



9. Light Kit Assembly.

Remove 1 screw from motor plate on underside of motor assembly and partially loosen the other 2 screws. Align slotted holes in center of fitter plate with loosened screws in motor assembly, allowing the male plug from motor assembly to come through hole in middle of fitter plate. Twist fitter plate to lock. Re-insert screw that was previously removed and securely tighten all 3 screws with a Phillips screwdriver. (**diagram 1**)

Remove 1 screw from post located on underside of fitter plate and partially loosen the other 2 screws on the other 2 posts. Connect male plug from motor assembly to female plug from the LED light kit. Make sure plugs connect tightly. Align slotted holes in LED light kit with loosened screws in fitter plate. Twist LED light kit to lock. Re-insert screw that was previously removed and tighten all 3 screws securely. (**diagram 2**)

Locate slots on shade and align with nodules on inside of LED light kit. Slide shade onto LED light kit and gently turn shade in a clockwise direction until it slides into place. (**diagram 3**)

NOTE: Pull down *VERY GENTLY* on shade to make sure that shade is secure.

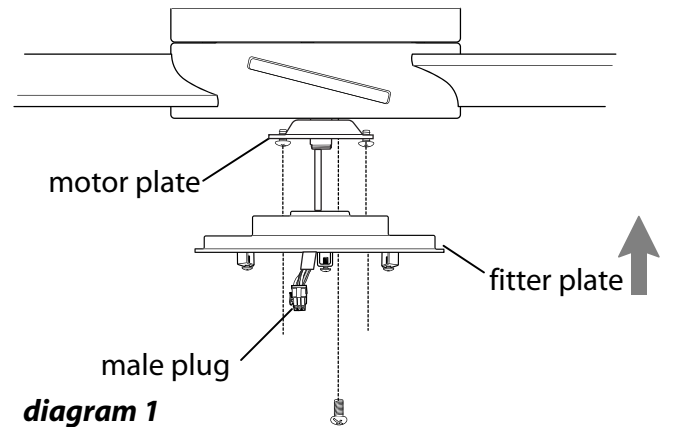


diagram 1

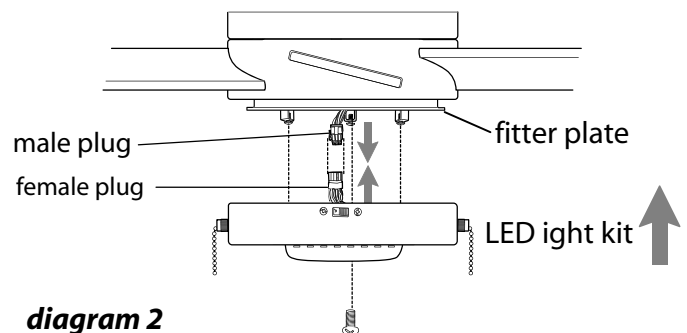


diagram 2

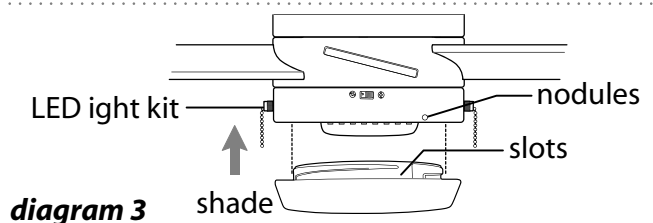


diagram 3

10. Testing Your Fan.

It is recommended that you test fan before finalizing installation. Restore power from circuit box and light switch (if applicable). Test fan speeds with the pull chain labeled FAN. Start at the OFF position (no blade movement). First pull will set the fan to HI. Second pull will set the fan to MEDIUM. Third pull will set the fan to LOW. Fourth pull will again set the fan to the OFF setting. Test light with the pull chain labeled LIGHT. (**diagram 1**) If fan and/or light do (does) not function, please refer to "Troubleshooting" section to solve any issues before contacting Customer Service.

Turn fan completely off *before* moving the reverse switch. Set reverse switch to recirculate air depending on the season:

- LEFT position in summer (**diagram 2**)
- RIGHT position in winter (**diagram 3**)

A ceiling fan will allow you to raise your thermostat setting in summer and lower your thermostat setting in winter without feeling a difference in your comfort.

Important: Reverse switch must be set either *completely LEFT* or *completely RIGHT* for fan to function. If the reverse switch is set in the *middle* position (**diagram 4**), fan will not operate.

Attach pull chain extensions supplied or custom pull chain extensions (sold separately) to ends of the pull chains.

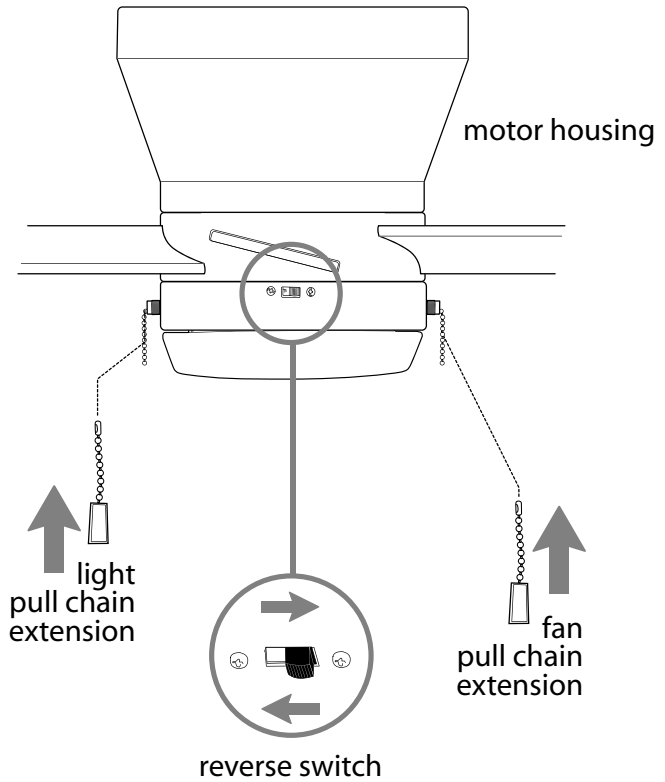


diagram 1

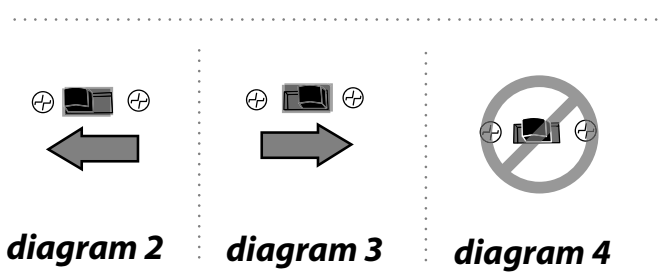


diagram 2

diagram 3

diagram 4

Troubleshooting.

WARNING: Failure to disconnect power supply prior to troubleshooting any wiring issues may result in serious injury.

Problem: Fan fails to operate.

Solutions:

1. Check wall switch to fan.
2. Verify that reverse switch is set completely in either direction.
3. Check to be sure fan is wired properly.
4. Verify that male and female plugs are connected properly in LED light kit.

Problem: LED light kit not lighting.

Solutions:

1. Check wall switch to fan.
2. Check to be sure wires in canopy are wired properly.
3. Verify that male and female plugs in LED light kit are properly connected.

Problem: Fan operates but light fails.

Solutions:

1. Check to be sure wires in canopy are wired properly.
2. Verify that male and female plugs in LED light kit are properly connected.

Problem: Fan wobbles.

Solutions:

1. Use the balancing kit provided in one of the hardware packs. *If no blade balancing kit is provided, please call Customer Support, 1-800-486-4892, to request one.*
2. Carefully loosen motor housing and verify that mounting plate and motor assembly are secure.
3. Check to be sure motor housing is turned completely.

Parts Replacement.

For parts and information, please refer to "Parts Inventory" on page 3.

Craftmade Customer Support:

1-800-486-4892

www.craftmade.com

Warranty.

CRAFTMADE™ LIFETIME LIMITED WARRANTY:

CRAFTMADE warrants this fan to the original household purchaser for indoor use under the following provisions:
1-YEAR WARRANTY: CRAFTMADE will replace or repair any fan which has faulty performance due to a defect in material or workmanship. Contact Craftmade Customer Service at **1-800-486-4892** to arrange for return of fan. Return fan, shipping prepaid, to Craftmade. We will repair or ship you a replacement fan, and we will pay the return shipping cost.

5-YEAR WARRANTY: CRAFTMADE will repair or replace, at no charge to the original purchaser, any fan motor that fails to operate satisfactorily when failure results from normal use.

RETURN FAN MOTOR ONLY, shipping prepaid, to Craftmade Industries. We will repair or ship purchaser a replacement motor and Craftmade will pay the return shipping cost.

6-YEAR to LIFETIME LIMITED WARRANTY: CRAFTMADE will repair the fan, at no charge for labor only to the original purchaser, if the fan motor fails to operate satisfactorily when failure results from normal use. Parts used in the repair will be billed to the purchaser at prevailing prices at time of repair.

The purchaser shall be responsible for all costs incurred in the removal, reinstallation and shipping of the product for repairs.

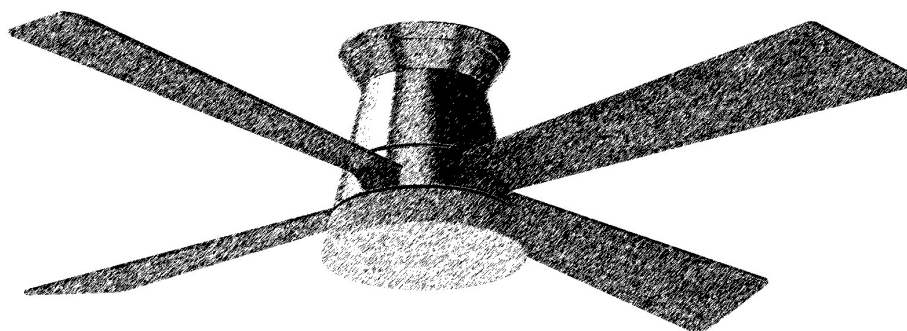
This warranty does not apply when damage from mechanical, physical, electrical or water abuse results in causing the malfunction. Deterioration of finishes or other parts due to time or exposure to salt air is specifically exempted under this warranty.

Neither Craftmade nor the manufacturer will assume any liability resulting from improper installation or use of this product. In no case shall the company be liable for any consequential damages for breach of this, or any other warranty expressed or implied whatsoever. This limitation as to consequential damages shall not apply in states where prohibited.

CRAFTMADE™

CRAFTMADE™

LISEZ ET CONSERVEZ CES INSTRUCTIONS
POUR UN USAGE ULTÉRIEUR



Merit

Guide d'installation

Pour le modèle :
MER52

Table des matières :

- Conseils de sécurité. p. 2
- Déballage de votre ventilateur. p. 3
- Liste des pièces. p. 3
- Préparation de l'installation. p. 4
- Installation de la plaque de montage. p. 4
- Préparation du câblage. p. 5
- Câblage. p. 5
- Assemblage du ventilateur. p. 6
- Assemblage et montage des pales. p. 7
- Assemblage du kit d'éclairage. p. 7
- Tester votre ventilateur. p. 8
- Dépannage. p. 9
- Pièces de rechange. p. 9
- Garantie. p. 9



Poids net du ventilateur : x,x kg (18,96 lb)

IMPRIMÉ EN CHINE

CONSEILS DE SÉCURITÉ.

AVERTISSEMENT : Afin de réduire le risque de choc électrique, coupez le courant alimentant le ventilateur au niveau de la boîte à fusibles principale ou du tableau de distribution principal avant d'entamer l'installation du ventilateur ou avant d'effectuer un service ou d'installer des accessoires sur le ventilateur.

1. **LISEZ TOUTES LES INSTRUCTIONS ET CONSIGNES DE SÉCURITÉ AVEC SOIN AVANT D'INSTALLER LE VENTILATEUR ET CONSERVEZ CES INSTRUCTIONS.**

ATTENTION : Pour éviter les blessures corporelles, il peut s'avérer nécessaire de porter des gants pendant la manipulation des pièces du ventilateur aux bords tranchants.

2. Assurez-vous que tous les branchements électriques sont conformes aux codes et règlements locaux, au Code national de l'électricité et à l'ANSI/NFPA 70-1999. En cas de doute quant à la réalisation du câblage électrique ou si les fils de la maison/du bâtiment sont de couleurs différentes de ceux identifiés dans les instructions, veuillez consulter un électricien qualifié.
3. Assurez-vous que vous avez choisi un emplacement pour votre ventilateur qui accorde un dégagement suffisant pour permettre aux pales de tourner et au moins 2,13 mètres (7 pieds) de dégagement entre le sol et les pointes des pales du ventilateur. Il faut installer le ventilateur de façon à ce que les pales se trouvent à au moins 76 centimètres (30 pouces) des murs ou autres structures verticales.
4. La boîte de sortie de courant et la solive de support du plafond doivent être solidement fixées et capables de supporter un minimum de 15,9 kilos (35 livres). La boîte de sortie de courant doit être directement supportée par la structure du bâtiment. Utilisez uniquement des boîtes de sortie de courant homologuées CUL (Canada) ou UL (É.-U.), portant la mention « POUR SUPPORTER UN VENTILATEUR ».

AVERTISSEMENT : Pour réduire le risque d'incendie, de choc électrique ou de blessure corporelle, installez sur une boîte de sortie de courant portant la mention « Capable de supporter un ventilateur de 15,9 kg (35 lb) ou moins » et utilisez les vis de montage fournies avec la boîte de sortie de courant. La plupart des boîtes de sortie de courant utilisées couramment pour le support de luminaires ne conviennent pas aux ventilateurs et peuvent devoir être remplacées. En cas de doute, consultez un électricien qualifié.

AVERTISSEMENT : Pour réduire les risques d'incendie, de choc électrique ou de blessures corporelles, les capuchons de connexion fournis avec ce ventilateur sont conçus pour recevoir au plus un fil de câblage domestique de calibre 12 et deux fils en provenance du ventilateur. Si le calibre du fil de câblage de la maison est supérieur à 12 ou s'il y a plus d'un fil de câblage de la maison à raccorder au câblage de sortie correspondant du ventilateur, consultez un électricien pour connaître la bonne taille des capuchons de connexion à utiliser.

5. Les schémas électriques sont fournis à titre indicatif seulement.
6. Une fois l'installation terminée, vérifiez que toutes les connexions sont parfaitement solides et sécuritaires.
7. Après avoir effectué les branchements électriques, tournez les conducteurs épaissés vers le haut et insérez-les soigneusement dans la boîte de sortie de courant. Les fils doivent être écartés de façon à ce que le conducteur mis à la terre et le conducteur de mise à la terre de l'équipement soient sur les côtés opposés de la boîte de sortie de courant.

AVERTISSEMENT : Pour réduire les risques d'incendie ou de choc électrique et pour éviter le bourdonnement, n'utilisez ce ventilateur avec aucun dispositif de réglage de vitesse transistorisé et ne contrôlez pas la vitesse du ventilateur avec un gradateur pleine gamme. [L'utilisation d'un gradateur pleine gamme pour contrôler la vitesse du ventilateur causera un bourdonnement fort du ventilateur.] **(Remarque** : Ce ventilateur convient à une utilisation avec télécommande.)

8. N'utilisez pas l'interrupteur d'inversion avant que le ventilateur ne soit complètement arrêté.
9. Ne placez rien entre les pales du ventilateur pendant qu'elles tournent.

AVERTISSEMENT : Pour réduire les risques de blessure corporelle, ne pliez pas les supports de pale pendant l'assemblage ou après l'installation. Ne placez pas d'objets dans la trajectoire des pales.

AVERTISSEMENT : Pour éviter les blessures ou éviter d'endommager le ventilateur ou d'autres objets, faire preuve de prudence en travaillant près du ventilateur ou en le nettoyant.

10. N'utilisez ni eau ni détergents pour nettoyer le ventilateur ou les pales du ventilateur. Un chiffon à poussière ou un linge légèrement humide conviennent en général pour le nettoyage.

AVERTISSEMENT : Pour réduire les risques de blessure corporelle, **n'utilisez que** les pièces fournies avec ce ventilateur. **L'utilisation de pièces AUTRES que celles fournies avec ce ventilateur annulera la présente garantie.**

AVERTISSEMENT : Ce ventilateur DOIT être installé à l'aide du câble de sécurité fourni avec le ventilateur. Ne pas utiliser le câble de sécurité fourni peut entraîner des blessures corporelles graves, des dommages au ventilateur ou d'autres dommages matériels.

ATTENTION : NE modifiez ou tentez PAS de réparer tout composant DEL du luminaire. La source de lumière est conçue pour cette application particulière et ne doit pas faire l'objet d'un service par un personnel non formé. Pour tout service requis, veuillez communiquer avec l'équipe du service à la clientèle.

11. L'intensité du luminaire peut être réduite à 10 % avec certains gradateurs.

Toutes les modifications qui n'ont pas fait l'objet d'une autorisation expresse de la partie responsable de la conformité peuvent annuler la faculté de l'utilisateur d'utiliser l'appareil. [L'équipement se réfère à la commande à distance et/ou murale et/ou au kit d'éclairage DEL.]

REMARQUE : Cet appareil a été testé et déclaré conforme aux limites imposées aux appareils numériques de classe B, conformément à l'alinéa 15 du règlement de la FCC. Ces limites sont destinées à assurer une protection raisonnable contre les interférences nuisibles dans un environnement résidentiel. Cet appareil génère, utilise et peut émettre de l'énergie radiofréquence et, s'il n'est pas installé et utilisé conformément aux instructions, risque de provoquer des interférences nuisibles aux communications radio. Cependant, tout risque d'interférence ne peut être totalement exclu. S'il constate des interférences lors de la réception d'émissions de radio ou de télévision (il suffit, pour le vérifier, d'allumer et d'éteindre successivement l'appareil), l'utilisateur devra prendre les mesures nécessaires pour les éliminer. À cette fin, il devra :

- * réorienter ou déplacer l'antenne réceptrice;
- * accroître la distance entre l'appareil et le récepteur;
- * brancher l'appareil sur une prise de courant appartenant à un autre circuit que celui du récepteur.

Consultez le détaillant ou un technicien en radio ou en télévision expérimenté pour obtenir de l'aide.

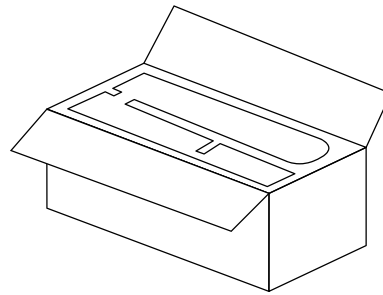
Le kit d'éclairage DEL est conforme à la Section 15 de la Réglementation de la FCC. Le fonctionnement et l'utilisation sont sujets aux deux conditions suivantes : (1) ce kit d'éclairage DEL ne doit pas être à l'origine d'interférences néfastes, et (2) ce kit d'éclairage DEL ne doit pas être sensible à toutes quelconques interférences reçues, y compris les interférences susceptibles d'occasionner un fonctionnement intempestif.

Distribué par : Litex Industries Inc., P.O. Box 535639, Grand Prairie, TX, 75050; 1 800 527-1292

REMARQUE : Les précautions de sécurité importantes de ce manuel ne sont pas destinées à couvrir toutes les conditions et situations possibles. L'utilisateur doit comprendre qu'il est essentiel de faire preuve de bon sens et de prudence pendant l'installation et l'utilisation de ce ventilateur.

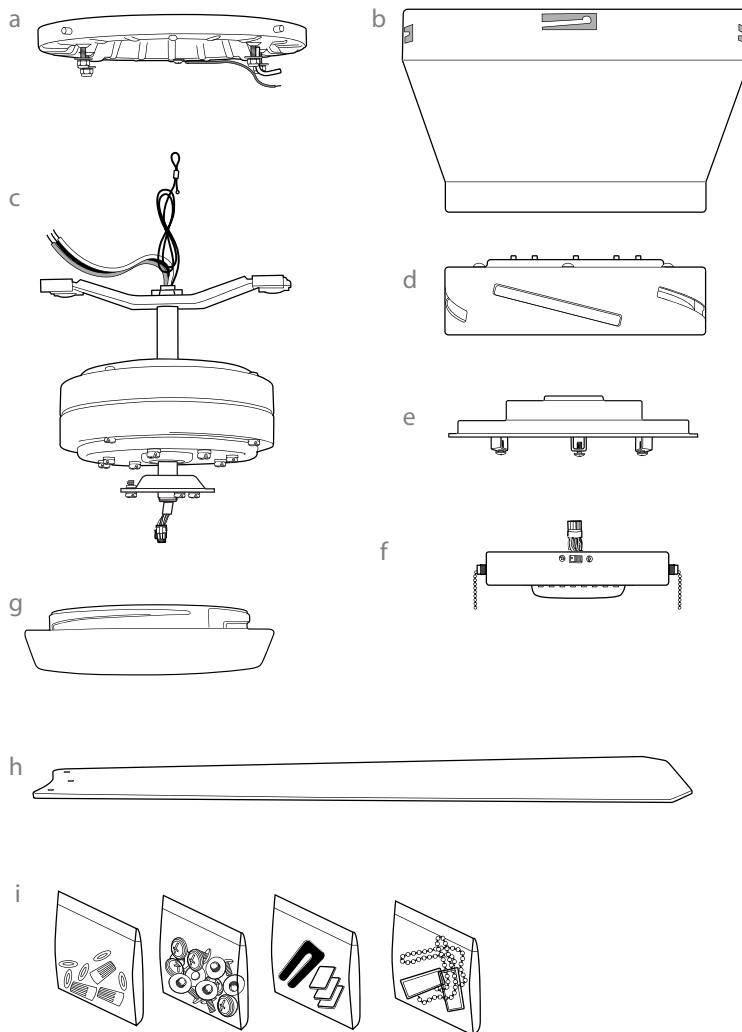
1. Déballage de votre ventilateur.

Ouvrez l'emballage avec soin. Retirez les articles des protections en mousse de polystyrène. Retirez le boîtier du moteur et placez-le sur un tapis ou de la mousse en polystyrène, pour éviter d'endommager son fini. Ne jetez pas la boîte du ventilateur ni les protections en mousse de polystyrène, au cas où le ventilateur aurait besoin d'être retourné pour des réparations. Vérifiez que toutes les pièces figurant sur l'inventaire sont présentes.



2. Inventaire des pièces.

- a. plaque de montage. 1 pièce
- b. carter moteur. 1 pièce
- c. groupe moteur. 1 pièce
- d. bande centrale. 1 pièce
- e. plaque d'adaptateur. 1 pièce
- f. kit d'éclairage à DEL. 1 pièce
- g. abat-jour. 1 pièce
- h. pale. 5 pièces
- i. sacs de quincaillerie



⚠ RAPPEL IMPORTANT : Vous devez utiliser les pièces fournies avec le ventilateur pour assurer une installation correcte et la sécurité. **⚠**

3. Préparation à l'installation.

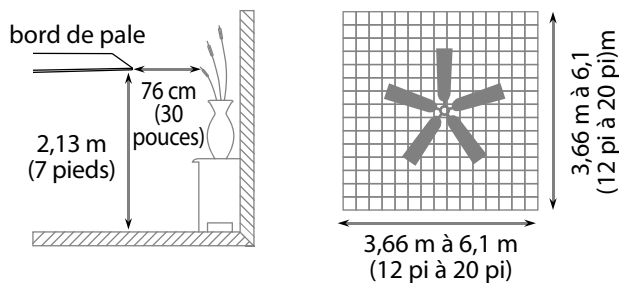
Pour éviter les blessures corporelles et les dommages, assurez-vous que l'emplacement de suspension accorde aux pales un dégagement de 2,13 m (7 pi) du sol et de 76 cm (30 po) de tout mur ou obstruction.

Ce ventilateur convient aux pièces mesurant jusqu'à 37,2 mètres carrés (400 pieds carrés).

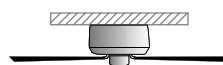
Ce ventilateur ne peut être monté en encastré que sur un plafond ordinaire (sans pente). Il n'est pas possible de monter ce ventilateur avec une **tige de suspension**.

L'installation requiert les outils suivants :

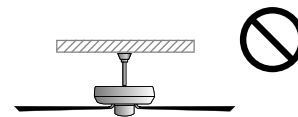
Tournevis cruciforme, tournevis à tête plate, pince réglable ou clé à molette, escabeau, coupe-fils et ruban isolant homologué.



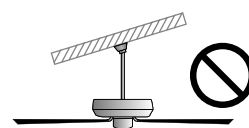
Installation en plafonnier



Installation avec tige de suspension



NE PEUT PAS être installé sur des plafonds inclinés ou voûtés



4. Installation de la plaque de montage.

Désactivez les disjoncteurs contrôlant l'appareil actuel au niveau du tableau à disjoncteurs et veillez à ce que l'interrupteur d'éclairage utilisé soit en position ARRÊT (OFF).
AVERTISSEMENT : Ne pas déconnecter l'alimentation électrique avant l'installation peut entraîner des blessures graves.

Retirez l'appareil existant.

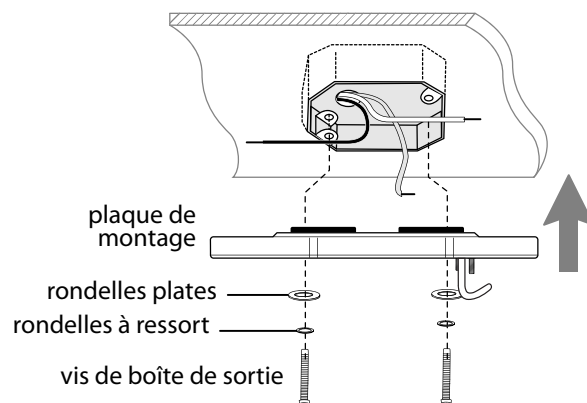
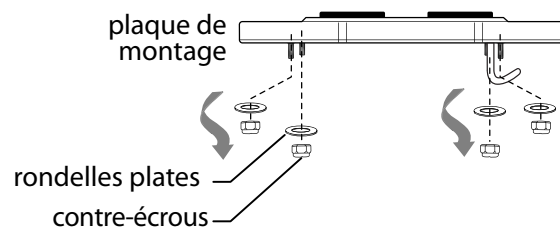
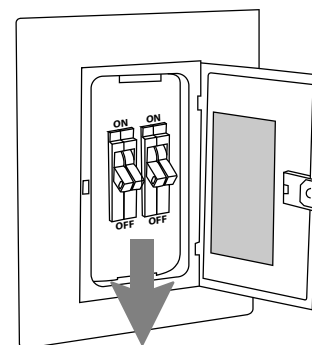
AVERTISSEMENT : En cas d'utilisation d'une boîte de sortie de courant existante, assurez-vous que la boîte de sortie de courant est bien fixée à la structure du bâtiment et qu'elle sera capable de supporter le poids total du ventilateur. Assurez-vous que la boîte de sortie de courant porte clairement la mention « Peut supporter un ventilateur. » Sinon, il faut la remplacer par une boîte de sortie de courant approuvée. Manquer à le faire pourrait entraîner des blessures graves.

ATTENTION : Assurez-vous que la boîte de sortie de courant est bien mise à la terre et qu'un fil mis à la terre (**VERT** ou dénudé) est présent.

Retirez quatre contre-écrous et les rondelles plates de la plaque de montage. Enregistrer pour une utilisation ultérieure.

Fixez le support de suspension à la boîte de sortie à l'aide des vis, rondelles à ressort et rondelles plates originales fournies avec la boîte de sortie de courant neuve ou originale. * Passer les fils électriques de la boîte de sortie à travers le trou au milieu de la plaque de montage.

***Remarque :** Il est très important d'utiliser la quincaillerie correcte lorsque vous installez le support de suspension, puisque c'est cet ensemble qui supportera le ventilateur.

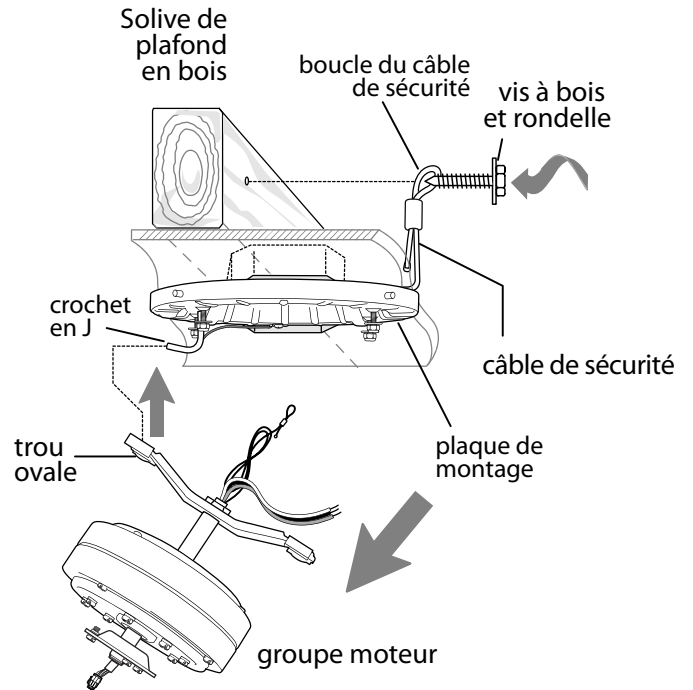


5. Préparation du câblage.

Soulevez l'ensemble moteur jusqu'à la plaque de montage. Accrochez le groupe moteur sur le crochet en J, en utilisant le trou ovale situé sur la plaque en haut de l'ensemble moteur. Cela permettra à l'assemblage du moteur de ne pas gêner pendant le câblage.

Conseil : Demandez l'assistance d'une autre personne pour tenir l'escabeau en place et pour soulever le ventilateur jusqu'à vous, une fois que vous êtes sur l'escabeau.

Trouvez un point de fixation sécuritaire (une solive de plafond en bois est fortement recommandée) et fixez solidement le câble de sécurité. Il sera nécessaire d'utiliser une vis à bois, une rondelle et une rondelle de blocage à usage intensif (non fournies) avec la boucle du câble de sécurité. Si nécessaire, ajustez la boucle à l'extrémité du câble de sécurité. La boucle à l'extrémité du câble de sécurité doit tout juste tenir par-dessus le filetage de la vis à bois. Testez le câble de sécurité en tirant avec une pince sur l'extrémité lâche du câble. Si le câble de sécurité glisse, la boucle doit être ajustée plus petite. Vous pouvez laisser le mou supplémentaire de câble dans l'espace du plafond.



6. Câblage.

AVERTISSEMENT: Désactivez les disjoncteurs contrôlant l'appareil au niveau du tableau à disjoncteurs et veillez à ce que l'interrupteur d'éclairage utilisé soit en position ARRÊT (OFF).

ATTENTION : Assurez-vous que la boîte de sortie de courant est bien mise à la terre et qu'un fil mis à la terre (**VERT** ou dénudé) est présent.

Assurez-vous que tous les branchements électriques sont conformes aux codes ou règlements locaux et au Code national de l'électricité. En cas de doute quant à la réalisation du câblage électrique ou si les fils de la maison/du bâtiment sont de couleurs différentes de ceux identifiés dans les instructions ci-dessous, veuillez consulter un électricien qualifié.

Une fois que votre ventilateur est fixé en place sur le support de suspension, vous pouvez effectuer le câblage électrique comme suit :

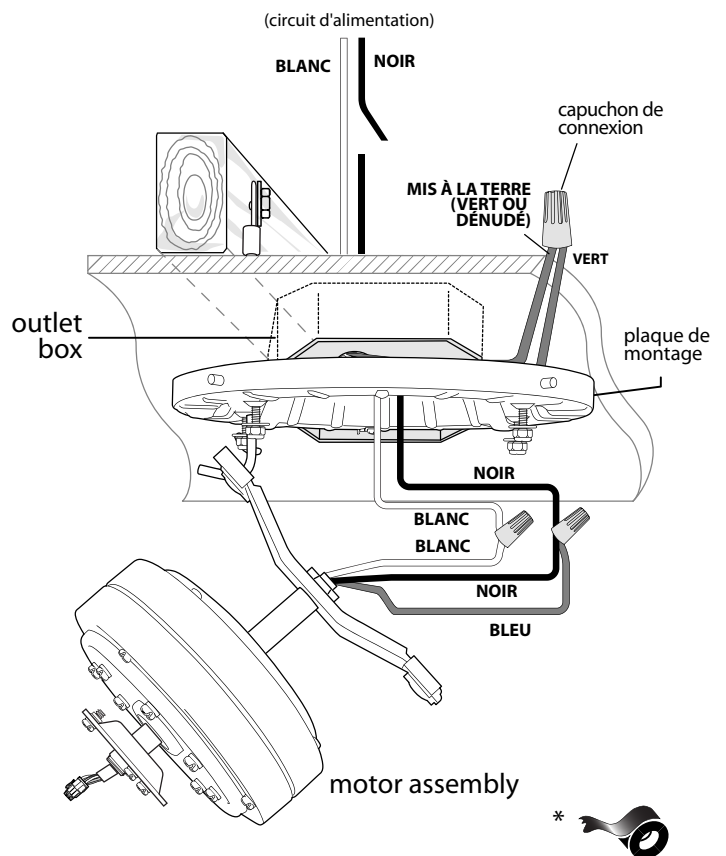
Raccordez le fil **NOIR** et **BLEU** du ventilateur au fil **NOIR** du plafond, avec le capuchon de connexion fourni.


Raccordez le fil **BLANC** du ventilateur au fil **BLANC** du plafond, avec le capuchon de connexion fourni.

Raccordez tous les fils **MIS À LA TERRE (VERTS)** du ventilateur ensemble au fil **DÉNUDÉ/VERT** du plafond, avec le capuchon de connexion fourni.

Si vous avez l'intention de contrôler l'éclairage du ventilateur à partir d'un interrupteur d'éclairage séparé, raccordez le fil **BLEU** du ventilateur au fil d'alimentation **NOIR** de l'interrupteur indépendant.

* Enveloppez chaque capuchon de connexion séparément avec du ruban isolant à titre de mesure de sécurité supplémentaire.



*  Ce ventilateur peut être adapté à une télécommande (télécommande vendue séparément).

7. Fan Assembly.

Sans retirer le groupe moteur du crochet en J, faites glisser le groupe moteur sur la plaque de montage, en alignant les trous de la plaque sur le dessus du groupe moteur avec les vis de la plaque de montage. Réinsérez les 4 rondelles plates et les 4 contre-écrous retirés précédemment (page 4, section 4) pour fixer le moteur. Serrez les 4 contre-écrous (**schéma 1**).

Remarque : assurez-vous que les fils et les connecteurs de fils ne s'emmêlent pas ou ne ne soient pas pincés entre les plaques.

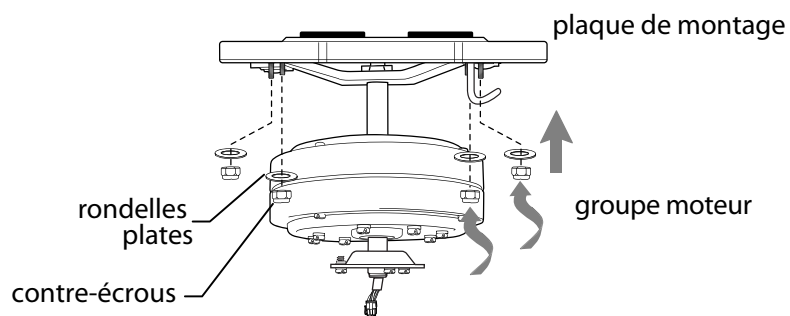


schéma 1

Soulevez le carter moteur jusqu'à la plaque de montage, en alignant 4 barres métalliques sur le bord intérieur du carter moteur avec 4 montants sur le bord de la plaque de montage. Tournez le carter moteur vers la DROITE pour le verrouiller (**schéma 2**).

AVERTISSEMENT : il est important que vous assuriez de tourner le carter moteur complètement vers la droite pour vous assurer que le carter moteur est complètement sécurisé.

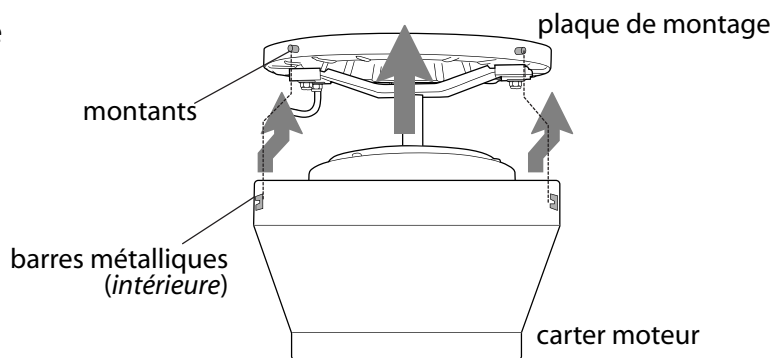


schéma 2

Retirez 5 vis / rondelles du dessous de le groupe moteur. Alignez les trous de la bande centrale avec les trous de vis de le groupe moteur, permettant à la fiche mâle du groupe moteur de passer par le trou au milieu de la bande centrale. Réinsérez les vis / rondelles que vous venez de retirer et serrez fermement les 5 vis / rondelles à l'aide d'un tournevis cruciforme (**schéma 3**).

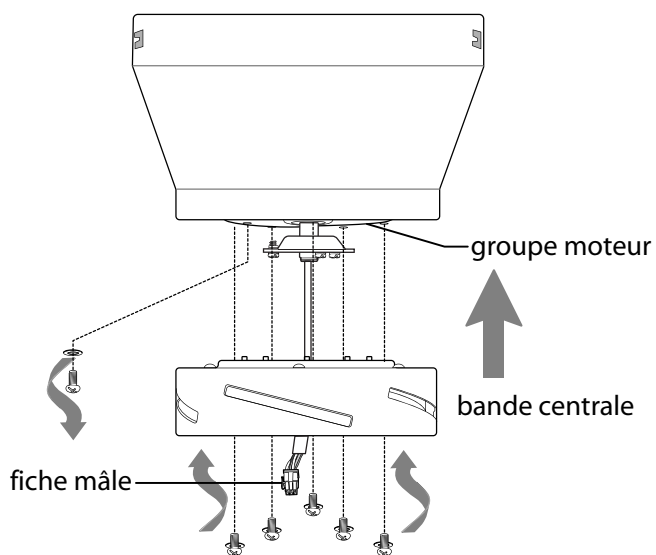


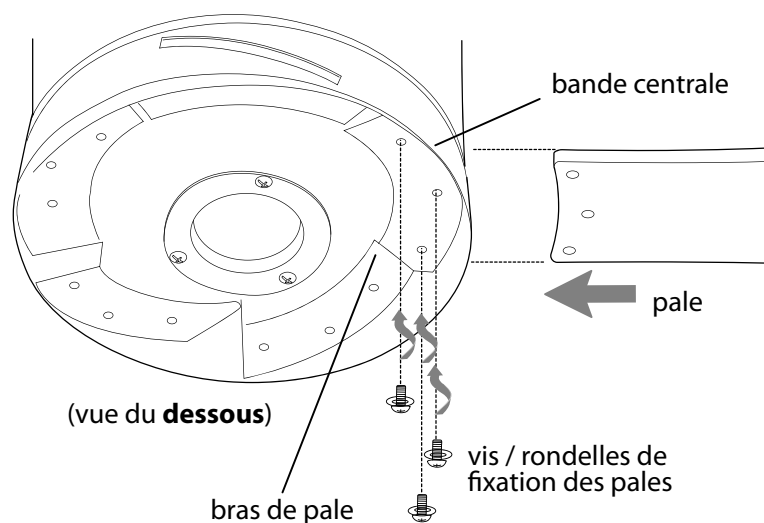
schéma 3

8. Assemblage et montage des pales.

AVERTISSEMENT : Afin de réduire le risque de blessures corporelles graves, NE PAS utiliser d'outils électriques pour assembler les pales. Si les vis sont trop serrées, les pales peuvent se fissurer et casser.

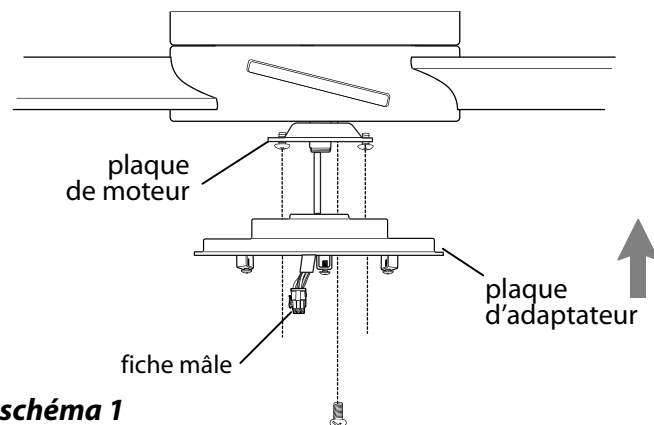
Repérez 15 vis / rondelles de fixation de pale dans le sac de quincaillerie. Faites glisser la pale par l'une des ouvertures étroites et rectangulaires de la bande centrale, en alignant les trous de la pale avec les trous du bras de pale **situé au dessous** de la bande centrale --voir schéma ci-contre. Insérez 3 vis / rondelles de fixation de pale avec les doigts d'abord, puis serrez bien les vis à l'aide d'un tournevis cruciforme. Répétez cette procédure pour chaque pale restante.

Remarque : Serrez les vis de support de pale deux fois par an.

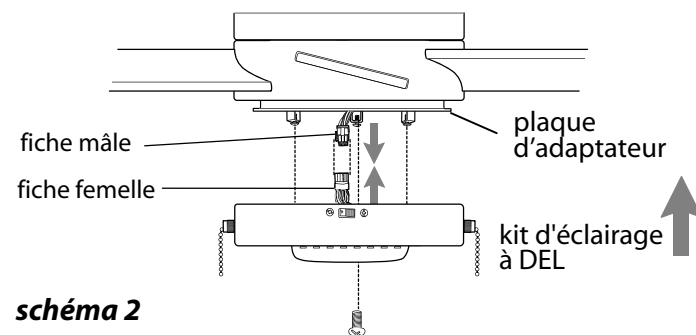


9. Assemblage du kit d'éclairage.

Retirez 1 vis de la plaque du moteur sous le groupe moteur et desserrez partiellement les 2 autres vis. Alignez les trous fendus au centre de la plaque de montage avec les vis desserrées de le boîtier du moteur, permettant à la fiche mâle du groupe moteur de passer par le trou au milieu de la plaque de montage. Tournez la plaque de montage pour verrouiller. Réinsérez la vis précédemment retirée et serrez fermement les 3 vis à l'aide d'un tournevis cruciforme. (**schéma 1**)

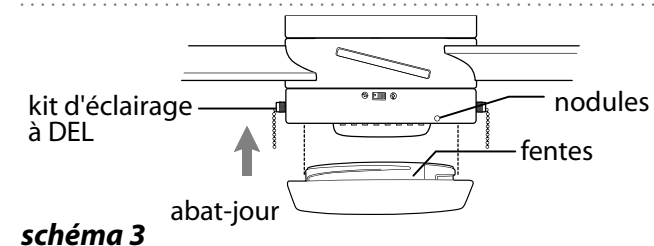


Retirez 1 vis du montant situé sous la plaque d'adaptateur et desserrez partiellement les 2 autres vis des 2 autres montants. Raccordez la fiche mâle du groupe moteur à la fiche femelle du kit d'éclairage à DEL. Veillez à ce que les fiches soient raccordées de manière bien serrée. Alignez les trous du kit d'éclairage à DEL avec les vis desserrées de la plaque d'adaptateur. Tournez la luminaire à DEL pour le verrouiller. Insérez à nouveau la vis retirée auparavant et serrez bien les 3 vis. (**schéma 2**)



Repérez les fentes sur l'abat-jour et alignez-les avec les nodules situés sur la face intérieure du kit d'éclairage à DEL. Tournez l'abat-jour avec précaution dans le sens des aiguilles d'une montre jusqu'à ce qu'il glisse en place. (**schéma 3**)

REMARQUE : Tirez l'abat-jour vers le bas TRÈS DÉLICATE pour vous assurer qu'il est fixé solidement.



10. Tester votre ventilateur.

Il est recommandé de tester le ventilateur avant de terminer l'installation. Rétablissez le courant au niveau du tableau à disjoncteurs et de l'interrupteur d'éclairage (le cas échéant). Vérifiez les vitesses du ventilateur avec la chaînette étiquetée FAN (VENTILATEUR). Commencez par la position OFF (Arrêt) (aucun mouvement de pale). En tirant la première fois, vous réglerez le ventilateur sur HI (élevée). Tirer la seconde fois réglera le ventilateur sur MEDIUM (moyenne). Tirer la troisième fois réglera le ventilateur sur LOW (faible). Tirer la quatrième fois remettra le ventilateur en mode OFF (Arrêt). Testez l'éclairage avec la chaînette étiquetée LIGHT (LUMIÈRE). (**schéma 1**) Si le ventilateur et/ou le luminaire ne fonctionne pas, veuillez vous reporter à la section « Dépannage » pour résoudre tout problème, avant de communiquer avec le service à la clientèle.

Éteignez complètement le ventilateur *avant* de déplacer l'interrupteur d'inversion. Réglez l'interrupteur d'inversion pour modifier la circulation de l'air selon la saison :

- Position à GAUCHE pendant l'été (**schéma 2**)
- Position à DROITE pendant l'hiver (**schéma 3**)

Un ventilateur de plafond vous permettra d'augmenter le réglage de votre thermostat pendant l'été et de le baisser en hiver, sans ressentir une différence au niveau du confort.

Important : L'interrupteur d'inversion doit être réglé soit *complètement* à GAUCHE soit *complètement* à DROITE pour permettre au ventilateur de fonctionner. Si l'interrupteur d'inversion est réglé en position du *milieu* (**schéma 4**), le ventilateur ne fonctionnera pas.

Fixez les rallonges de chaînette fournies ou les rallonges de chaînette sur mesure (vendues séparément) aux extrémités des chaînettes.

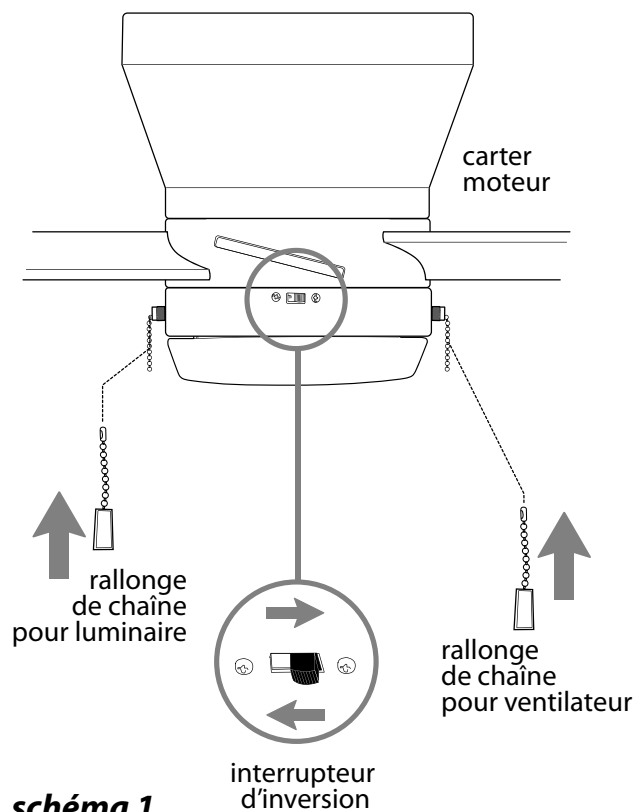


schéma 1

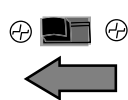


schéma 2

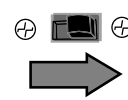


schéma 3



schéma 4

Dépannage.

AVERTISSEMENT : *Ne pas déconnecter l'alimentation électrique avant le dépannage de tout problème de câblage pourrait entraîner des blessures graves.*

Problème : Le ventilateur ne marche pas.

Solutions :

1. Vérifiez l'interrupteur mural contrôlant le ventilateur.
2. Vérifiez que l'interrupteur d'inversion est complètement réglé dans l'une ou l'autre direction.
3. Vérifiez que le ventilateur est correctement câblé.
4. Vérifiez que les fiches mâle et femelle sont branchées correctement dans le kit d'éclairage à DEL.

Problème : Le kit d'éclairage à DEL ne s'allume pas.

Solutions :

1. Vérifiez l'interrupteur mural contrôlant le ventilateur.
2. Assurez-vous que les fils de la monture sont câblés correctement.
3. Vérifiez que les fiches mâle et femelle sont branchées correctement dans le kit d'éclairage à DEL.

Problème : Le ventilateur fonctionne mais le luminaire ne s'allume pas.

Solutions :

1. Assurez-vous que les fils de la monture sont câblés correctement.
2. Vérifiez que les fiches mâle et femelle sont branchées correctement dans le kit d'éclairage à DEL.

Problème : Le ventilateur oscille.

Solutions :

1. Servez-vous du nécessaire d'équilibrage fourni dans l'un des sacs de quincaillerie. *Si aucun nécessaire d'équilibrage des pales n'est fourni, veuillez communiquer avec le service de soutien à la clientèle, au 1-800-486-4892, pour en réclamer un.*
2. Deserrez le groupe moteur avec soin et vérifiez que la plaque de montage et le groupe moteur sont bien fixés.
3. Vérifiez que le carter moteur est tourné complètement

Remplacement des pièces.

Pour les pièces et les renseignements, veuillez vous reporter à « Inventaire des pièces » à la page 3.

Soutien à la clientèle Craftmade :

1-800-486-4892

www.craftmade.com

Garantie.

GARANTIE À VIE LIMITÉE DE CRAFTMADE™ :

CRAFTMADE garantit ce ventilateur à l'acheteur résidentiel original pour une utilisation à l'intérieur en vertu des dispositions suivantes :

GARANTIE D'UN AN : CRAFTMADE remplacera ou réparera tout ventilateur qui ne marche pas bien, en raison d'un défaut de matériaux ou de main d'œuvre. Communiquez avec le service à la clientèle de Craftmade au

1-800-486-4892 pour organiser le retour du ventilateur. Retournez le ventilateur, en port payé, à Craftmade. Nous réparerons le ventilateur ou vous en enverrons un nouveau et nous couvrirons les frais d'expédition de retour.

GARANTIE DE 5 ANS : CRAFTMADE réparera ou remplacera gratuitement pour l'acheteur original, tout moteur de ventilateur qui ne fonctionne pas correctement, si cette défaillance résulte d'un usage normal.

RETOURNEZ LE MOTEUR DU VENTILATEUR UNIQUEMENT, en port payé, à Craftmade. Nous réparerons le moteur ou vous en enverrons un nouveau et Craftmade couvrira les frais d'expédition de retour.

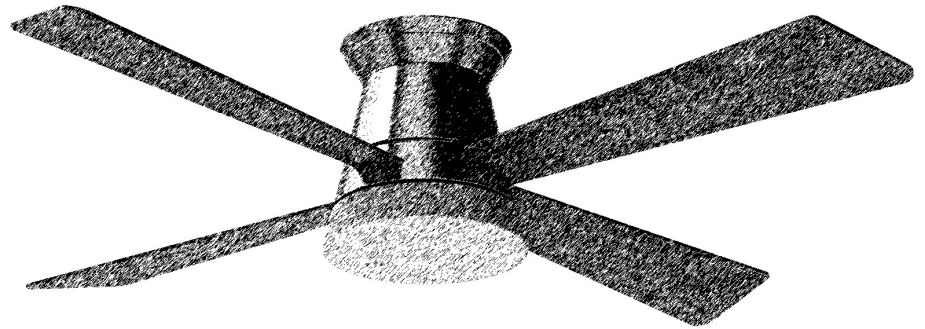
GARANTIE LIMITÉE DE 6 ANS ou À VIE : CRAFTMADE réparera le ventilateur sans facturer les frais de main d'œuvre uniquement à l'acheteur original, si le moteur du ventilateur ne fonctionne pas correctement, dans les cas où cette défaillance résulte d'un usage normal. Les pièces utilisées pour la réparation seront facturées à l'acheteur aux prix courants du marché au moment de la réparation.

L'acheteur sera responsable de tous les frais encourus pour le retrait, la réinstallation et l'expédition du produit pour les réparations.

Cette garantie n'est pas applicable lorsque des dommages causés par un abus mécanique, physique, électrique ou un abus dû à l'eau entraînent la défaillance. La détérioration des finis ou d'autres pièces au cours du temps ou en raison de l'exposition à l'air salin est spécifiquement exclue de cette garantie.

Ni Craftmade, ni le fabricant n'assumera aucune responsabilité en cas de mauvaise installation ou utilisation de ce produit. En aucun cas la société ne sera tenue responsable de tous dommages indirects en cas de violation de cette garantie ou de toute autre garantie expresse ou implicite quelconque. Cette restriction quant aux dommages indirects n'est pas applicable dans les états ou provinces où elle est interdite.

CRAFTMADE™



Merit

Guía de instalación

Para modelo:
MER52

Índice de materias:

Sugerencias de seguridad. Pág. 2

Desempaquetado del ventilador. Pág. 3

Inventario de piezas. Pág. 3

Preparación para la instalación. Pág. 4

Instalación de la placa de montaje. Pág. 4

Preparación para la instalación eléctrica. Pág. 5

Instalación eléctrica. Pág. 5

Instalación del ventilador. Pág. 6

Colocación de las aspas. Pág. 7

Instalación del juego de luz. Pág. 7

Verificación del funcionamiento del
ventilador. Pág. 8

Localización de fallas. Pág. 9

Piezas de repuesto. Pág. 9

Garantía. Pág. 9



peso neto del ventilador: 9,2 kg (20,28 lb)

IMPRESO EN CHINA

SUGERENCIAS DE SEGURIDAD.

ADVERTENCIA: Para evitar la posibilidad de una descarga eléctrica, desconectar la corriente en la caja de fusibles principal o el interruptor protector antes de iniciar la instalación del ventilador o antes de repararlo o instalar accesorios.

1. **LEER TODAS LAS INSTRUCCIONES E INFORMACIÓN DE SEGURIDAD CUIDADOSAMENTE ANTES DE INSTALAR SU VENTILADOR Y GUARDAR ESTAS INSTRUCCIONES.**

PRECAUCIÓN: Para reducir el riesgo de daño corporal, es posible que sea necesario usar guantes al manejar las piezas del ventilador que tengan bordes afilados.

2. Asegurarse de que todas las conexiones eléctricas cumplan con los Códigos o las Ordenanzas Locales, el Código Nacional Eléctrico y ANSI/NFPA 70-1999. Si usted no está familiarizado con el alambrado eléctrico o los cables de la casa/el edificio son de colores diferentes a los cuales se refieren en las instrucciones, favor de buscar un electricista calificado.
3. Asegurarse de que haya localizado una ubicación para su ventilador que permite el espacio necesario para la rotación de las aspas, y por lo menos 2,13 metros (7 pies) de espacio libre entre el piso y las puntas de las aspas. Debe instalar el ventilador para que las puntas de las aspas queden a una distancia de por lo menos 76 centímetros (30 pulgadas) de las paredes y otras estructuras verticales.
4. La caja de salida eléctrica debe estar bien sujeta a la viga de soporte del techo y deben ser capaces de sostener por lo menos 16 kilogramos (35 libras). La caja debe tener apoyo directo de la estructura del edificio. Sólo usar cajas de salida registradas con CUL (Canadá) o UL (EEUU) que indican que "sirven para ventilador" ("FOR FAN SUPPORT" en inglés).

ADVERTENCIA: Para reducir el riesgo de incendio, descarga eléctrica o daño corporal, instalar en la caja de salida marcada "Aceptable para sostener ventilador de 15,9 kg (35 lb) o menos" ["Acceptable for Fan Support of 15.9 kg (35 lb.) or less"] y utilizar los tornillos proporcionados con la caja de salida. La mayoría de las cajas de salida que normalmente se usan para sostener los aparatos de alumbrado no siempre son apropiadas para sostener ventiladores y es posible que las tenga que reemplazar. En caso de duda, consultar con un electricista calificado.

ADVERTENCIA: Para reducir el riesgo de incendio, descarga eléctrica o daño corporal, los conectores para cable provistos con este ventilador son diseñados para aceptar sólo un cable de calibre 12 de la casa y dos cables principales del ventilador. Si el calibre del cable de la casa es superior al 12 o hay más de un cable de la casa para conectar a los cables principales del ventilador al cual corresponda cada uno, consultar con un electricista para informarse sobre el tamaño correcto de conectores para cable que se debe usar.

5. Los diagramas eléctricos son únicamente para referencia.
6. Después de haber terminado la instalación, asegurarse de que todas las conexiones estén totalmente seguras.
7. Después de haber terminado todas las conexiones eléctricas, los conductores empalmados deben ser volteados para arriba y colocados cuidadosamente dentro de la caja de salida. Los alambres se deben de separar con el conductor a tierra a un lado y el conductor a tierra del equipo al lado opuesto.

ADVERTENCIA: Para reducir el riesgo de incendio o un choque eléctrico, no usar el ventilador con ningún control de velocidad de estado sólido ni controlar la velocidad del ventilador con un interruptor con reductor de luz de gama completa. [El usar un interruptor con reductor de luz de gama completa para controlar la velocidad del ventilador causará un zumbido recio del ventilador.] **(Nota:** Este ventilador *sí* sirve para usar con control remoto.)

8. No utilizar el interruptor de reversa hasta que el ventilador se haya parado completamente. **[Nota:** Si se usa un control remoto con capacidad de reversa, cambiar la dirección de las aspas sólo cuando el ventilador esté en velocidad BAJA.]
9. No insertar ningún objeto entre las aspas mientras estén rotando.

ADVERTENCIA: Para reducir el riesgo de daño corporal, no doblar los brazos de las aspas durante el ensamblaje ni durante la instalación. No insertar objetos entre las aspas mientras estén rotando.

ADVERTENCIA: Para reducir el riesgo de daño corporal o algún daño al ventilador, tener cuidado al estar trabajando alrededor del ventilador o limpiándolo.

10. No utilizar agua ni detergentes para limpiar el ventilador ni las aspas. Usar un trapo seco o ligeramente húmedo para su limpieza general.

ADVERTENCIA: Para reducir el riesgo de daño corporal, usar **sólo** las piezas provistas con este ventilador. **Al usar piezas DISTINTAS a las provistas con este ventilador se invalidará la garantía.**

ADVERTENCIA: Este ventilador DEBE instalarse con el cable de seguridad provisto. Si no se utiliza el cable de seguridad provisto, se pueden producir lesiones personales, daños al ventilador o a otras propiedades.

PRECAUCIÓN: NO manipular ni intentar reparar el componente LED de la lámpara. La fuente de luz está diseñada para esta aplicación específica y el mantenimiento no debe estar a cargo de personal sin capacitación. Si necesita algún tipo de mantenimiento, llamar a nuestro departamento de Servicio al cliente.

11. Se puede regular la luz hasta un 10% con el control remoto/control de pared provisto.

Las modificaciones no aprobadas por la parte responsable de la conformidad podrían invalidar la autorización del usuario para manejar el equipo. [El equipo se refiere al control remoto y/o el control de pared y/o el juego de luz LED.]

NOTA: Se han hecho pruebas en este equipo y se ha comprobado que cumple con los límites para un aparato digital de clase B, de acuerdo con la Parte 15 de las Reglas de la FCC. Se concibieron estos límites para proveer protección razonable contra la interferencia adversa en una instalación residencial. Este equipo produce, usa y puede radiar energía de radiofrecuencia y, si no se instala y no se usa según las instrucciones, puede causar interferencia adversa en la radiocomunicación. Sin embargo, no hay ninguna garantía de que no habrá interferencia en una instalación en particular. Si este equipo sí causa interferencia adversa en la recepción de radio o televisión, que se puede determinar apagando y prendiendo el equipo, se le urge al usuario a intentar rectificar la interferencia tomando una o más de las medidas que siguen:

- * Orientar la antena de nuevo o localizarla en otro sitio.
- * Aumentar la separación entre el equipo y el receptor.
- * Conectar el equipo a un tomacorriente en un circuito distinto al cual está conectado el receptor.

Solicitar ayuda del distribuidor o un técnico de radio/televisión.

El juego de luz LED cumple con la sección 15 de las reglas de la FCC. Se sujeta el funcionamiento a las dos condiciones siguientes: (1) este juego de luz LED no puede causar una interferencia perjudicial, (2) este juego de luz LED tiene que aceptar cualquier interferencia recibida, inclusive interferencia que puede producir un funcionamiento indeseado.

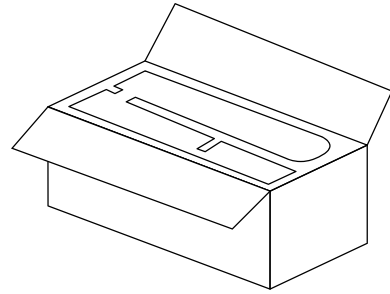
Distribuido por: Litex Industries Inc., P.O. Box 535639, Grand Prairie, TX, 75053; 1-800-527-1292

NOTA: No se debe concluir que las precauciones de seguridad importantes e instrucciones en este manual van a abarcar todas las condiciones y situaciones posibles que puedan ocurrir. Se debe entender que el sentido común y la precaución son factores necesarios en la instalación y la operación de este ventilador.

1. Desempaquetado del ventilador.

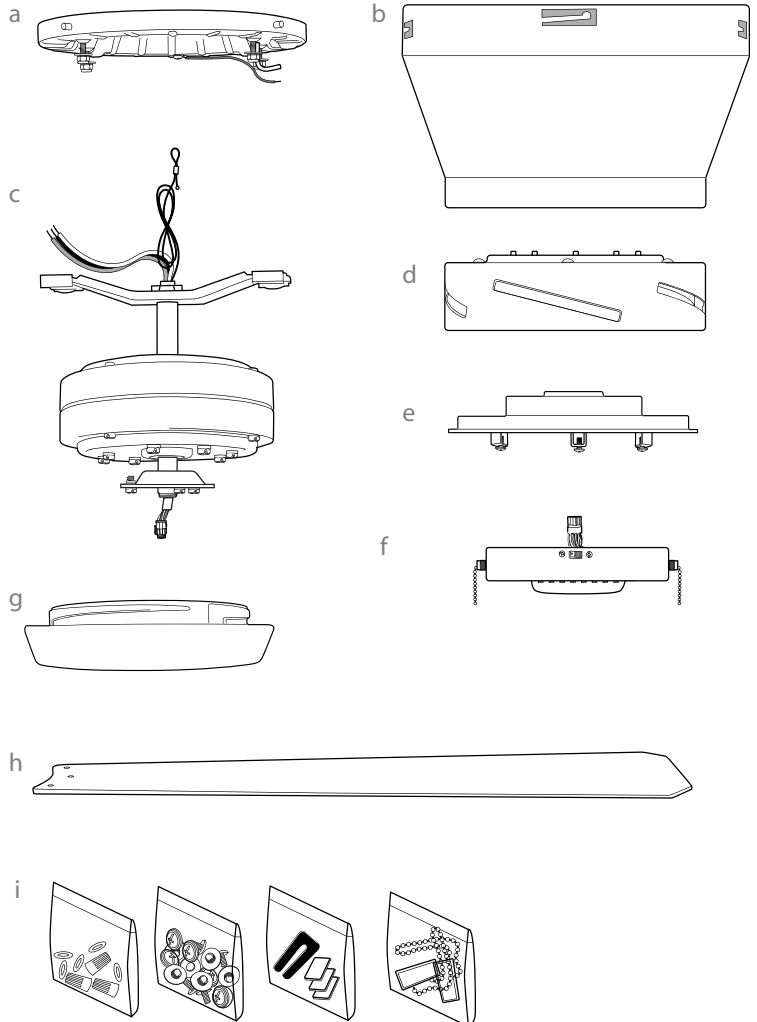
Abrir el paquete cuidadosamente. Sacar los artículos del embalaje. Sacar el motor y ponerlo en una alfombra o en el embalaje para evitar rayar el acabado. Guardar la caja de cartón o el empaquetamiento original en caso de que tenga que mandar el ventilador para alguna reparación.

Comprobar las piezas del ventilador con el inventario de piezas y verificar que se incluyeron todas.



2. Inventario de piezas.

- a.** placa de montaje. 1 unidad
- b.** bastidor del motor. 1 unidad
- c.** unidad del motor. 1 unidad
- d.** banda central. 1 unidad
- e.** placa de conexión. 1 unidad
- f.** juego de luz LED. 1 unidad
- g.** pantalla. 1 unidad
- h.** aspa. 5 unidades
- i.** paquetes de artículos de ferretería



! RECORDATORIO IMPORTANTE:
Se tienen que utilizar las piezas provistas con este ventilador para una instalación adecuada y su seguridad. **!**

3. Preparación para la instalación.

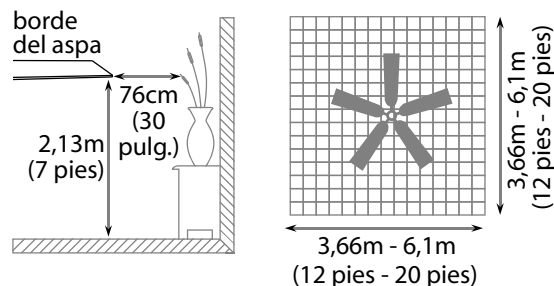
Para prevenir daño corporal y otros daños, esté seguro de que el lugar en donde va a colgar el ventilador le permite un espacio libre de 2,13m (7 pies) entre las puntas de las aspas y el piso y 76cm (30 pulg.) entre las aspas y cualquier pared u otra obstrucción.

Este ventilador es adecuado para habitaciones de hasta 37,2 metros cuadrados (400 pies cuadrados).

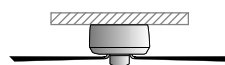
Este ventilador se puede colgar *solamente al ras con el techo* en un techo regular (sin inclinación). **No** se puede hacer **instalación con tubo** con este ventilador.

Se necesitan las herramientas siguientes para la instalación:

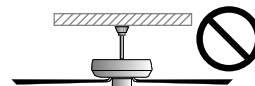
Destornillador de estrella Phillips, destornillador de paleta (plano), alicates ajustables o llave de tuercas, escalera de tijera, cortaalambres y cinta aisladora.



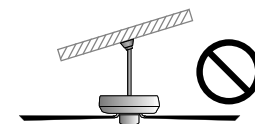
instalación al ras con el techo



instalación con tubo



NO se permite instalar en techo angulado ni abovedado.



4. Instalación de la placa de montaje.

Apagar los cortacircuitos en el panel de electricidad que suplen corriente a la caja de salida y asegurarse de que el interruptor de luz esté APAGADO.

ADVERTENCIA: no desconectar el suministro de fuerza antes de la instalación puede tener por resultado lesiones graves.

Quitar el aparato existente.

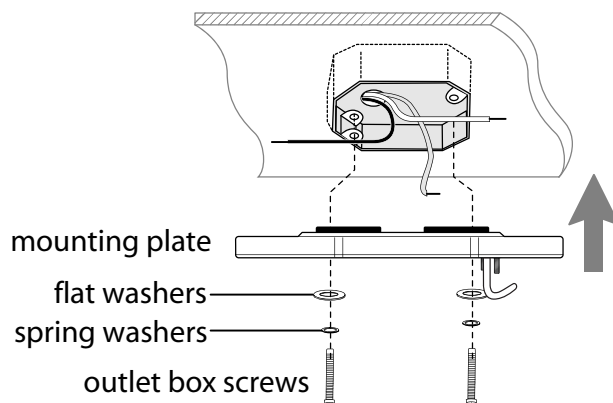
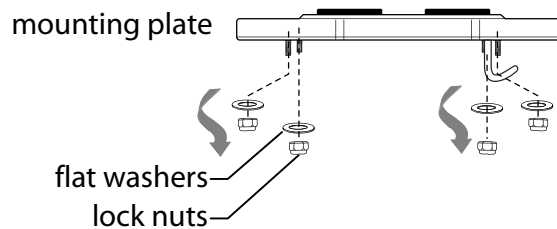
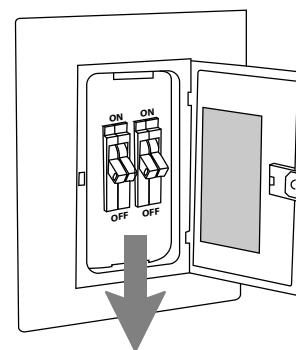
ADVERTENCIA: Si utiliza una caja de salida existente, asegurarse de que la caja de salida esté firmemente conectada a la estructura del edificio y que sea capaz de sostener el peso total del ventilador. Asegurarse de que la caja de salida indique claramente que "Sirve para ventilador" (FOR FAN SUPPORT); si no, se debe reemplazar con una caja de salida aprobada. No hacer el cambio si es necesario puede resultar en lesiones graves.

PRECAUCIÓN: Asegurarse de que la caja de salida esté conectada a tierra correctamente y que haya un conductor a tierra (**VERDE** o pelado).

Quitar las cuatro tuercas de bloqueo y las arandelas planas de la placa de montaje. Guardar para su uso posterior.

Instalar la placa de montaje utilizando los tornillos originales, las arandelas de resorte y las arandelas planas de su nueva o existente caja de salida.* Pasar el alambreado eléctrico (los cables) de la caja de salida por el agujero de en medio de la placa de montaje.

***Nota:** Es muy importante usar los artículos de ferretería correctos al instalar la placa de montaje puesto que sirve para sostener el ventilador.

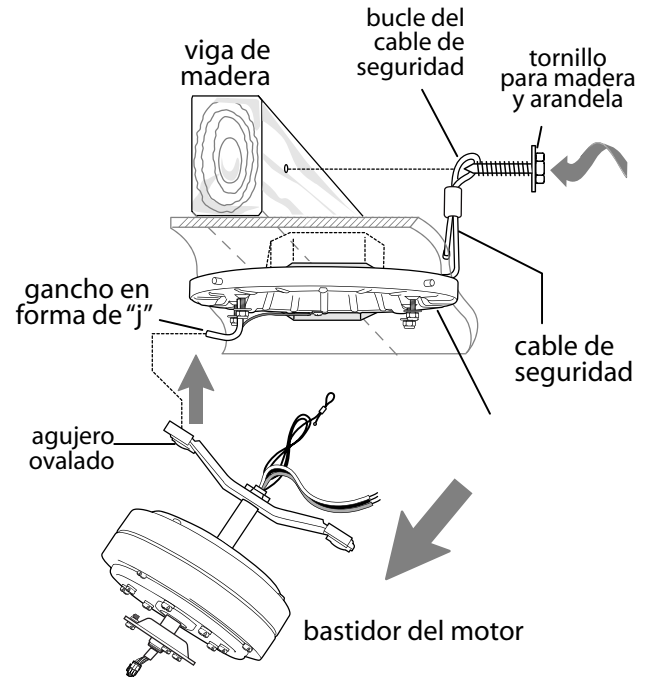


5. Preparación para la instalación eléctrica.

Subir la unidad del motor hasta la placa de montaje. Colgar la unidad del motor en el gancho en forma de "j" usando el agujero ovalado localizado en la placa de la parte superior de la unidad del motor. Esto permitirá que la unidad del motor permanezca a un lado mientras se hace la instalación eléctrica.

Sugerencia: Solicitar ayuda de otra persona para mantener sujeta la escalera y para que le suba el ventilador cuando usted ya esté preparado en la escalera para colgarlo.

Encontrar un punto de acoplamiento seguro (se recomienda la viga de madera en el techo) y asegurar el cable de seguridad. Utilizar tornillo para madera para trabajos pesados, arandela y arandela de seguridad (no provistos) en el bucle del cable de seguridad. Si es necesario, ajustar el bucle en el extremo del cable de seguridad. El bucle en el extremo del cable de seguridad debe ser de tal tamaño que pase justo sobre la punta de la parte roscada del tornillo para madera. *Poner el cable a prueba jalando con alicate la parte suelta en la punta del cable. Si el cable se desliza o se reduce el bucle del cable por donde pasa el tornillo, hay que ajustar el bucle de nuevo. Se puede poner el cable en exceso en el área del techo.*



6. Instalación eléctrica.

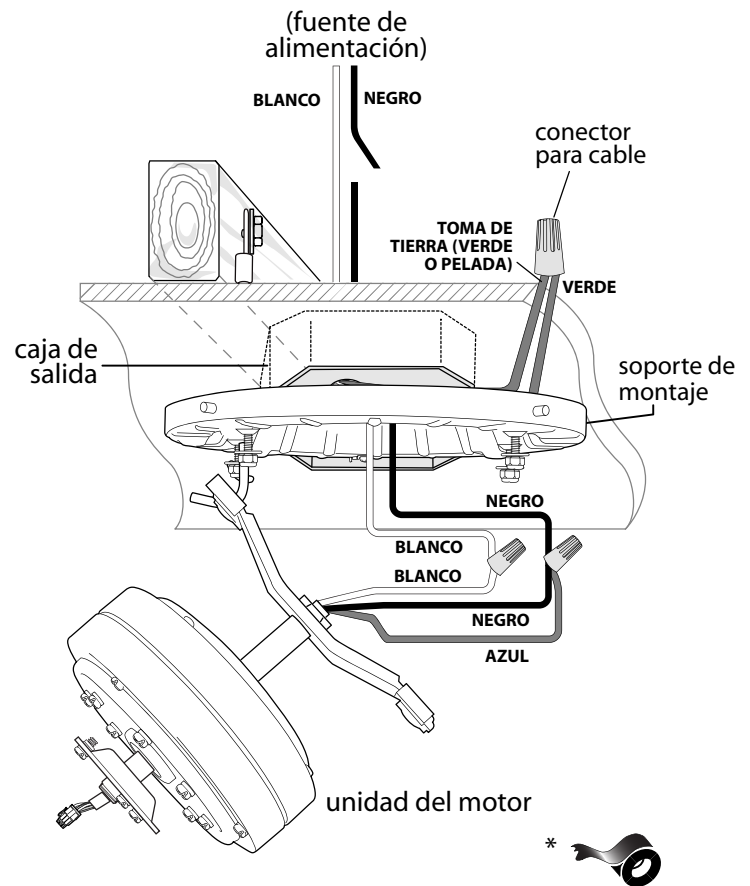
ADVERTENCIA: Apagar los cortacircuitos en el panel de electricidad que suplen corriente a la caja de salida y asegurarse de que el interruptor de luz esté APAGADO.

PRECAUCIÓN: Asegurarse de que la caja de salida esté conectada a tierra como es debido y que exista un conductor a tierra (**VERDE** o pelado).

Asegurarse de que toda conexión eléctrica cumpla con los Códigos o las Ordenanzas Locales y el Código Nacional Eléctrico. Si usted no está familiarizado con la instalación eléctrica o los cables de la casa/el edificio son de colores diferentes a los cuales se refieren a continuación, favor de buscar un electricista calificado.

Una vez que se haya colgado el ventilador temporalmente en la placa de montaje, se puede hacer la instalación eléctrica como sigue:
Conectar el cable **NEGRO** y **AZUL** del ventilador al cable **NEGRO** del techo con un conector para cable provisto.
Conectar el cable **BLANCO** del ventilador al cable **BLANCO** del techo con un conector para cable provisto.
Conectar el conductor a **TIERRA (VERDE)** de la placa de montaje al cable **PELADO/VERDE** del techo con un conector para cable provisto.
Si usted piensa controlar la luz del ventilador con un interruptor distinto, conectar el cable **AZUL** del ventilador al conductor **NEGRO** (o **ROJO**) que corresponde al interruptor independiente.

* Como una medida de seguridad adicional, envolver cada conector para cable por separado con cinta aisladora.



* Este ventilador es adaptable para usar con control remoto (a la venta por separado).

6. Instalación del bastidor del motor.

Sin quitar la unidad del motor del gancho en forma de “j”, deslizar la unidad del motor sobre la placa de montaje, alineando los orificios de la placa en el tope de la unidad del motor con los tornillos de la placa de montaje. Vuelva a insertar las 4 arandelas planas y las 4 tuercas de seguridad que quitó anteriormente (página 4, sección 4) para asegurar la unidad del motor. Apriete bien las 4 tuercas de seguridad. [Referirse al **diagrama 1**]. **Nota:** Asegúrese de que los cables y los conectores para cables no se enreden o queden apretados entre las placas.

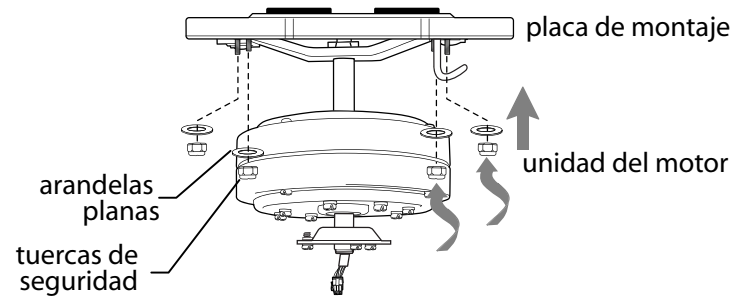


diagrama 1

Levante el bastidor del motor hasta la placa de montaje, alineando las 4 barras de metal en el borde interior del bastidor del motor con los 4 postes en el borde de la placa de montaje. Gire el bastidor del motor hacia la DERECHA para cerrarlo. [Referirse al **diagrama 2**].

ADVERTENCIA: Es importante que se asegure de girar el bastidor del motor completamente hacia la derecha para cerciorarse de que está totalmente seguro.

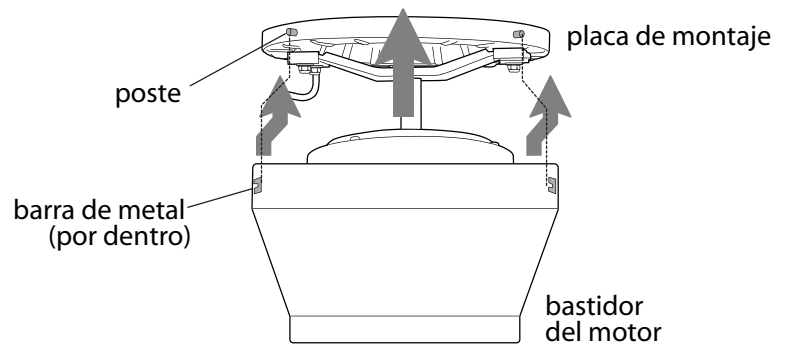


diagrama 2

Retirar 5 tornillos/arandelas de la parte inferior de la unidad del motor. Alinear los agujeros en la banda central con los agujeros de los tornillos en la unidad del motor, permitiendo que el enchufe macho de la unidad del motor pase por el agujero de en medio de la banda central. Vuelva a introducir los 5 tornillos/arandelas que acaba de sacar y asegúrelos bien con un destornillador de estrella Phillips. [Referirse al **diagrama 3**].

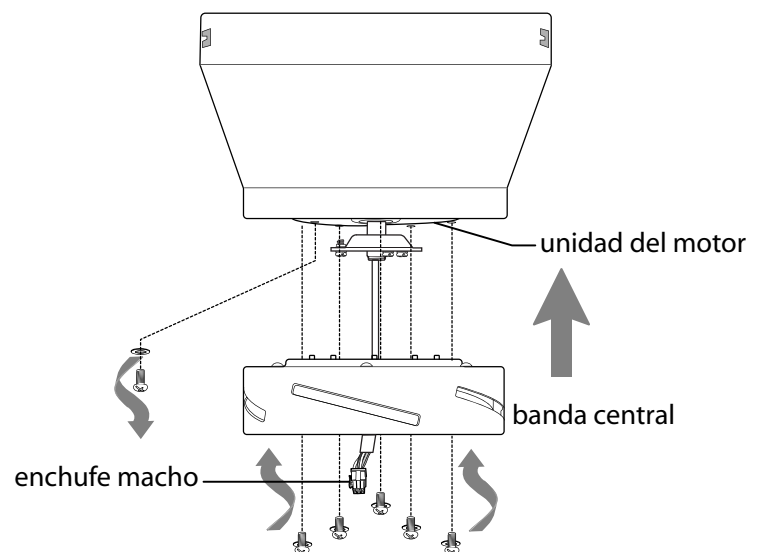


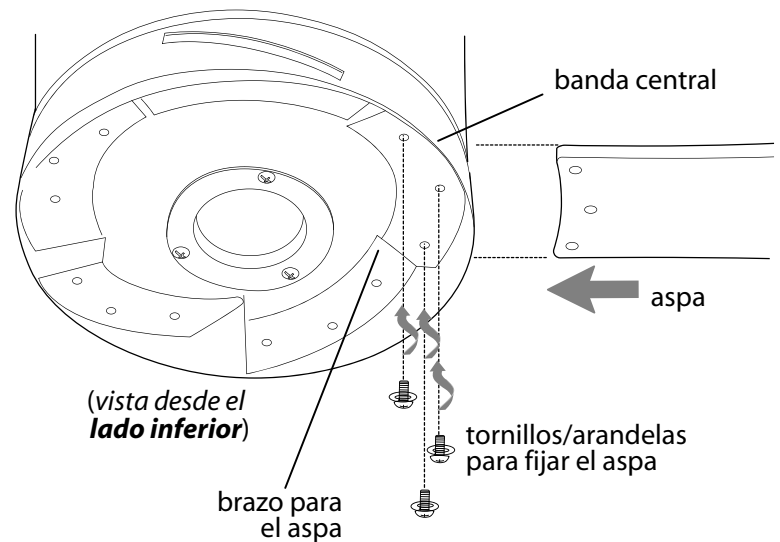
diagrama 3

8. Colocación de las aspas.

ADVERTENCIA: Para reducir el riesgo de lesiones corporales graves, NO utilizar herramientas eléctricas para ensamblar las aspas. Si aprieta demasiado los tornillos, las aspas podrían agrietarse y quebrarse.

Localizar los 15 tornillos/arandelas para fijar las aspas en uno de los paquetes de artículos de ferretería. Deslizar un asa por una de las aberturas estrechas y rectangulares de la banda central, alineando los agujeros en el asa con los agujeros en el brazo para el asa localizado en el lado **inferior** de la banda central, *referirse al dibujo al lado*. Introducir 3 tornillos/arandelas para fijar el asa con los dedos primero y luego apretarlos bien con un destornillador de estrella Phillips. Repetir el procedimiento con las demás aspas.

NOTA: Apretar los tornillos para fijar las aspas dos veces al año.



9. Instalación del juego de luz.

Quitar 1 tornillo de la placa del motor en el lado inferior del motor y parcialmente aflojar los otros 2 tornillos. Alinear los agujeros con ranura en el centro de la placa de conexión con los tornillos aflojados en la placa del motor, dejando que el enchufe macho del bastidor del motor pase por el agujero de en medio en la placa de conexión. Girar la placa de conexión para cerrarla. Volver a introducir el tornillo que se quitó anteriormente y apretar bien los 3 tornillos con destornillador de estrella Phillips. (**diagrama 1**).

Quitar 1 tornillo del poste localizado en la parte inferior de la placa de conexión y parcialmente aflojar los otros 2 tornillos en los otros 2 postes. Conectar el enchufe macho del bastidor del motor al enchufe hembra del juego de luz LED. Asegurarse de que se conecten bien los enchufes. Alinear los agujeros con ranura en el juego de luz LED con los tornillos aflojados en la placa de conexión. Girar el juego de luz LED para cerrarlo. Volver a introducir el tornillo que se quitó anteriormente y apretar bien los 3 tornillos. (**diagrama 2**).

Localizar las ranuras en la pantalla y alinearlas con los nódulos en la parte interior del juego de luz LED. Girar la pantalla cuidadosamente en el sentido de las agujas del reloj hasta que esté encajada. (**diagrama 3**).

NOTA: SUAVEMENTE jalar hacia abajo la pantalla para asegurarse de que esté sujeta.

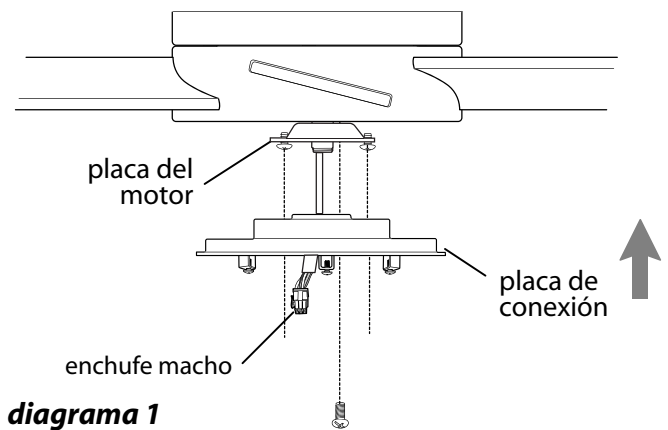


diagrama 1

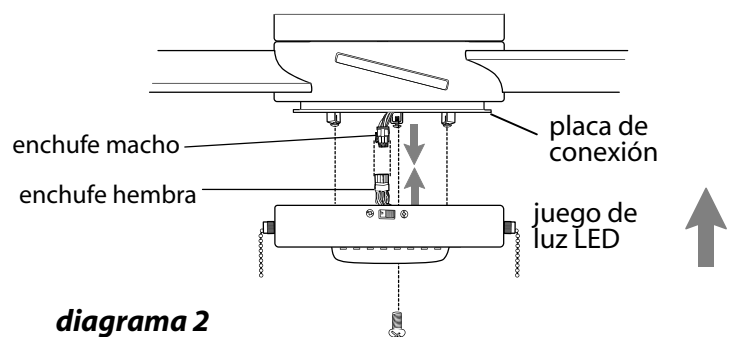


diagrama 2

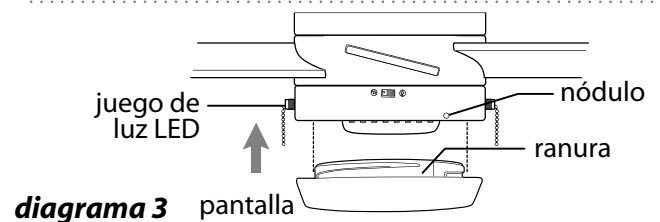


diagrama 3

10. Verificación del funcionamiento del ventilador.

Se le recomienda poner el ventilador a prueba antes de terminar la instalación. Regresar la corriente de electricidad en el cortacircuitos y encender el interruptor de la luz en la pared (si se aplica). Verificar las velocidades del ventilador con la cadena de encendido etiquetada VENTILADOR. Empezar en estado de APAGADO (sin movimiento de las aspas). Con el primer tirón el ventilador estará en marcha ALTA. El segundo tirón pondrá el ventilador en marcha MEDIA. El tercer tirón bajará el ventilador a marcha BAJA. Con el cuarto tirón se APAGARÁ el ventilador de nuevo. Poner a prueba la luz jalando la cadena de encendido etiquetada LUZ (**diagrama 1**). Si el ventilador y/o la luz no funciona(n), favor de referirse a la sección "Localización de fallas".

Apagar el ventilador completamente *antes* de mover el interruptor de reversa. Regularlo para que circule bien el aire dependiendo de las estaciones del año:

- posición IZQUIERDA en verano (**diagrama 2**)
- posición DERECHA en invierno (**diagrama 3**)

Un ventilador de techo le permitirá subir el termostato en verano y bajarlo en invierno sin notar una diferencia en su comodidad.

Importante: mover el interruptor de reversa *completamente* hacia la IZQUIERDA o *completamente* hacia la DERECHA para que funcione el ventilador. Si el interruptor de reversa está puesto en la posición *de en medio* (**diagrama 4**), no funcionará el ventilador.

Fijar las extensiones para las cadenas de encendido provistas a las cadenas de encendido o usar unas hechas a medida (a la venta por separado).

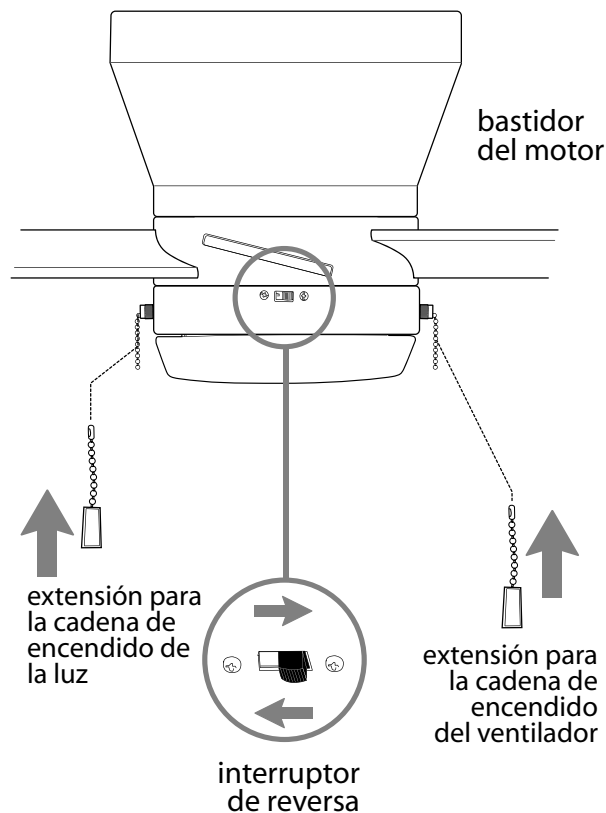


diagrama 1

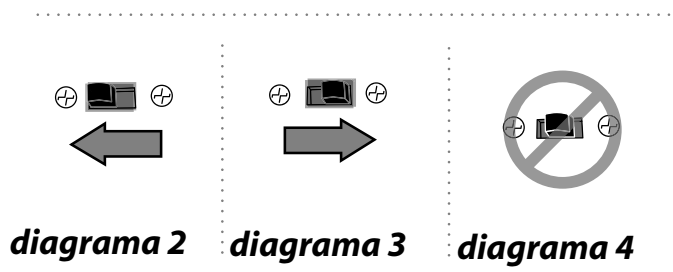


diagrama 2

diagrama 3

diagrama 4

Localización de fallas.

ADVERTENCIA: *el no desconectar el suministro de fuerza eléctrica antes de hacer localización de fallas para cualquier problema de instalación eléctrica puede causar lesiones graves.*

Problema: el ventilador no funciona.

Soluciones:

1. Inspeccionar el interruptor de pared del ventilador.
2. Verificar que el interruptor de reversa del ventilador está en una sola posición, no en medio de las dos.
3. Verificar la instalación eléctrica del ventilador.
4. Verificar que se conectaron bien los enchufes macho y hembra en el juego de luz LED.

Problema: el juego de luz no se ilumina.

Soluciones:

1. Inspeccionar el interruptor de pared del ventilador.
2. Verificar que se hizo correctamente la conexión de cables en la cubierta decorativa.
3. Verificar que se conectaron correctamente los enchufes macho y hembra en el juego de luz LED.

Problema: el ventilador funciona pero la luz no.

Soluciones:

1. Verificar que se hizo correctamente la conexión de cables en la cubierta decorativa.
2. Verificar que se conectaron correctamente los enchufes macho y hembra en el juego de luz LED.

Problema: el ventilador se tambalea.

Soluciones:

1. Usar el juego para balancear las aspas incluido en uno de los paquetes de artículos de ferretería. *Si no se incluye un juego para balancear las aspas, llamar al Servicio al cliente, 1-800-486-4892, para pedir uno.*
2. Con cuidado aflojar el bastidor del motor y averiguar que la placa de montaje y la unidad del motor están seguros.
3. Averiguar que se giró completamente el bastidor del motor.

Piezas de repuesto.

Para piezas o información, referirse al "Inventario de piezas" en la página 3.

Servicio al cliente de Craftmade

1-800-486-4892

www.craftmade.com

Garantía.

GARANTIA LIMITADA DE POR VIDA DE CRAFTMADE™: CRAFTMADE garantiza este ventilador al comprador original de grupo familiar para uso interior con las siguientes condiciones:

GARANTIA DE 1 AÑO: CRAFTMADE reemplazará o reparará cualquier ventilador que tenga funcionamiento deficiente debido a defectos en los materiales o trabajo manual. Comunicarse con el Servicio al cliente de CRAFTMADE al **1-800-486-4892** para acordar el reenvío del ventilador. Devolver el ventilador, con los gastos de envío prepagados, a Craftmade. Nosotros repararemos o reemplazaremos el ventilador y pagaremos los gastos de envío de regreso.

GARANTIA DE 5 AÑOS: CRAFTMADE reemplazará o reparará sin costo al comprador original, cualquier motor de ventilador que no funcione de manera satisfactoria a causa de uso normal.

DEVOLVER EL MOTOR SOLAMENTE, los gastos de envío prepagados, a Craftmade. Nosotros repararemos el motor al comprador o le enviaremos uno de reemplazo y Craftmade pagará los gastos de envío de regreso.

GARANTIA LIMITADA DE 6 AÑOS hasta DE POR VIDA: CRAFTMADE reparará el ventilador, sin costo al comprador original por el coste laboral, si el motor del ventilador no funciona satisfactoriamente a causa del uso normal. Las piezas que se utilizan en hacer la reparación serán facturadas al comprador a los precios prevalecientes en el momento de la reparación.

El comprador original será responsable de todos los gastos incurridos en sacar, reinstalar y enviar el producto para reparación.

Esta garantía no se aplica cuando el ventilador tenga daños por abuso mecánico, físico, eléctrico o por agua resultando en su mal funcionamiento. Se exenta específicamente el deterioro en el acabado u otras partes debido al tiempo o exposición al aire marino bajo esta garantía.

Ni Craftmade ni el fabricante se harán responsables por lo que pasa por una instalación inadecuada o el uso impropio de este producto. La compañía no se hará responsable en ningún caso de ningún daño emergente por incumplimiento de esta o cualquier otra garantía expresada o implicada en absoluto. Esta limitación de daños emergentes no se aplicará en estados donde es prohibido.

CRAFTMADE™