

NLINSW

L-Line LED Direct Linear with Selectable Lumens & CCT

Source: 10W to 82W LED
2400lm to 9700lm

Type
Project
Catalog No.
Notes

PRODUCT DESCRIPTION

L-Line series offers a clean and modern appearance with a sleek extruded aluminum housing. Symmetrical light distribution will evenly illuminate surfaces with a diffused lens, making the L-Line ideal for commercial, retail, healthcare and education applications. Available in surface or pendant mounting options. Series can be connected with seamless luminous L, X or T connectors.

FEATURES

- Two integral switches to change the lumen output and color temperature
- Selectable CCT switch changes color temperature from 3000K / 3500K / 4000K
- Surface mount or pendant mounting kits available
- 120-277V input and 0-10V dimming
- Luminaires can be connected together or individually installed

SPECIFICATION

Construction: One piece extruded aluminum housing with solid end caps. Includes diffused polycarbonate lens for symmetrical light distribution.

Tunable Switches: Each luminaire includes two switches on the top of the driver enclosure. Selectable Lumen switch changes the lumen output and wattage. Selectable CCT switch changes the color temperature.

Mounting: Luminaires include an extruded slot for surface mounting or pendant mounting. Junction box cover is available for surface mounting applications. When pendant mounting, it is recommended to use two hanging points (NLIN-CC) per fixture. Power mounting kit includes two hanging points.

ELECTRICAL

Input Voltage: 120-277V
Lumens / Wattage: See chart below
Color Temperature: Selectable CCT (3000K/3500K/4000K)
Color Rendering Index: 80+ CRI
Beam Spread: 110° Wide Flood
Operating Temperature:
 NLINSW-2 = 0°C to 30°C
 NLINSW-4 = 0°C to 30°C
 NLINSW-8 = 0°C to 30°C
 NLINSW-X = 0°C to 27°C
 NLINSW-T = 0°C to 27°C
 NLINSW-L = 0°C to 27°C
Dimming: 0-10V dimming down to 10%
Maximum Run Length: 80'

ACCESSORIES

- NLIN-PCC:** 8' Pendant & Power Mounting Kit (aircraft + power cord canopy & aircraft canopy)
- NLIN-PCC/20:** 20' Pendant & Power Mounting Kit (aircraft + power cord canopy & aircraft canopy)
- NLIN-CC:** 8' Pendant Mounting Kit (aircraft canopy)
- NLIN-CC/20:** 20' Pendant Mounting Kit (aircraft canopy)
- NLIN-JBC:** Surface Mounting Kit (junction box cover, decorative end caps and mounting hardware)
- NLIN-JBC-PLATE-B:** Junction Box Cover Plate (requires NLIN-JBC)
- NLINSW-LENS/41:** 41" Continuous Lens (field cuttable - special order)
- NLINSW-LENS/82:** 82" Continuous Lens (field cuttable - special order)

Emergency: Luminaire is compatible with [NEPK-20LEDUNV](#) (ordered separately). Battery operates luminaire at 20W for 90 minute emergency operation with a fully charged battery.

LABELS AND LISTINGS

- cULus Listed for Damp Location
- 5-Year Limited Warranty
- FCC Compliant



PRODUCT IMAGES & DIMENSIONS



Function	2'	4'	8'	X	L	T
50% output	1200lm / 10W	2425lm / 20W	4875lm / 40W	3500lm / 30W	1725lm / 15W	2600lm / 23W
75% output	1800lm / 15W	3600lm / 30W	7300lm / 60W	5250lm / 44W	2550lm / 23W	3900lm / 34W
100% output	2400lm / 21W	4850lm / 42W	9750lm / 82W	7000lm / 57W	3450lm / 30W	5200lm / 43W

Lumens shown at 4000K

L-Line LED Direct Linear with Selectable Lumens & CCT - Mounting kits are required

Length	Color Temperature	Finish
NLINSW-2 = 2' (actual length: 24")	334 = Selectable CCT (3000K/3500K/4000K)	B = Black
NLINSW-4 = 4' (actual length: 48")		W = White
NLINSW-8 = 8' (actual length: 92.375")		
Connector	Color Temperature	Finish
NLINSW-X = X-Connector	334 = Selectable CCT (3000K/3500K/4000K)	B = Black
NLINSW-L = L-Connector		W = White
NLINSW-T = T-Connector		

Accessories

Description	Finish
NLIN-PCC = 8' Pendant & Power Mounting Kit (power canopy & support canopy)	B = Black W = White
NLIN-PCC/20 = 20' Pendant & Power Mounting Kit (power canopy & support canopy)	
NLIN-CC = 8' Pendant Mounting Kit (support canopy)	
NLIN-CC/20 = 20' Pendant Mounting Kit (support canopy)	
NLIN-JBC = Surface Mount Kit (included white plate)	
NLIN-JBC-PLATE = Junction Box Cover Plate (black only)	
NEPK-20LEDUNV = 20W Emergency Battery w/Remote Test Switch	
NLINSW-LENS/41 = 41" Continuous Lens (field cuttable - special order)	
NLINSW-LENS/82 = 82" Continuous Lens (field cuttable - special order)	

Example: **NLINSW-2334B** = 2' L-Line LED Direct Linear with Selectable Lumens & CCT, Black finish

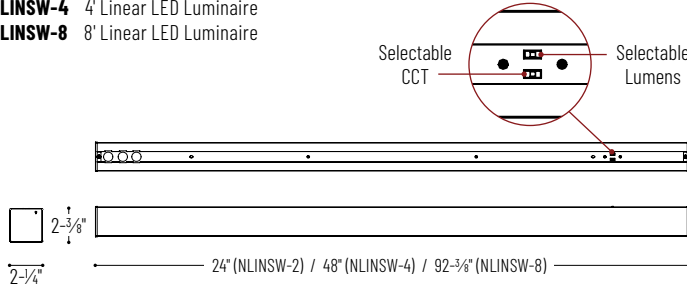
NLINSW

L-Line LED Direct Linear with Selectable Lumens & CCT

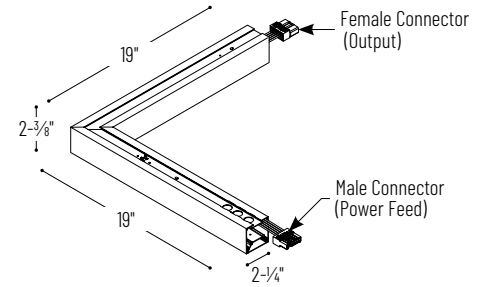
Source: 10W to 82W LED
1400lm to 9700lm

Type	
Project	
Catalog No.	
Notes	

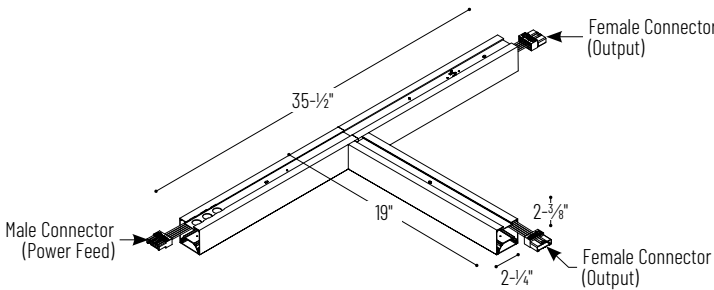
- NLINSW-2 2' Linear LED Luminaire
- NLINSW-4 4' Linear LED Luminaire
- NLINSW-8 8' Linear LED Luminaire



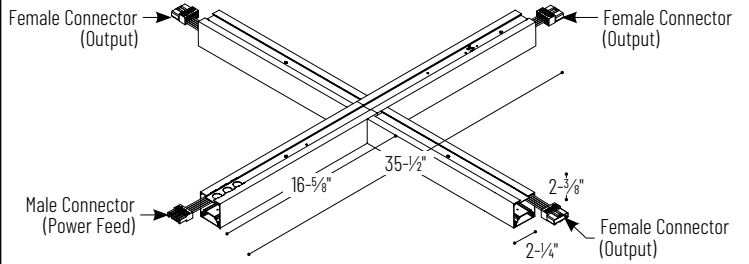
NLINSW-L "L" Shaped LED Luminaire



NLINSW-T "T" Shaped LED Luminaire



NLINSW-X "X" Shaped LED Luminaire



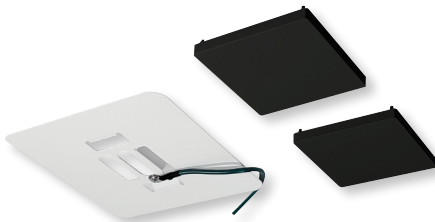
- NLIN-PCC 8' Pendant Power & Aircraft Mounting Kit
 - NLIN-PCC/20 20' Pendant Power & Aircraft Mounting Kit
- Includes (1) suspension point and (1) suspension + power cord + electrical connectors



- NLIN-CC 8' Aircraft Mounting Kit
 - NLIN-CC/20 20' Aircraft Mounting Kit
- Mounting point required on each end of luminaire.



- NLIN-JBCB Surface Mount Kit with Black End Caps
 - NLIN-JBCW Surface Mount Kit with White End Caps
- Includes power cord, end caps and white junction box cover plate. Black cover plate ordered separately (NLIN-JBC-PLATE-B)



- NLIN-JBC-PLATE-B Black Junction Box Cover Plate
- Replaces white cover plate included with NLIN-JBC. Power cord not included.



NLINSW Sample Layout

L-Line LED Direct Linear with Selectable Lumens & CCT

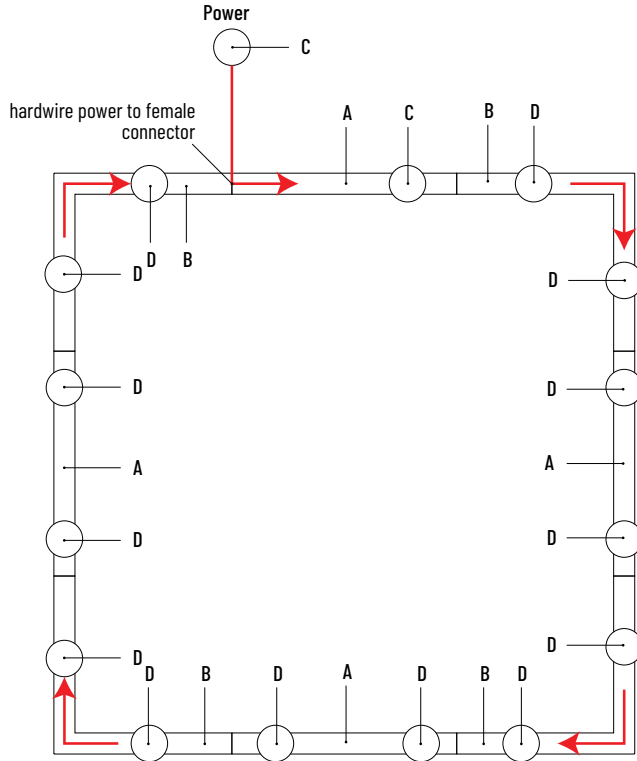
Source: 10W to 82W LED
1400lm to 9700lm

Type _____

Project _____

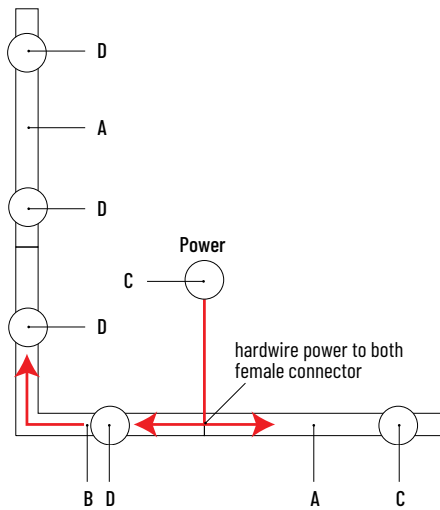
Catalog No. _____

Notes _____



	DESCRIPTION	ITEM #
A	L-Line LED Linear	NLINSW-2334 NLINSW-4334 NLINSW-8334
B	L-Connector	NLINSW-L334
C	Power Kit	NLIN-PCC
D	Pendant Kit	NLIN-CC

Maximum Run Length: 80'



PHOTOMETRICS

L-Line LED Direct Linear with Selectable Lumens & CCT

Type

Project

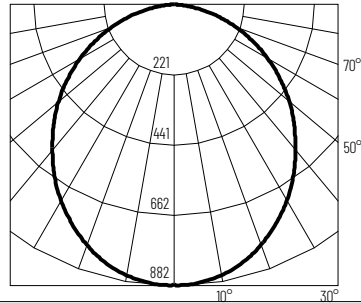
Catalog No.

Notes

Test Information

Test Number: L082312101
 Part Number: NLINSW-2334W
 Beam Spread: 110° Wide Flood
 Lumens: 2432lm
 Wattage: 20.03W
 Efficacy: 121lpw
 CCT / CRI: 4000K / 80 CRI
 Spacing Criteria (0°-180°): 1.24
 Spacing Criteria (90°-270°): 1.24

Polar Curve



Zonal Lumen Summary

Zone	Lumens	% Luminaire
0-30	675	27.8
0-40	1102	45.3
0-60	1938	79.7
0-90	2432	100
90-180	0	0
0-180	2432	100

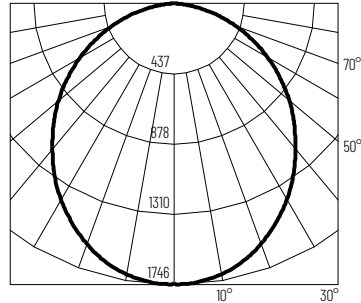
Candela Table

Vertical Angles	Candela
0	878
5	870
15	831
25	762
35	669
45	554

Test Information

Test Number: L082312102
 Part Number: NLINSW-4334W
 Beam Spread: 110° Wide Flood
 Lumens: 4879lm
 Wattage: 39.46W
 Efficacy: 124lpw
 CCT / CRI: 4000K / 80 CRI
 Spacing Criteria (0°-180°): 1.24
 Spacing Criteria (90°-270°): 1.24

Polar Curve



Zonal Lumen Summary

Zone	Lumens	% Luminaire
0-30	1340	27.5
0-40	2189	44.9
0-60	3864	79.2
0-90	4879	100
90-180	0	0
0-180	4879	100

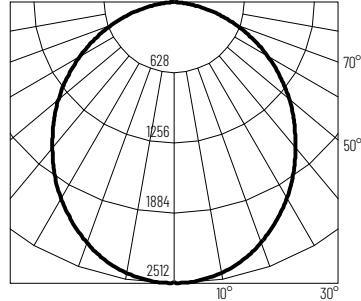
Candela Table

Vertical Angles	Candela
0	1739
5	1729
15	1659
25	1529
35	1351
45	1129

Test Information

Test Number: L082312103
 Part Number: NLINSW-X334W
 Beam Spread: 110° Wide Flood
 Lumens: 7017lm
 Wattage: 57.84W
 Efficacy: 121lpw
 CCT / CRI: 4000K / 80 CRI
 Spacing Criteria (0°-180°): 1.24
 Spacing Criteria (90°-270°): 1.24

Polar Curve



Zonal Lumen Summary

Zone	Lumens	% Luminaire
0-30	1936	27.6
0-40	3164	45.1
0-60	5576	79.5
0-90	7017	100
90-180	0	0
0-180	7017	100

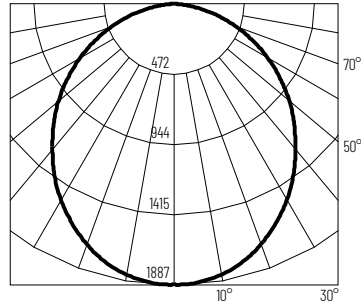
Candela Table

Vertical Angles	Candela
0	2508
5	2479
15	2381
25	2202
35	1945
45	1627

Test Information

Test Number: L082312105
 Part Number: NLINSW-T334W
 Beam Spread: 110° Wide Flood
 Lumens: 5235lm
 Wattage: 43.72W
 Efficacy: 120lpw
 CCT / CRI: 4000K / 80 CRI
 Spacing Criteria (0°-180°): 1.26
 Spacing Criteria (90°-270°): 1.24

Polar Curve



Zonal Lumen Summary

Zone	Lumens	% Luminaire
0-30	1447	27.6
0-40	2365	45.2
0-60	4166	79.6
0-90	5235	100
90-180	0	0
0-180	5235	100

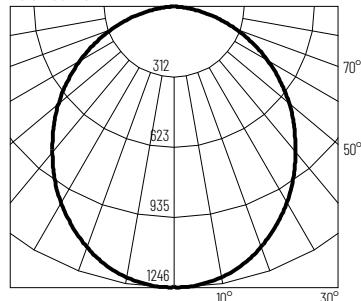
Candela Table

Vertical Angles	Candela
0	1879
5	1857
15	1797
25	1674
35	1498
45	1271

Test Information

Test Number: L082312104
 Part Number: NLINSW-L334W
 Beam Spread: 110° Wide Flood
 Lumens: 3449lm
 Wattage: 30.1W
 Efficacy: 115lpw
 CCT / CRI: 4000K / 80 CRI
 Spacing Criteria (0°-180°): 1.26
 Spacing Criteria (90°-270°): 1.26

Polar Curve



Zonal Lumen Summary

Zone	Lumens	% Luminaire
0-30	959	27.8
0-40	1565	45.4
0-60	2753	79.8
0-90	3449	100
90-180	0	0
0-180	3449	100

Candela Table

Vertical Angles	Candela
0	1243
5	1241
15	1199
25	1112
35	986
45	826