



# nPP PCD

## Phase Adaptive Dimming Power Pack

### FAMILY INSTRUCTIONS



Expanding the boundaries of lighting™



TITLE 20/24

Full warranty terms located at: [www.acuitybrands.com/CustomerResources/Terms\\_and\\_conditions.aspx](http://www.acuitybrands.com/CustomerResources/Terms_and_conditions.aspx)

#### WARRANTY

5-year limited warranty.

Note: Specifications subject to change without notice.

Actual performance may differ as a result of end-user environment and application.

- To reduce the risk of death, personal injury or property damage from fire, electric shock, falling parts, cuts/abrasions, and other hazards please read all warnings and instructions included with and on the fixture box and all fixture labels.
- Before installing, servicing, or performing routine maintenance upon this equipment, follow these general precautions.
- Installation and service should be performed by a qualified licensed electrician.
- Maintenance should be performed by qualified person(s) familiar with the products' construction & operation & any hazards involved. Regular maintenance programs recommended.
- To be installed to a circuit with overvoltage control to Overvoltage category Cat.III or less, minimum suppression rating 6.0 kV for a 600 V ac rms system voltage
- **DO NOT INSTALL DAMAGED PRODUCT!** This product has been properly packed so that no parts should have been damaged during transit. Inspect to confirm. Any part damaged or broken during or after assembly should be replaced.

**CAUTION: RISK OF PRODUCT DAMAGE**

- ✓ Electrostatic Discharge (ESD): ESD can damage product(s). Personal grounding equipment should be worn during all installation or servicing of the unit.
- ✓ Do not touch individual electrical components, as this can cause ESD and affect product performance.
- ✓ Do not stretch or use cable sets that are too short or are of insufficient length.
- ✓ Do not tamper with contacts.
- ✓ Do not modify the product.
- ✓ Do not change or alter internal wiring or installation circuitry.
- ✓ Do not use product for anything other than its intended use.

**WARNING - RISK OF ELECTRIC SHOCK**

- ✓ Disconnect or turn off power before installation or servicing.
- ✓ Verify that supply voltage is correct by comparing it with the product information.
- ✓ Make all electrical and grounded connections in accordance with the National Electrical Code (NEC) and any applicable local code requirements.
- ✓ All wiring connections should be capped with UL approved recognized wire connectors.
- ✓ All unused connector openings must be capped.

**WARNING - RISK OF BURN OR FIRE**

- ✓ Do not exceed maximum wattage, ratings, or published operation conditions of product.
- ✓ Do not overload.
- ✓ Follow all manufacturer's warnings, recommendations and restrictions to ensure proper operation of product.

**CAUTION - RISK OF INJURY**

- ✓ Wear gloves and safety glasses at all times when installing, servicing or performing maintenance.

**IMPORTANT SAFEGUARDS**

WHEN USING ELECTRICAL EQUIPMENT, BASIC SAFETY PRECAUTIONS SHOULD ALWAYS BE FOLLOWED INCLUDING THE FOLLOWING:

- **DO NOT USE OUTDOORS.**
- **DO NOT MOUNT NEAR GAS OR ELECTRIC HEATERS.**
- **EQUIPMENT SHOULD BE MOUNTED IN LOCATIONS AND AT HEIGHTS WHERE IT WILL NOT READILY BE SUBJECTED TO TAMPERING BY UNAUTHORIZED PERSONNEL.**
- **THE USE OF ACCESSORY EQUIPMENT NOT RECOMMENDED BY THE MANUFACTURER MAY CAUSE AN UNSAFE CONDITION.**

**READ AND FOLLOW ALL SAFETY INSTRUCTIONS!**  
**SAVE THESE INSTRUCTIONS AND DELIVER TO OWNER AFTER INSTALLATION**

### INSTALLATION INSTRUCTIONS

1. Turn off power at circuit breaker.
2. Install electrical box in accordance with state, local, and national electrical codes and requirements.
3. Remove lock washer and nut from the power pack.
4. Insert the chase nipple into a 1/2" knock-out.
5. Slide on the lock washer and tighten the nut to firmly secure the power pack to the junction box.
6. Wire per the installation table shown to the right following state, local, and national codes and requirements.
7. Install electrical box cover plate before restoring power.
8. Interconnect unit (via RJ-45 ports) with other nLight devices in lighting zone using CAT-5e cables.

T568B standard pin/pair assignment is recommended for all CAT-5e cables.

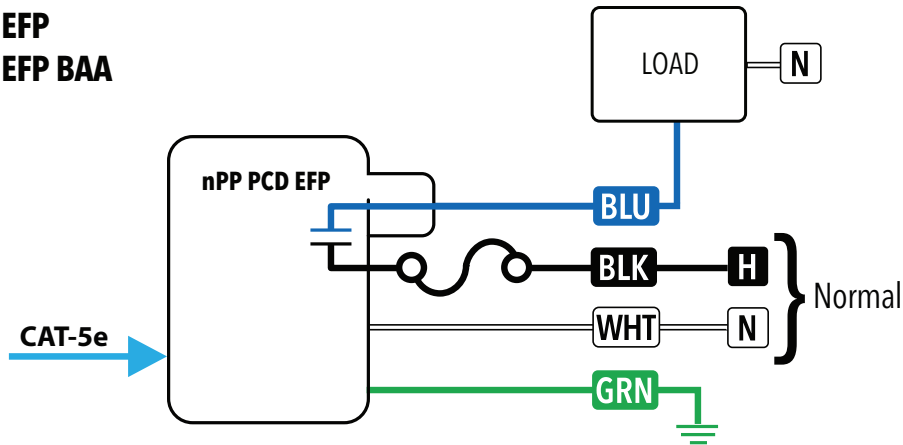
### WIRING LEGEND

Description	Wire Color
<b>All Units</b>	
Controlled Load Hot	Blue
Ground	Green
<b>Non-Emergency (Normal) Units</b>	
Main Hot (Unswitched)	Black (fused)
Main Neutral	White
<b>ER Units</b>	
Main Hot on Emergency Power (Unswitched)	Red (fused)
Main Neutral on Emergency Power	White with red stripe
Normal Power Sense Hot (Unswitched)	Black
Normal Power Sense Neutral	White



## WIRING (Do Not Wire Hot)

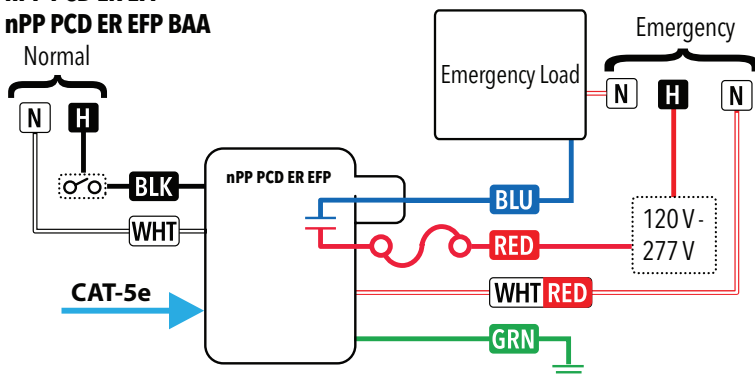
nPP PCD EFP  
nPP PCD EFP BAA



### Legend

BLK - Unswitched Hot 120-277  
WHT - Neutral  
BLU - Switched Output  
GRN - Ground

nPP PCD ER EFP  
nPP PCD ER EFP BAA



### Legend

RED - 120-277 Emergency Hot  
WHT/RED - Emergency Neutral  
BLK - Unswitched Norm. Hot  
WHT - Norm. Neutral  
BLU - Switched Output  
GRN - Ground  
 - Optional Test Switch (by others)

### UL924 Sequence of Operation: When normal power sense leads have absence of voltage

- Relay is closed, dimming is at high end trim level
- Device ignores lighting control commands



# nPP PCD

Phase Adaptive Dimming Power Pack  
FAMILY INSTRUCTIONS



## PRODUCT DIMENSIONS

