

NV-2 with ASA

NV-2 with DPS6

LED WATTAGE CHART

	80L	96L	112L	128L
700 milliamps	168w	200w	243w	265w
1050 milliamps	263w	316w	366w	409w
1200 milliamps				467w

KEY FEATURES

- Ideal High Lumen Output for Area, Site, Roadway, and Large Parking Venues such as: Corporate Parks, Shopping Malls, Event & Sports Stadiums, Roadways, and Airports
- Sleek Robust Design of the NV-2 (Weight: 42 lbs., EPA: 0.61)
- IES Distributions T2, T3, T4, and T5
- 80L, 96L, 112, and 128L LED Configurations, 168 to 467 Watts
- Amber, 2700K, 3000K, 3500K, 4000K, 5000K CCT Multichip High Power 70 & 80 CRI LEDs
- IP65 Rated Against Dust & Water Ingress, IK10 Rated for Tamper/Vandalism/Impact Protection
- Mountings available have a 1.5G to 3G Vibration Rating: Architectural Sweep Arm, Direct Pole 6" and 11" Arm, Knuckle Mount, Wall Mount, Trunnion Mount, Mast Arm Mount, and Tennis Arm
- 20kA Surge Protection (120V - 480V), 0 - 10V Programmable, Dimming LED Drivers
- LED Drivers Ambient Temp. Min (°C) is -40°C and Ambient Temp. Max (°C) ranges from 50°C to 55°C

- Silicone Micro Optics providing 96% Clarity and Heat Resistant up to 150°C
- 9 Standard Finishes, Marine Grade Finish and Custom Finish Available
- Controls Agnostic, Compatible with Most Control Systems and Sensors
- Environmentally Friendly Product Which Reduces Energy Consumption, L70 > 100,000 hours
- Easy to Install Mounting
- Cost Competitive and Short Shipping Lead Times in Days & Weeks

BUY AMERICAN

To ensure the latest BAA/TAA/BABA Standards are being met, please select BAA, TAA, or BABA in the options section. Please contact the factory before placing an order for any NLS products requesting BAA (Buy American Act), TAA (Trade American Act), or BABA (Build America, Buy America).



Project Name:

Type:

NV-2 ORDERING GUIDE

Cat#	Light Dist.	# of LEDs	Miliamps	Kelvin	Volts
NV-2 (NV-2)	Type 2 (T2)	80 (80L)	700 (7)	Amber 586-600nM (AMBER) 10, 12, 15	120-277 (UNV)
	Type 3 (T3)	96 (96L)	1050 (1)	2700K, 70 CRI (27K7) 6	347-480 (HV)
	Type 4 (T4)	112 (112L)	1200 (12) 13	2700K, 80 CRI (27K8) 1, 6	
	Type 5 (T5)	128 (128L)		3000K, 70 CRI (30K7) 6	
	Nema 3 30o Narrow Beam (N3)			3000K, 80 CRI (30K8) 1, 6	
				3500K, 80 CRI (35K8) 1	
				4000K, 70 CRI (40K7)	
				4000K, 80 CRI (40K8) 1	
				5000K, 70 CRI (50K7)	
				5000K, 80 CRI (50K8) 1	
Mounting	Color	Controls Options	Options	Lens Options	
Architectural Sweep Arm (ASA)	Bronze Textured (BRZ)	Nema 7-Pin Receptacle (PE7)	Bird Spikes (BS)	Glass Lens (GL) 7, 14, 16	
Direct Pole 6" Arm Single D180 (DPS6) 3	White Textured (WHT)	Photocell + Receptacle (PCR)	Marine Grade Finish (MGF)	HAL Lens (HAL) 8, 16	
Direct Pole 11" Arm D90, T90, T120, Quad (DPS11) 3	Smooth White Gloss (SWT)	Receptacle + Shorting Cap (PER)	Optic Plate Painted to Match Fixture (OPP)		
Knuckle Mount (KM)	Silver Metallic (SVR)	FSP-211 with Motion Sensor 9'-20' Heights (FSP-20) 4	Quick Mount Bracket (QMB)		
Wall Mount (WM)	Black Textured (BLK)	21'-40' Heights (FSP-40) 4	Retrofit Mount Bracket (RQMB)		
Trunnion Mount (TM) 2	Smooth Black Gloss (SBK)	Custom Controls Integration (CCI) 9	Round Pole Adaptor 3"-4" Pole (RPA4)		
Tennis Arm Mount (TA)	Graphite Textured (GPH)	Button Type Photocell (PC) 4	Round Pole Adaptor 5"-6" Pole (RPA5)		
Mast Arm Mount (MA)	Grey Textured (GRY)		Rotated Optic Left (ROL)		
	Green Textured (GRN)		Rotated Optic Right (ROR)		
	Hunter Green Textured (HGN)		Automotive House Side Shield (AHS)		
	Custom (CS)		House Side Shield (HSS) 5		
			Black Hardware (BH)		
			Black Optic Frame (BOF)		
			Buy American Act (BAA) 11		
			Trade Agreement Act (TAA) 11		
			Build America Buy American (BABA) 11		

NOTES:

- Consult Factory for Lead Time. Consult Factory for 90 CRI Requests.
- Standard finish is stainless steel. Can be painted to match fixture.
- For Round Pole Specify RPA4 or RPA5
- Universal Voltage 120-277
- HSS not applicable with Nema 2.
- 3000K or lower, with fixed mounting options only, must be selected to meet International Dark-Sky Association certification.
- Glass Lens: Low iron glass, fully tempered per ANSI C1047 (QCH-2201-37)
- HAL Lens: Yellow Polycarbonate Lens - less than 2% Blue Light Content
- Please contact Factory for Custom Control Integration requests (nLight, NX, WaveLinx, Crestron, DMX/RDM, Synapse, Casambi, Dali II, Avi-On, or other control systems)
- Turtle Safe
- Consult factory for all BAA/TAA/BABA requests
- Consult Factory for Lead Time
- 1200mA is only available with 128L
- 700mA is only available with Glass Lens option
- Not Available above 1000mA
- Contact Factory



701 Kingshill Place, Carson, CA 90746
Call Us Today (310) 341-2037

nlsighting.com

PRODUCT SPECIFICATIONS

ELECTRICAL

- 120-277 Volts (UNV) or 347-480 Volts (HV)
- 0-10V dimming driver
- Driver power factor at maximum load is $\geq .95$, THD maximum load is 15%
- LED Drivers Ambient Temp. Min is -40°C and Ambient Temp. Max ranges from 50°C to 55°C. Consult the factory for revalidation by providing the fixture catalog string before quoting and specifying it.
- All internal wiring UL certified for 600 VAC and 105°C
- All drivers, controls, and sensors housed in enclosed IP65 compartment
- CRI 70, 80 or 90 (Contact factory for 90 CRI)
- Color temperatures: Amber, 2700K, 3000K, 3500K, 4000K, 5000K
- Surge Protection: 20KA supplied as standard.

CONSTRUCTION

- Die Cast Aluminum
- External cooling fins
- Corrosion resistant external hardware
- One-piece silicone gasket ensures IP65 seal for electronics compartment
- One-piece Optics Plate™ mounting silicone Micro Optics
- Two-piece silicone Micro Optic system ensures IP67 level seal around each PCB
- Grade 2 Clear Anodized Optics Plate™ standard

OPTIONS

- BIRD SPIKES (BS) - Offers a practical and humane deterrent for larger bird species and provides a cost-effective long-term solution to nuisance bird infestations and protects your property.
- MARINE GRADE FINISH (MGF) - A multi-step process creating protective finishing coat against harsh environments. Chemically washed in a 5 stage cleaning system. Pre-baked, Powder coated 3-5 mils of Zinc Rich Super Durable Polyester Primer. Oven Baked. Finished Powder Coating of Super Durable Polyester Powder Coat 3-5 mil thickness.
- OPTIC PLATE PAINTED TO MATCH FIXTURE (OPP) - Optic plate is clear anodized as standard. The optic plate can be powder coated to match the finish of the fixture.
- QUICK MOUNT BRACKET (QMB) - Optional Cast Aluminum Bracket designed for quick mounting on Direct Square or Round Poles. Cleat mounts directly to pole for easily hung fixtures. Has a 2"x4" Drill Pattern.
- RETROFIT MOUNT BRACKET - Optional Cast Aluminum Bracket designed for quick mounting on Direct Square or Round Poles. Cleat mounts directly to pole for easily hung fixtures. Drill Pattern is adjustable from 2"x4" to 2"x6".
- ROUND POLE ADAPTER (RPA) - When using round poles, specify Round Pole Adapter (RPA). Specify RPA4 when installing on 3"-4" round poles, and RPA5 when installing on 5"-6" round poles.
- ROTATED OPTICS (ROL) (ROR) - Rotated optics are designed for perimeter lighting for auto dealerships.
- SHIELDS (HSS, AHS) - House Side Shield (HSS) is designed for full property line cut-off. Automotive House Side Shield (AHS) is a single-sided shield allowing partial cut-off on either side or front of luminaire.
- Black Hardware (BH) - Optional black, zinc coated steel hardware.
- Black Optic Frame (BOF) - Optional black optic frame. Standard is white.
- GLASS LENS (GL) - Low Iron Glass, fully tempered.
- High performance amber lens (hal)

CONTROL OPTIONS

- FSP-211 (FSP-X) - Passive infrared (PIR) sensor providing multi-level control based on motion/daylight contribution.
- All control parameters adjustable via wireless configuration remote storing and transmitting sensor profiles.
- FSP-20 mounting heights 9-20 feet
- FSP-40 mounting heights 21-40 feet.
- Includes 5 dimming event cycles, 0-10V dimming with motion sensing, re-programmable in the field.
- FSIR-100 commissioning remote is required to change sensor settings. Please contact factory for ordering.
- Controls Agnostic: Please contact factory for your preferred controls option. (nLight, NX, WaveLinX, Crestron, DMX/RDM, Synapse, Casambi, Dali II, or other control systems)
- NEMA 7-PIN RECEPTACLE (PE7) - An ANSI C136.41-2013 receptacle provides electrical and mechanical interconnection between photo control cell and luminaire. Dimming receptacle available two or four dimming contacts supports 0-10 VDC dimming methods or Digital Addressable Lighting Interface (DALI), providing reliable power interconnect.
- PHOTOCELL + RECEPTACLE (PCR) - 7-Pin Receptacle and Electronic Twist Lock Photocell for dusk to dawn operation.
- RECEPTACLE + SHORTING CAP (PER) - 7-Pin Receptacle and Shorting Cap.

FINISH

- 3-5 mils electrostatic powder coat.
- NLS Light's standard high-quality finishes prevent corrosion protects against and extreme environmental conditions.

WARRANTY

Five-year limited warranty for drivers and LEDs.

OPTICS

Silicone optics high thermal stability and light output provide higher powered LEDs with minimized lumen depreciation. UV stability with scratch resistance increases exterior application durability. Silicone optics do not yellow, crack or brittle over time

LISTINGS

- Certified to UL 1598
- UL 8750
- CSA C22.2 No. 250.0
- DesignLights Consortium® (DLC)
- DesignLights Consortium Premium® (DLCP)
- IP65/ IP67 Rated
- 3G Vibration Rated per ANSI C136.31-2010
- IDA Dark Sky Approved
- IK10 Rated

BUY AMERICAN OPTION

While all of the NLS Lighting products listed in this document qualify for the Buy America(n) Act of 1933, we reserve the right to change our listings without notice.

The information provided above is for general informational purposes only. We encourage you to consult legal professionals for advice particular to your projects concerning BAA, TAA, BABA or Buy America.

Additional NLS Products that meet BAA, TAA standards can be found at the following link:

<https://nslighting.com/buy-american/>



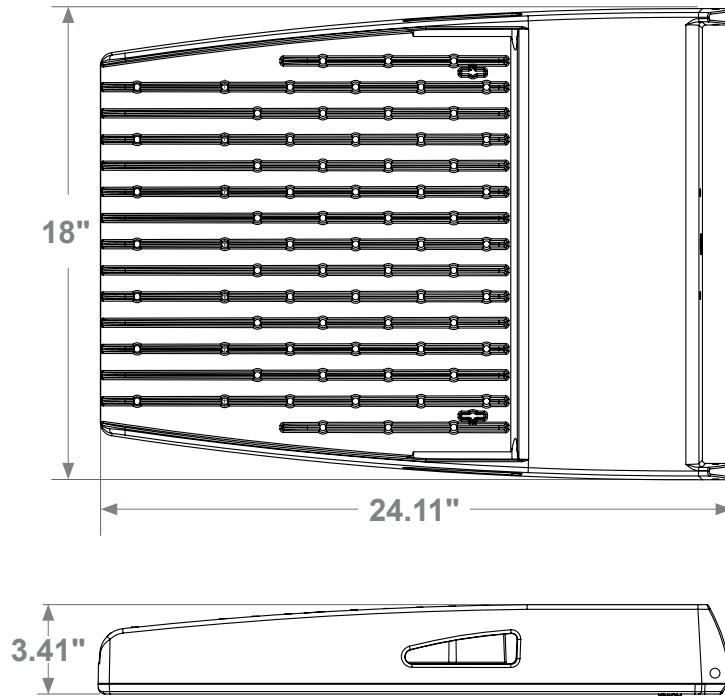
The information and specifications on this document are subject to change without any notification. All values are design, nominal, typical or prorated values when measured under internal and external laboratory conditions.



701 Kingshill Place, Carson, CA 90746
Call Us Today (310) 341-2037

nslighting.com

PRODUCT SPECIFICATIONS



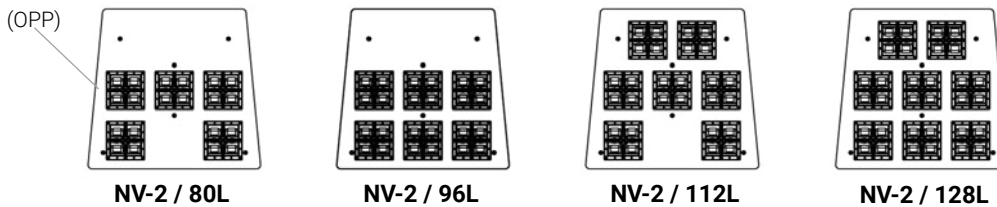
Weight: 42 lbs

EPA: .61

OPTICAL CONFIGURATIONS

Rotatable Optics (ROR) Rotated Right, (ROL) Rotated Left options available. Optics field and factory rotatable.

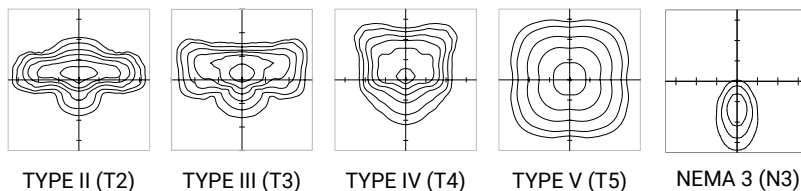
* OPTIC PLATE PAINTED TO MATCH FIXTURE FINISH (OPP)– Optic Plate standard clear anodized, Grade 2. When (OPP) specified, Optic Plate finish will match fixture finish.



OPTICS

Silicone optics high photothermal stability and light output provides higher powered LEDs with minimized lumen depreciation LED life. UV and thermal stability with scratch resistance increases exterior application durability.

IES Types



LUMENS

PART NUMBER	N3	LM/W	T2	LM/W	T3	LM/W	T4	LM/W	T4 AHS	LM/W	T5	LM/W	W
NV-2-80L-7-30K7	18816	112	19744	116	19218	113	18992	112	12096	72	19713	117	168
NV-2-80L-7-40K7	19488	116	21000	125	20328	121	20160	120	12768	76	21168	126	168
NV-2-80L-7-50K7	20160	120	21672	129	21168	126	21000	125	13440	80	21840	130	168
NV-2-80L-1-30K7	29456	112	28141	107	27352	104	30245	115	18936	72	29193	111	263
NV-2-80L-1-40K7	30508	116	30245	115	29456	112	32086	122	19988	76	31297	119	263
NV-2-80L-1-50K7	31560	120	31297	119	30508	116	33664	128	21040	80	33138	126	263
NV-2-96L-7-30K7	22400	112	23200	116	22600	113	22400	112	14400	72	23400	117	200
NV-2-96L-7-40K7	23200	116	25000	125	24200	121	24000	120	15200	76	25200	126	200
NV-2-96L-7-50K7	24000	120	25800	129	25200	126	25000	125	16000	80	26000	130	200
NV-2-96L-1-30K7	35392	112	33812	107	32864	104	36340	115	22752	72	35076	111	316
NV-2-96L-1-40K7	36656	116	36340	115	35392	112	38552	122	24016	76	37604	119	316
NV-2-96L-1-50K7	37920	120	37604	119	36656	116	40448	128	25280	80	39816	126	316
NV-2-112L-7-30K7	27216	112	28188	116	27459	113	27216	112	17496	72	28431	117	243
NV-2-112L-7-40K7	28188	116	30375	125	29403	121	29160	120	18468	76	30618	126	243
NV-2-112L-7-50K7	29160	120	31347	129	30618	126	30375	125	19440	80	31590	130	243
NV-2-112L-1-30K7	40992	112	39162	107	38064	104	42090	115	26352	72	40626	111	366
NV-2-112L-1-40K7	42456	116	42090	115	40992	112	44652	122	27816	76	43554	119	366
NV-2-112L-1-50K7	43920	120	43554	119	42456	116	46848	128	29280	80	46116	126	366
NV-2-128L-7-30K7	29680	112	30740	116	29945	113	29680	112	19080	72	31005	117	265
NV-2-128L-7-40K7	30740	116	33125	125	32065	121	31800	120	20140	76	33390	126	265
NV-2-128L-7-50K7	31800	120	34185	129	33390	126	33125	125	21200	80	34450	130	265
NV-2-128L-1-30K7	45808	112	43763	107	42536	104	47035	115	29448	72	45399	111	409
NV-2-128L-1-40K7	47444	116	47035	115	45808	112	49898	122	31084	76	48671	119	409
NV-2-128L-1-50K7	49080	120	48671	119	47445	116	52352	128	33129	81	51534	126	409
NV-2-128L-12-30K7	52352	112	50015	107	48613	104	48144	103			50483	108	467
NV-2-128L-12-40K7	54222	116	53754	115	52353	112	51884	111			54222	116	467
NV-2-128L-12-50K7	56091	120	55624	119	54222	116	55157	118			56092	120	467

3000k or warmer must be selected to meet International Dark-Sky Association certification.

BUG RATINGS

PART NUMBER	T2	T3	T4	T5
NV-2-80L-7-30K7	B3-U0-G3	B3-U0-G3	B3-U0-G3	B5-U0-G3
NV-2-80L-7-40K7	B3-U0-G3	B3-U0-G3	B3-U0-G3	B5-U0-G3
NV-2-80L-7-50K7	B3-U0-G3	B3-U0-G3	B3-U0-G3	B5-U0-G3
NV-2-80L-1-30K7	B3-U0-G3	B3-U0-G4	B3-U0-G4	B5-U0-G3
NV-2-80L-1-40K7	B3-U0-G3	B3-U0-G4	B3-U0-G4	B5-U0-G3
NV-2-80L-1-50K7	B3-U0-G4	B3-U0-G4	B3-U0-G4	B5-U0-G4
NV-2-96L-7-30K7	B3-U0-G3	B3-U0-G3	B3-U0-G3	B5-U0-G3
NV-2-96L-7-40K7	B3-U0-G3	B3-U0-G3	B3-U0-G3	B5-U0-G3
NV-2-96L-7-50K7	B3-U0-G3	B3-U0-G3	B3-U0-G4	B5-U0-G3
NV-2-96L-1-30K7	B3-U0-G4	B4-U0-G4	B3-U0-G4	B5-U0-G4
NV-2-96L-1-40K7	B3-U0-G4	B4-U0-G4	B3-U0-G4	B5-U0-G4
NV-2-96L-1-50K7	B3-U0-G4	B4-U0-G4	B3-U0-G4	B5-U0-G4
NV-2-112L-7-30K7	B3-U0-G3	B3-U0-G4	B3-U0-G4	B5-U0-G3
NV-2-112L-7-40K7	B3-U0-G3	B3-U0-G4	B3-U0-G4	B5-U0-G3
NV-2-112L-7-50K7	B3-U0-G4	B3-U0-G4	B3-U0-G4	B5-U0-G4
NV-2-112L-1-30K7	B4-U0-G4	B4-U0-G4	B4-U0-G5	B5-U0-G4
NV-2-112L-1-40K7	B4-U0-G4	B4-U0-G4	B4-U0-G5	B5-U0-G4
NV-2-112L-1-50K7	B4-U0-G4	B4-U0-G4	B4-U0-G5	B5-U0-G4
NV-2-128L-7-30K7	B3-U0-G3	B3-U0-G4	B3-U0-G4	B5-U0-G4
NV-2-128L-7-40K7	B3-U0-G3	B3-U0-G4	B3-U0-G4	B5-U0-G4
NV-2-128L-7-50K7	B3-U0-G4	B4-U0-G4	B3-U0-G4	B5-U0-G4
NV-2-128L-1-30K7	B4-U0-G4	B4-U0-G4	B4-U0-G5	B5-U0-G4
NV-2-128L-1-40K7	B4-U0-G4	B4-U0-G4	B4-U0-G5	B5-U0-G4
NV-2-128L-1-50K7	B4-U0-G4	B4-U0-G5	B4-U0-G5	B5-U0-G5
NV-2-128L-12-30K7	B4-U0-G5	B4-U0-G5	B4-U0-G5	B5-U0-G5
NV-2-128L-12-40K7	B4-U0-G5	B4-U0-G5	B4-U0-G5	B5-U0-G5
NV-2-128L-12-50K7	B4-U0-G5	B4-U0-G5	B4-U0-G5	B5-U0-G5

EPA

EPA	SGL	D90	D180	T90	T120	QD
NV-2-DP	0.89	1.22	1.78	1.96	1.91	1.96
NV-2-KM	0.69	1.18	1.38	1.85	2.68	1.85
NV-2-ASA	0.98	1.96	1.75	2.66	2.62	2.66

DPX ARM LENGTH

DPX ARM LENGTH	SGL	D90	D180	T90	T120	QD
NV-2	6.25"	11.25"	6.25"	11.25"	11.25"	11.25"



701 Kingshill Place, Carson, CA 90746
Call Us Today (310) 341-2037

nslighting.com

LUMENS HSS

PART NUMBER	T2 HSS	LM/W	T3 HSS	LM/W	T4 HSS	LM/W	W
NV-2-80L-700-27K7	12131	72	11692	70	11752	70	168
NV-2-80L-700-27K8	11359	68	10948	65	11004	65	168
NV-2-80L-700-30K8	12178	72	11738	70	11798	70	168
NV-2-80L-700-30K7	13116	78	12642	75	12706	76	168
NV-2-80L-700-35K8	12178	72	11738	70	11798	70	168
NV-2-80L-700-40K8	13116	78	12642	75	12706	76	168
NV-2-80L-700-40K7	14172	84	13659	81	13729	82	168
NV-2-80L-700-50K8	13116	78	12642	75	12706	76	168
NV-2-80L-700-50K7	14172	84	13659	81	13729	82	168
NV-2-80L-1050-27K7	18197	69	17538	67	17628	67	263
NV-2-80L-1050-27K8	17038	65	16422	62	16506	63	263
NV-2-80L-1050-30K8	18268	69	17607	67	17697	67	263
NV-2-80L-1050-30K7	19674	75	18962	72	19060	72	263
NV-2-80L-1050-35K8	18268	69	17607	67	17697	67	263
NV-2-80L-1050-40K8	19674	75	18962	72	19060	72	263
NV-2-80L-1050-40K7	21258	81	20489	78	20594	78	263
NV-2-80L-1050-50K8	19674	75	18962	72	19060	72	263
NV-2-80L-1050-50K7	21258	81	20489	78	20594	78	263
NV-2-96L-700-27K7	14557	73	14031	70	14103	71	200
NV-2-96L-700-27K8	13631	68	13137	66	13205	66	200
NV-2-96L-700-30K8	14614	73	14085	70	14157	71	200
NV-2-96L-700-30K7	15740	79	15170	76	15248	76	200
NV-2-96L-700-35K8	14614	73	14085	70	14157	71	200
NV-2-96L-700-40K8	15740	79	15170	76	15248	76	200
NV-2-96L-700-40K7	17007	85	16391	82	16475	82	200
NV-2-96L-700-50K8	15740	79	15170	76	15248	76	200
NV-2-96L-700-50K7	17007	85	16391	82	16475	82	200
NV-2-96L-1050-27K7	21836	69	21046	67	21154	67	316
NV-2-96L-1050-27K8	20446	65	19706	62	19807	63	316
NV-2-96L-1050-30K8	21921	69	21128	67	21236	67	316
NV-2-96L-1050-30K7	23609	75	22755	72	22871	72	316
NV-2-96L-1050-35K8	21921	69	21128	67	21236	67	316
NV-2-96L-1050-40K8	23609	75	22755	72	22871	72	316
NV-2-96L-1050-40K7	25510	81	24587	78	24713	78	316
NV-2-96L-1050-50K8	23609	75	22755	72	22871	72	316
NV-2-96L-1050-50K7	25510	81	24587	78	24713	78	316
NV-2-112L-700-27K7	16984	70	16369	67	16453	68	243
NV-2-112L-700-27K8	15902	65	15327	63	15405	63	243
NV-2-112L-700-30K8	17050	70	16433	68	16517	68	243
NV-2-112L-700-30K7	18363	76	17698	73	17789	73	243
NV-2-112L-700-35K8	17050	70	16433	68	16517	68	243
NV-2-112L-700-40K8	18363	76	17698	73	17789	73	243
NV-2-112L-700-40K7	19841	82	19123	79	19221	79	243
NV-2-112L-700-50K8	18363	76	17698	73	17789	73	243
NV-2-112L-700-50K7	19841	82	19123	79	19221	79	243
NV-2-112L-1050-27K7	25476	70	24554	67	24679	67	366
NV-2-112L-1050-27K8	23854	65	22990	63	23108	63	366
NV-2-112L-1050-30K8	25575	70	24649	67	24775	68	366
NV-2-112L-1050-30K7	27544	75	26547	73	26683	73	366
NV-2-112L-1050-35K8	25575	70	24649	67	24775	68	366
NV-2-112L-1050-40K8	27544	75	26547	73	26683	73	366
NV-2-112L-1050-40K7	29761	81	28684	78	28831	79	366
NV-2-112L-1050-50K8	27544	75	26547	73	26683	73	366
NV-2-112L-1050-50K7	29761	81	28684	78	28831	79	366
NV-2-128L-700-27K7	19410	73	18707	71	18803	71	265
NV-2-128L-700-27K8	18174	69	17516	66	17606	66	265
NV-2-128L-700-30K8	19486	74	18780	71	18877	71	265
NV-2-128L-700-30K7	20986	79	20226	76	20330	77	265
NV-2-128L-700-35K8	19486	74	18780	71	18877	71	265
NV-2-128L-700-40K8	20986	79	20226	76	20330	77	265
NV-2-128L-700-40K7	22675	86	21855	82	21967	83	265
NV-2-128L-700-50K8	20986	79	20226	76	20330	77	265
NV-2-128L-700-50K7	22675	86	21855	82	21967	83	265
NV-2-128L-1050-27K7	29115	71	28061	69	28205	69	409
NV-2-128L-1050-27K8	27261	67	26275	64	26409	65	409
NV-2-128L-1050-30K8	29228	71	28170	69	28315	69	409
NV-2-128L-1050-30K7	31479	77	30340	74	30495	75	409
NV-2-128L-1050-35K8	29228	71	28170	69	28315	69	409
NV-2-128L-1050-40K8	31479	77	30340	74	30495	75	409
NV-2-128L-1050-40K7	34013	83	32782	80	32950	81	409
NV-2-128L-1050-50K8	31479	77	30340	74	30495	75	409
NV-2-128L-1050-50K7	34013	83	32782	80	32950	81	409

3000K or lower, with fixed mounting options only, must be selected to meet International Dark-Sky Association certification.



701 Kingshill Place, Carson, CA 90746
Call Us Today (310) 341-2037

nlsighting.com

B.U.G RATING HSS

PART NUMBER	T2 HSS B.U.G.	T3 HSS B.U.G.	T4 HSS B.U.G.	W
NV-2-80L-700-27K7	B1-U0-G2	B1-U0-G2	B1-U0-G2	168
NV-2-80L-700-27K8	B1-U0-G2	B1-U0-G2	B1-U0-G2	168
NV-2-80L-700-30K8	B1-U0-G2	B1-U0-G2	B1-U0-G2	168
NV-2-80L-700-30K7	B1-U0-G3	B1-U0-G3	B1-U0-G3	168
NV-2-80L-700-35K8	B1-U0-G2	B1-U0-G2	B1-U0-G2	168
NV-2-80L-700-40K8	B1-U0-G2	B1-U0-G2	B1-U0-G3	168
NV-2-80L-700-40K7	B1-U0-G2	B1-U0-G2	B1-U0-G3	168
NV-2-80L-700-50K8	B1-U0-G2	B1-U0-G2	B1-U0-G3	168
NV-2-80L-700-50K7	B1-U0-G2	B1-U0-G2	B1-U0-G3	168
NV-2-80L-1050-27K7	B2-U0-G3	B1-U0-G3	B1-U0-G3	263
NV-2-80L-1050-27K8	B2-U0-G2	B1-U0-G3	B1-U0-G3	263
NV-2-80L-1050-30K8	B2-U0-G3	B1-U0-G3	B1-U0-G3	263
NV-2-80L-1050-30K7	B2-U0-G3	B1-U0-G3	B1-U0-G4	263
NV-2-80L-1050-35K8	B2-U0-G3	B1-U0-G3	B1-U0-G3	263
NV-2-80L-1050-40K8	B2-U0-G3	B1-U0-G3	B1-U0-G4	263
NV-2-80L-1050-40K7	B2-U0-G3	B1-U0-G3	B1-U0-G4	263
NV-2-80L-1050-50K8	B2-U0-G3	B1-U0-G3	B1-U0-G4	263
NV-2-80L-1050-50K7	B2-U0-G3	B1-U0-G3	B1-U0-G4	263
NV-2-96L-700-27K7	B1-U0-G2	B1-U0-G2	B1-U0-G3	200
NV-2-96L-700-27K8	B1-U0-G2	B1-U0-G2	B1-U0-G3	200
NV-2-96L-700-30K8	B1-U0-G2	B1-U0-G2	B1-U0-G3	200
NV-2-96L-700-30K7	B1-U0-G2	B1-U0-G3	B1-U0-G3	200
NV-2-96L-700-35K8	B1-U0-G2	B1-U0-G2	B1-U0-G3	200
NV-2-96L-700-40K8	B1-U0-G2	B1-U0-G3	B1-U0-G3	200
NV-2-96L-700-40K7	B2-U0-G2	B1-U0-G3	B1-U0-G3	200
NV-2-96L-700-50K8	B1-U0-G2	B1-U0-G3	B1-U0-G3	200
NV-2-96L-700-50K7	B2-U0-G2	B1-U0-G3	B1-U0-G3	200
NV-2-96L-1050-27K7	B2-U0-G3	B1-U0-G3	B1-U0-G4	316
NV-2-96L-1050-27K8	B2-U0-G3	B1-U0-G3	B1-U0-G4	316
NV-2-96L-1050-30K8	B2-U0-G3	B1-U0-G3	B1-U0-G4	316
NV-2-96L-1050-30K7	B2-U0-G3	B1-U0-G4	B2-U0-G4	316
NV-2-96L-1050-35K8	B2-U0-G3	B1-U0-G3	B1-U0-G4	316
NV-2-96L-1050-40K8	B2-U0-G3	B1-U0-G4	B2-U0-G4	316
NV-2-96L-1050-40K7	B2-U0-G3	B1-U0-G4	B2-U0-G4	316
NV-2-96L-1050-50K8	B2-U0-G3	B1-U0-G4	B2-U0-G4	316
NV-2-96L-1050-50K7	B2-U0-G3	B1-U0-G4	B2-U0-G4	316
NV-2-112L-700-27K7	B2-U0-G2	B1-U0-G3	B1-U0-G3	243
NV-2-112L-700-27K8	B2-U0-G2	B1-U0-G3	B1-U0-G3	243
NV-2-112L-700-30K8	B2-U0-G2	B1-U0-G3	B1-U0-G3	243
NV-2-112L-700-30K7	B2-U0-G3	B1-U0-G3	B1-U0-G3	243
NV-2-112L-700-35K8	B2-U0-G2	B1-U0-G3	B1-U0-G3	243
NV-2-112L-700-40K8	B2-U0-G3	B1-U0-G3	B1-U0-G3	243
NV-2-112L-700-40K7	B2-U0-G3	B1-U0-G3	B1-U0-G4	243
NV-2-112L-700-50K8	B2-U0-G3	B1-U0-G3	B1-U0-G3	243
NV-2-112L-700-50K7	B2-U0-G3	B1-U0-G3	B1-U0-G4	243
NV-2-112L-1050-27K7	B2-U0-G3	B1-U0-G4	B2-U0-G4	366
NV-2-112L-1050-27K8	B2-U0-G3	B1-U0-G4	B2-U0-G4	366
NV-2-112L-1050-30K8	B2-U0-G3	B1-U0-G4	B2-U0-G4	366
NV-2-112L-1050-30K7	B2-U0-G4	B1-U0-G4	B2-U0-G4	366
NV-2-112L-1050-35K8	B2-U0-G3	B1-U0-G4	B2-U0-G4	366
NV-2-112L-1050-40K8	B2-U0-G4	B1-U0-G4	B2-U0-G4	366
NV-2-112L-1050-40K7	B2-U0-G4	B2-U0-G4	B2-U0-G4	366
NV-2-112L-1050-50K8	B2-U0-G4	B1-U0-G4	B2-U0-G4	366
NV-2-112L-1050-50K7	B2-U0-G4	B2-U0-G4	B2-U0-G4	366
NV-2-128L-700-27K7	B2-U0-G3	B1-U0-G3	B1-U0-G3	265
NV-2-128L-700-27K8	B2-U0-G3	B1-U0-G3	B1-U0-G3	265
NV-2-128L-700-30K8	B2-U0-G3	B1-U0-G3	B1-U0-G3	265
NV-2-128L-700-30K7	B2-U0-G3	B1-U0-G3	B1-U0-G4	265
NV-2-128L-700-35K8	B2-U0-G3	B1-U0-G3	B1-U0-G3	265
NV-2-128L-700-40K8	B2-U0-G3	B1-U0-G3	B1-U0-G4	265
NV-2-128L-700-40K7	B2-U0-G3	B1-U0-G3	B2-U0-G4	265
NV-2-128L-700-50K8	B2-U0-G3	B1-U0-G3	B1-U0-G4	265
NV-2-128L-700-50K7	B2-U0-G3	B1-U0-G3	B2-U0-G4	265
NV-2-128L-1050-27K7	B2-U0-G4	B1-U0-G4	B2-U0-G4	409
NV-2-128L-1050-27K8	B2-U0-G4	B1-U0-G4	B2-U0-G4	409
NV-2-128L-1050-30K8	B2-U0-G4	B1-U0-G4	B2-U0-G4	409
NV-2-128L-1050-30K7	B2-U0-G4	B2-U0-G4	B2-U0-G5	409
NV-2-128L-1050-35K8	B2-U0-G4	B1-U0-G4	B2-U0-G4	409
NV-2-128L-1050-40K8	B2-U0-G4	B2-U0-G4	B2-U0-G5	409
NV-2-128L-1050-40K7	B3-U0-G4	B2-U0-G4	B2-U0-G5	409
NV-2-128L-1050-50K8	B2-U0-G4	B2-U0-G4	B2-U0-G5	409
NV-2-128L-1050-50K7	B3-U0-G4	B2-U0-G4	B2-U0-G5	409

3000K or lower, with fixed mounting options only, must be selected to meet International Dark-Sky Association certification.



701 Kingshill Place, Carson, CA 90746
Call Us Today (310) 341-2037

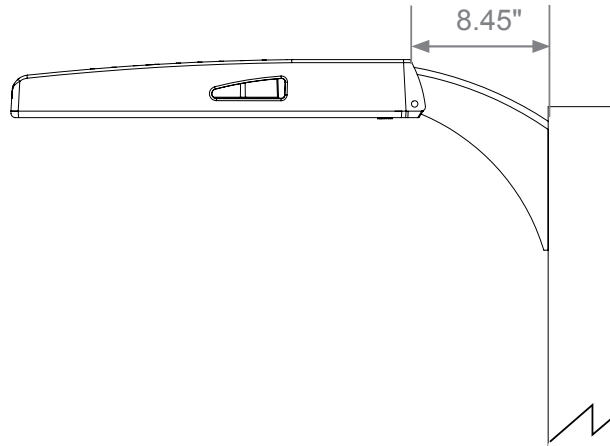
nlsighting.com

PRODUCT SPECIFICATIONS

MOUNTING OPTIONS

ARCHITECTURAL SWEEP ARM (ASA)

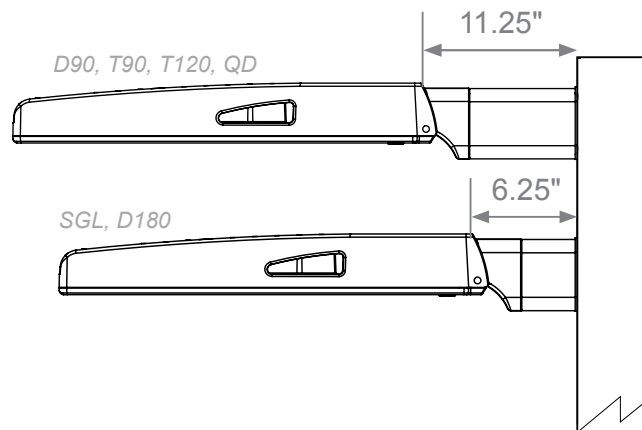
Cast Sweep Arm includes (as standard)
Internal Quick Mount Bracket.



DIRECT POLE (DP)

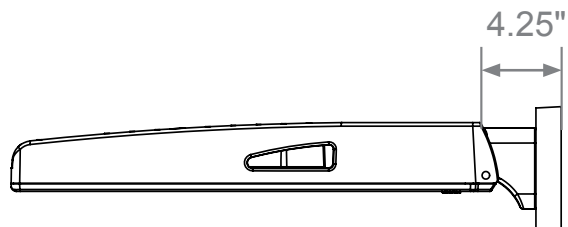
Standard mounting arm is extruded
aluminum in lengths of 6.25" and 11.25".

**Arm lengths may vary depending on configuration*



WALL MOUNT (WM)

Cast Aluminum Plate for direct wall mount.
3" extruded aluminum arm mounts directly
to a cast wall mount box.



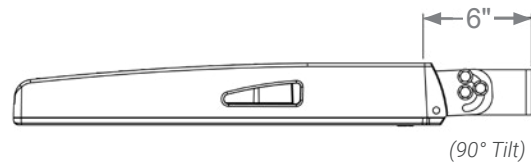
PRODUCT SPECIFICATIONS

MOUNTING OPTIONS

TRUNNION MOUNT (TM)

Steel, bolt-on-mounting for adjustable installation with a maximum uplift of 90 degrees.

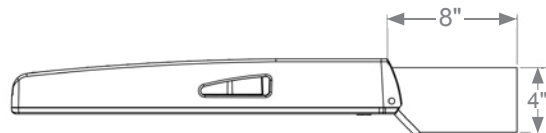
**Unpainted stainless steel is standard*



TENNIS ARM (TA)

Steel fitter slips over 3.5" x 1.5" rectangular arm.

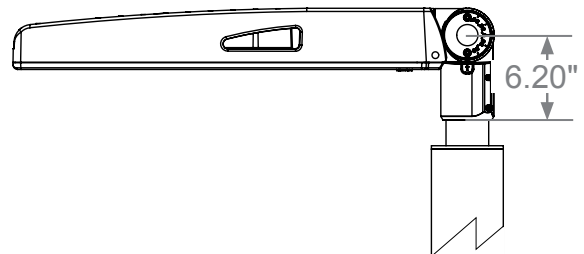
**See Tennis Arm Spec Sheet for details*



KNUCKLE MOUNT (KM)

Die Cast Knuckle great for adjustable installation on 2-3/8" OD vertical or horizontal tenon.

- Max Up-tilt of 90 degrees
- Adjustable in 6 degree increments



MAST ARM MOUNT (MA)

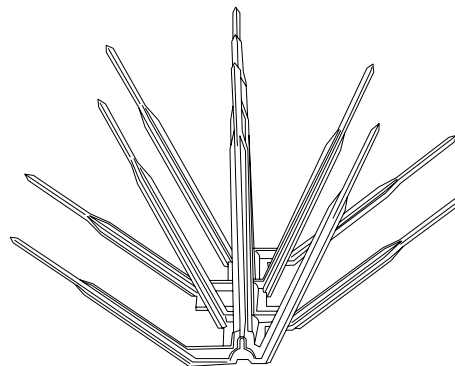
Mast Arm Fitter slips over 2-3/8" OD tenon.



PRODUCT SPECIFICATIONS

BIRD SPIKES (BS)

Bird Spikes offers effective and humane deterrent for larger bird species and provides cost-effective long-term solution to nuisance bird infestations and protect your property.



MARINE GRADE FINISH (MGF)

The **(MGF)** is a multi step process. Chemically washed in a 5 stage cleaning system. Pre-baked. Powder coated 3-5 mils of Zinc Rich Super Durable Polyester Primer. Oven Baked. Finished Powder Coating of Super Durable Polyester Powder Coat 3-5 mil thickness.



Powder Coat Finish

3-5 mil Powder Coat

Primer Layer

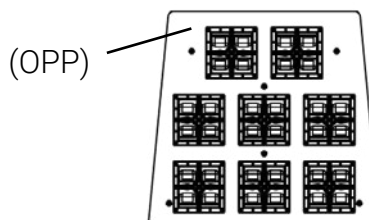
3-5 mil Zinc Rich Super Durable Polyester Primer

Prepared Casting

Chemically washed in multi Step 5 stage cleaning process

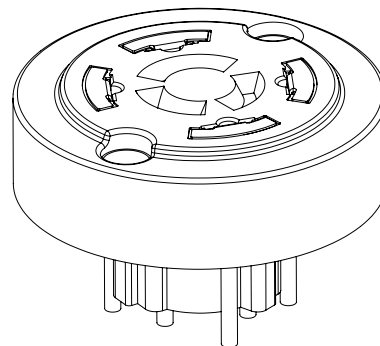
OPTIC PLATE PAINTED TO MATCH (OPP)

Optic plate is clear anodized as standard. The optic plate can be powder coated to match the finish of the fixture.



NEMA 7-PIN RECEPTACLE (PE7)

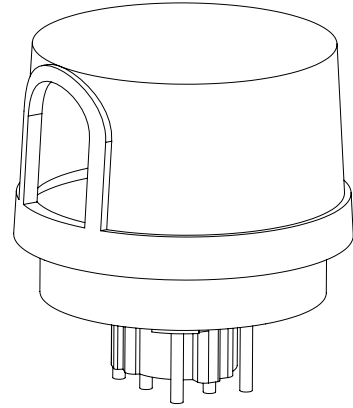
An ANSI C136.41-2013 receptacle provides electrical and mechanical interconnection between photo control cell and luminaire. Dimming receptacle available two or four dimming contacts supports 0-10 VDC dimming methods or Digital Addressable Lighting Interface (DALI), providing reliable power interconnect.



PRODUCT SPECIFICATIONS

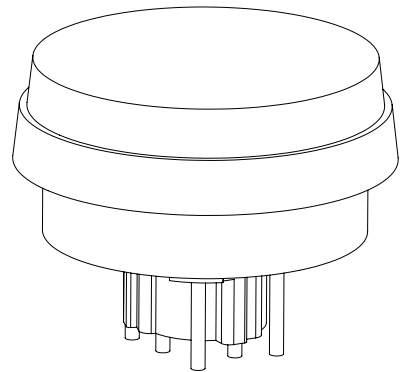
PHOTOCELL + RECEPTACLE (PCR)

7-Pin Receptacle and Electronic Twist Lock Photocell for dusk to dawn operation.



RECEPTACLE + SHORTING CAP (PER)

7-Pin Receptacle and Shorting Cap.



QUICK MOUNT BRACKET (QMB)

Optional Cast Aluminum Bracket designed for quick mounting on Direct Square or Round Poles. Cleat mounts directly to pole for easily hung fixtures. Has a 2"x4" Drill Pattern.



PRODUCT SPECIFICATIONS

RETROFIT MOUNT BRACKET (RQMB)

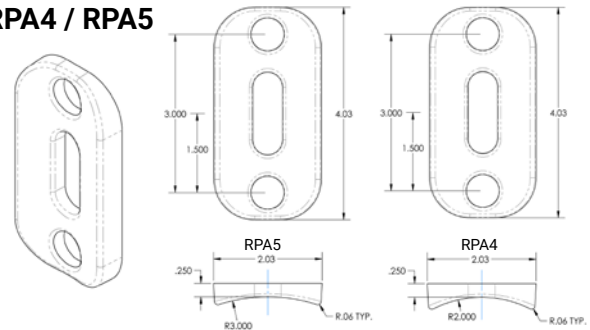
Optional Cast Aluminum Bracket designed for quick mounting on Direct Square or Round Poles. Cleat mounts directly to pole for easily hung fixtures. Drill Pattern is adjustable from 2"x4" to 2"x6".



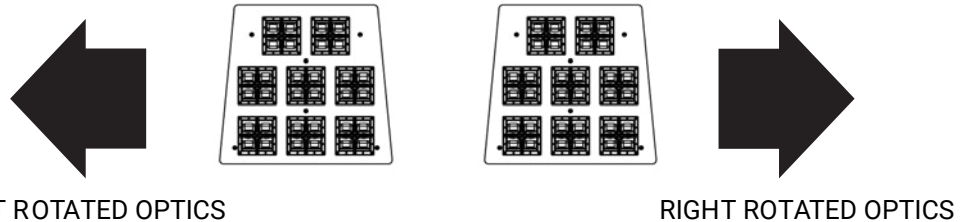
ROUND POLE ADAPTER OPTIONS (RPA4) (RPA5)

When using round poles, specify Round Pole Adapter (RPA). Specify RPA4 when installing on 3"-4" round poles, and RPA5 when installing on 5"-6" round poles.

RPA4 / RPA5



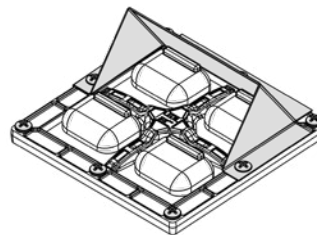
ROTATED OPTICS (ROL) (ROR)



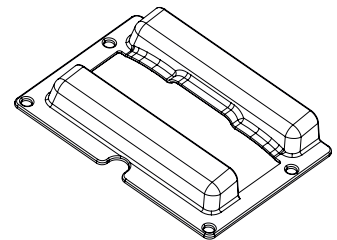
SHIELDING OPTIONS (AHS) (HSS)

SHIELDS (HSS, AHS)—House Side Shield (HSS) is designed for full property line cut-off. Automotive House Side Shield (AHS) is a single-sided shield allowing partial cut-off on either side or front of luminaire.

AUTOMOTIVE HOUSE SIDE SHIELD



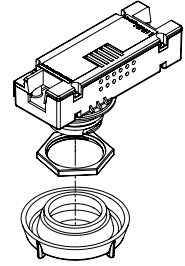
HOUSE SIDE SHIELD



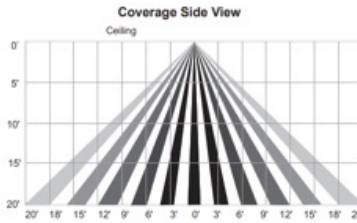
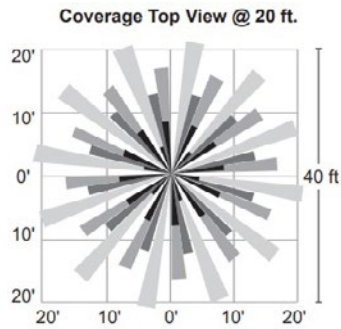
PRODUCT SPECIFICATIONS

CONTROLS

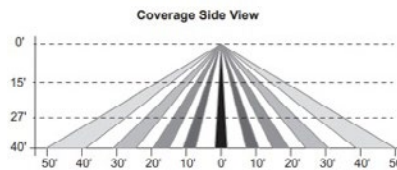
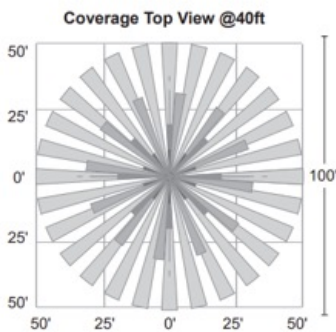
- DIMMING CONTROL (FSP)—Passive infrared (PIR) sensor providing multi-level control based on motion/daylight contribution.
 - All control parameters adjustable via wireless configuration remote storing and transmitting sensor profiles.
 - FSP-20 mounting heights 9-20 feet
 - FSP-40 mounting heights 21-40 feet.
 - Includes 5 dimming event cycles, 0-10V dimming with motion sensing, re-programmable in the field.



FSP-20

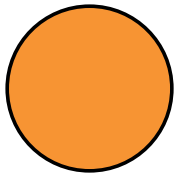


FSP-40

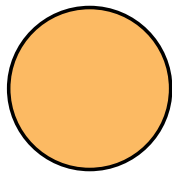


PRODUCT SPECIFICATIONS

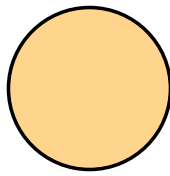
LED KELVIN RANGE



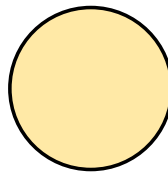
AMBER
585-600 nm



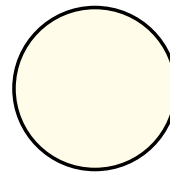
2700K 70 CRI



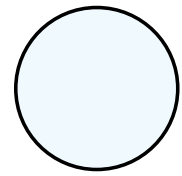
3000K 70 CRI



3500K 80 CRI



4000K 70 CRI



5000K 70 CRI

Color	Dominant or Peak Wavelength Range (nm)	
	Minimum	Maximum
Amber	585	600

BLACK HARDWARE

Optional black, zinc coated steel hardware.



BLACK OPTIC FRAME

Optional Black Optic Frame.
Standard is white.

