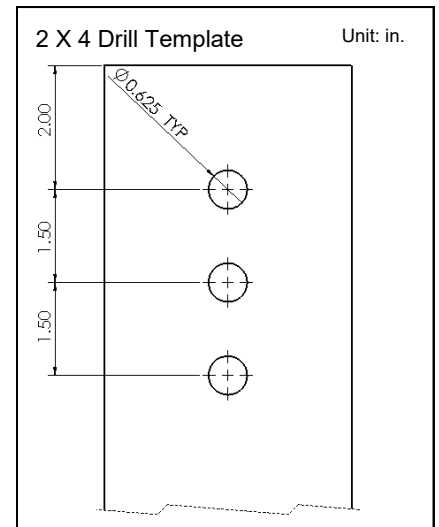
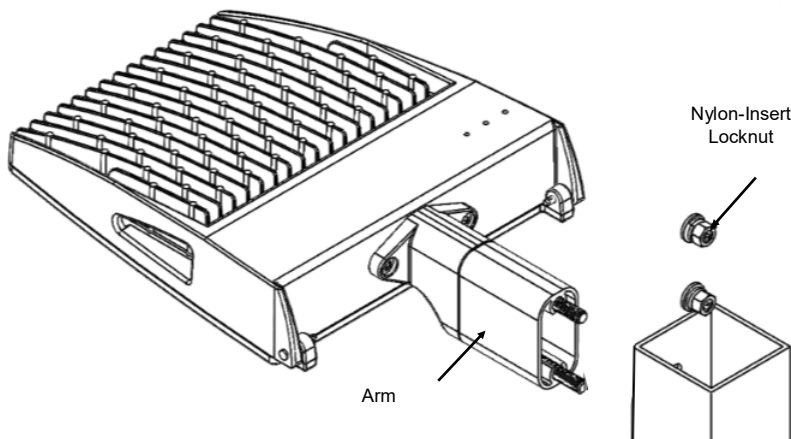
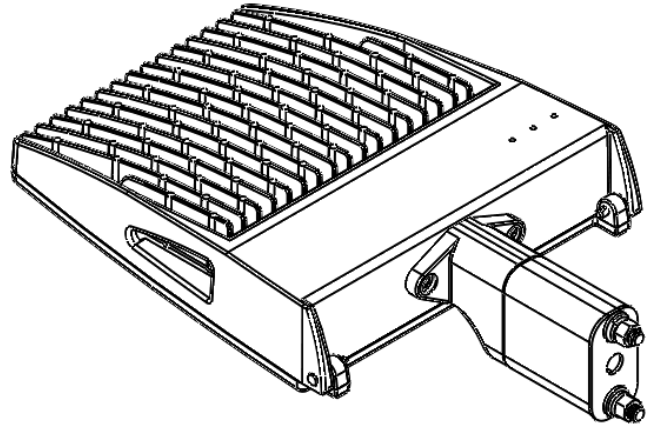


**WARNING: RISK OF FIRE OR ELECTRICAL SHOCK**

NOTE: INSTALLATION SHALL BE PERFORMED BY A LICENSED ELECTRICAL CONTRACTOR. MAINTAIN THESE WARNINGS AND INSTRUCTIONS AS A GUIDE FOR FUTURE INSTALLATION REQUIREMENTS. TO AVOID POSSIBLE RISK OF FIRE OR SHOCK, TURN OFF POWER PRIOR TO INSTALLATION, MAINTENANCE OR LAMP REPLACEMENT PREFERABLY AT THE CIRCUIT BREAKER. VERIFY THE EXISTING INPUT VOLTAGE AND SELECT MATCHING VOLTAGE ACCORDINGLY BEFORE WIRING.

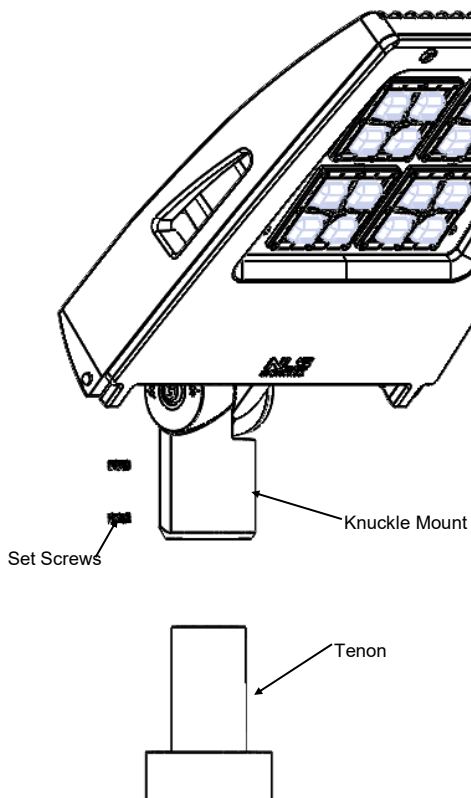
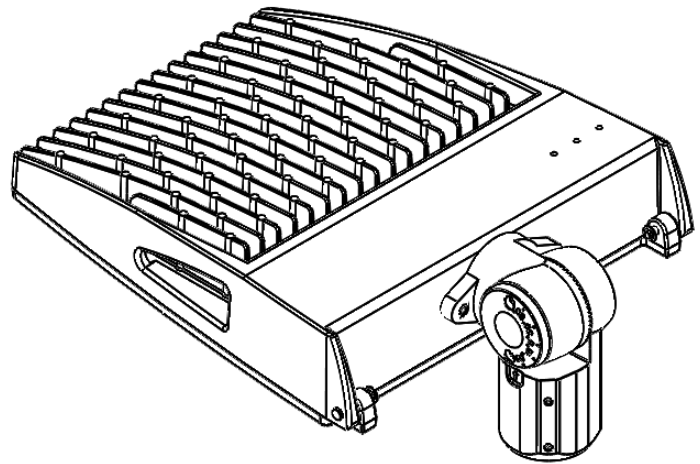
## A. Direct Pole Mount

1. Insert the 1/2-13 Threaded Rods into the Pole.
2. Secure with Nuts, Washers, and Lock Washers. Tighten Nuts with a 3/4 Socket Wrench.
3. Make supply voltage and ground connections.
4. Cap the top of the Pole after making voltage and ground connections.



## B. Knuckle Mount

1. Make supply voltage and ground connections.
2. Place slip-fitter over 2 3/8" tenon and tighten with (4) 5/16-18 Set-Screws (provided) with a 5/32 Allen Key.
3. To adjust the angle of the knuckle mount remove the two screws on the side of the cover plate. remove the cover plate. Loosen the bolt and adjust the angle of the fixture as desired.
4. Tighten the bolt and re-attach the cover plate.

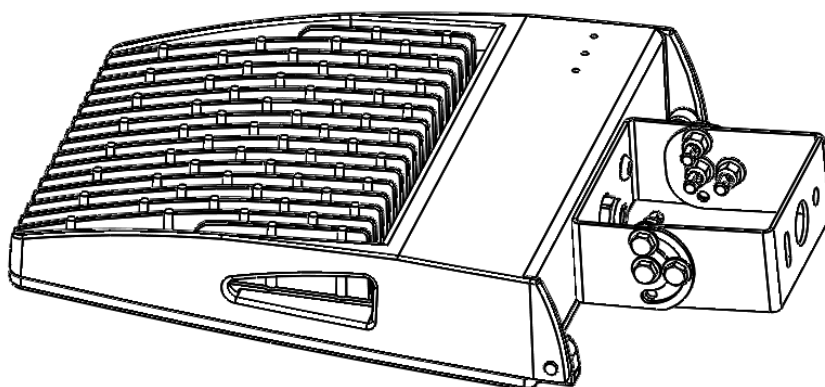


## C. Trunnion Mount

1. Using holes in mounting bracket as a guide, drill 2 holes in the surface where the luminaire is to be mounted.
2. Mount the luminaire using mounting bracket, and ensure that the luminaire is secure and attached to the surface structure.

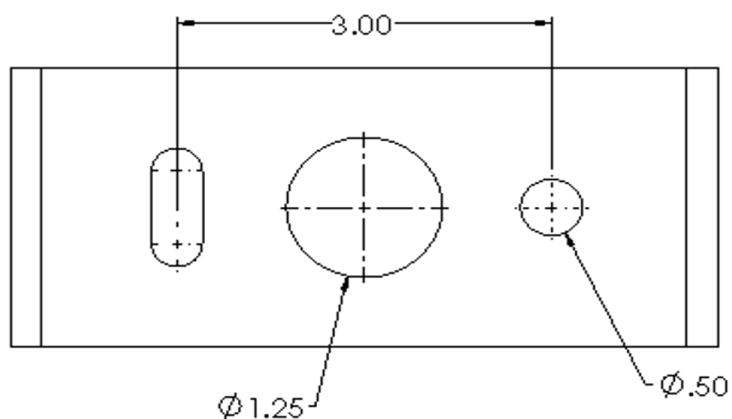
To adjust the angle of the fixture

1. Loosen both Bolts.
2. Adjust fixture to desired angle.
3. Tighten Bolts.



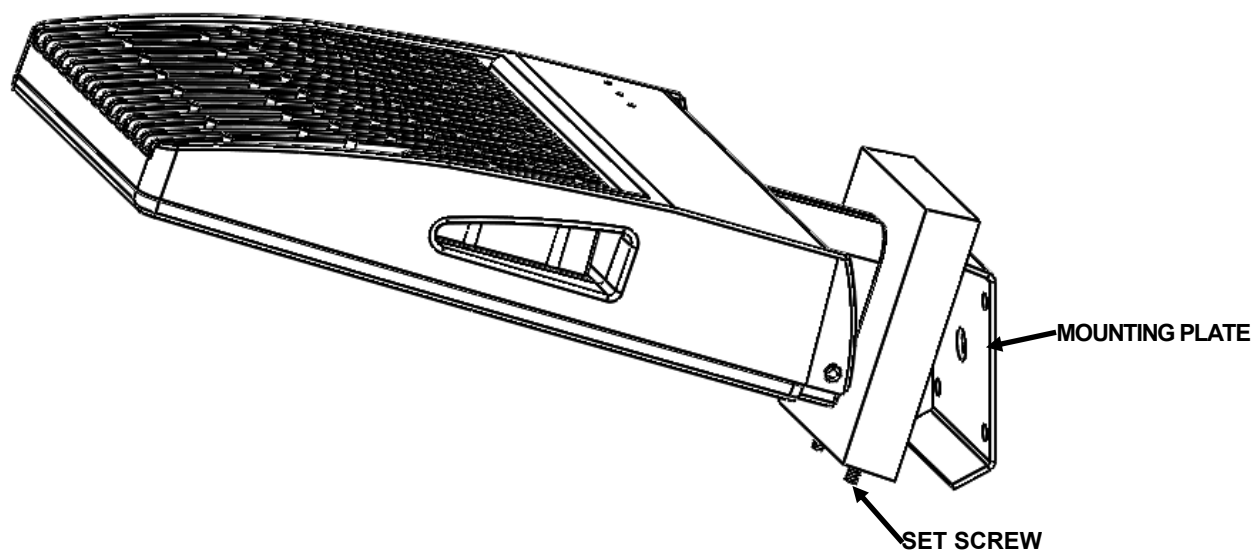
### Surface Mount Detail

Unit: in.



## D. Wall Mount

1. Secure steel bracket to the wall
2. Tilt up the fixture to mount on the steel bracket
3. Tighten the 1/4-20 set screws located at the bottom of the bracket to secure the fixture.



### WALL MOUNT DETAIL

