



rPP PCD

PHASE ADAPTIVE DIMMING POWER PACK

FAMILY INSTRUCTIONS



AcuityBrands
Expanding the boundaries of lighting™



Full warranty terms located at: www.acuitybrands.com/CustomerResources/Terms_and_conditions.aspx

WARRANTY

5-year limited warranty.

Note: Specifications subject to change without notice.

Actual performance may differ as a result of end-user environment and application.

- To reduce the risk of death, personal injury or property damage from fire, electric shock, falling parts, cuts/abrasions, and other hazards please read all warnings and instructions included with and on the fixture box and all fixture labels.
- Before installing, servicing, or performing routine maintenance upon this equipment, follow these general precautions.
- Installation and service should be performed by a qualified licensed electrician.
- Maintenance should be performed by qualified person(s) familiar with the products' construction & operation & any hazards involved. Regular maintenance programs recommended.
- To be installed to a circuit with overvoltage control to Overvoltage category Cat.III or less, minimum suppression rating 6.0 kV for a 600 V ac rms system voltage
- **DO NOT INSTALL DAMAGED PRODUCT!** This product has been properly packed so that no parts should have been damaged during transit. Inspect to confirm. Any part damaged or broken during or after assembly should be replaced.

CAUTION: RISK OF PRODUCT DAMAGE

- ✓ Electrostatic Discharge (ESD): ESD can damage product(s). Personal grounding equipment should be worn during all installation or servicing of the unit.
- ✓ Do not touch individual electrical components, as this can cause ESD and affect product performance.
- ✓ Do not stretch or use cable sets that are too short or are of insufficient length.
- ✓ Do not tamper with contacts.
- ✓ Do not modify the product.
- ✓ Do not change or alter internal wiring or installation circuitry.
- ✓ Do not use product for anything other than its intended use.

WARNING - RISK OF ELECTRIC SHOCK

- ✓ Disconnect or turn off power before installation or servicing.
- ✓ Verify that supply voltage is correct by comparing it with the product information.
- ✓ Make all electrical and grounded connections in accordance with the National Electrical Code (NEC) and any applicable local code requirements.
- ✓ All wiring connections should be capped with UL approved recognized wire connectors.
- ✓ All unused connector openings must be capped.

WARNING - RISK OF BURN or FIRE

- ✓ Do not exceed maximum wattage, ratings, or published operation conditions of product.
- ✓ Do not overload.
- ✓ Follow all manufacturer's warnings, recommendations and restrictions to ensure proper operation of product.

CAUTION - RISK OF INJURY

- ✓ Wear gloves and safety glasses at all times when installing, servicing or performing maintenance.

Contains FCC ID: 2ACDB-RMODIT3

Contains IC: 6715C-RMODIT3

IFT #: RCPNLL20-2057

Acuity Brands Lighting Inc. RMODIT3

In order to avoid the possibility of exceeding the FCC radio frequency exposure limits, human proximity to the radiator shall not be less than 20cm during normal operation.

NOTE: This equipment has been tested and found to comply with the limits for a Class B digital device, pursuant to part 15 of the FCC Rules. These limits are designed to provide reasonable protection against harmful interference in a residential installation. This equipment generates, uses and can radiate radio frequency energy and, if not installed and used in accordance with the instructions, may cause harmful interference to radio communications. However, there is no guarantee that interference will not occur in a particular installation. If this equipment does cause harmful interference to radio or television reception, which can be determined by turning the equipment off and on, the user is encouraged to try to correct the interference by one or more of the following measures:

1. Reorient or relocate the receiving antenna.
2. Increase the separation between the equipment and receiver.
3. Connect the equipment into an outlet on a circuit different from that to which the receiver is connected.
4. Consult the dealer or an experienced radio/TV technician for help.

This device complies with Part 15 of the FCC Rules. Operation is subject to the following two conditions: (1) This device may not cause harmful interference, and (2) this device must accept any interference received, including interference that may cause undesired operation.

La operación de este equipo está sujeta a las siguientes dos condiciones: (1) es posible que este equipo o dispositivo no cause interferencia perjudicial y (2) este equipo o dispositivo debe aceptar cualquier interferencia, incluyendo la que pueda causar su operación no deseada.

IMPORTANT SAFEGUARDS
WHEN USING ELECTRICAL EQUIPMENT, BASIC SAFETY PRECAUTIONS SHOULD ALWAYS BE FOLLOWED INCLUDING THE FOLLOWING:

- **DO NOT USE OUTDOORS.**
- **DO NOT MOUNT NEAR GAS OR ELECTRIC HEATERS.**
- **EQUIPMENT SHOULD BE MOUNTED IN LOCATIONS AND AT HEIGHTS WHERE IT WILL NOT READILY BE SUBJECT TO TAMPERING BY UNAUTHORIZED PERSONNEL.**
- **THE USE OF ACCESSORY EQUIPMENT NOT RECOMMENDED BY THE MANUFACTURER MAY CAUSE AN UNSAFE CONDITION.**

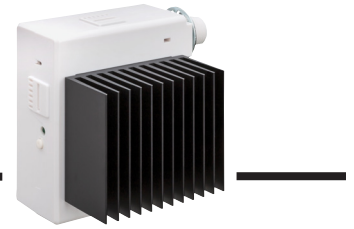
READ AND FOLLOW ALL SAFETY INSTRUCTIONS!
SAVE THESE INSTRUCTIONS AND DELIVER TO OWNER AFTER INSTALLATION

INSTALLATION INSTRUCTIONS

1. Turn off power at circuit breaker.
2. Install electrical box in accordance with state, local, and national electrical codes and requirements.
3. Remove lock washer and nut from the power pack.
4. Insert the chase nipple into a 1/2" knock-out.
5. Slide on the lock washer and tighten the nut to firmly secure the power pack to the junction box.
6. Wire per the installation table shown to the right following state, local, and national codes and requirements.
7. For Chicago Plenum models only: connect the antenna with the gasket to the inside of the sealed box with the retaining nut on the outside of the box.
8. Install electrical box cover plate before restoring power.

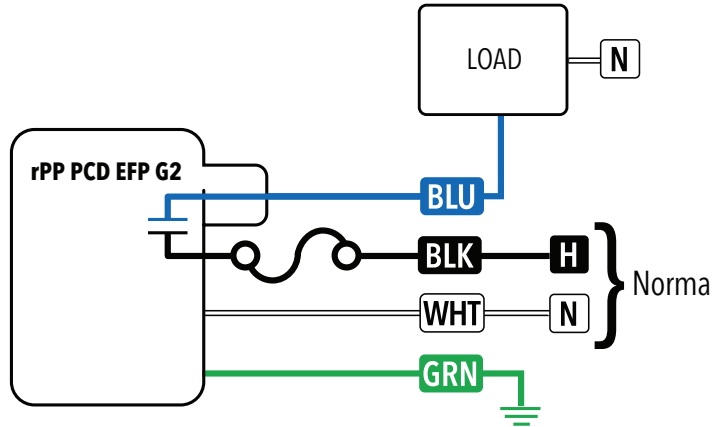
WIRING LEGEND

Description	Wire Color
All Units	
Controlled Load Hot, 120-277VAC	Blue
Ground	Green
Non-Emergency (Normal) Units	
Normal Power Hot (Unswitched), 120-277VAC	Black (fused)
Normal Power Neutral	White
EM Units	
Emergency Power Hot (Unswitched), 120-277VAC	Black (fused)
Emergency Power Neutral	White
ER Units	
Emergency Power Hot (Unswitched), 120-277VAC	Red (fused)
Emergency Power Neutral	White with red stripe
Normal Power Sense Hot (Unswitched), 120-277VAC	Black
Normal Power Sense Neutral	White



WIRING (Do Not Wire Hot)

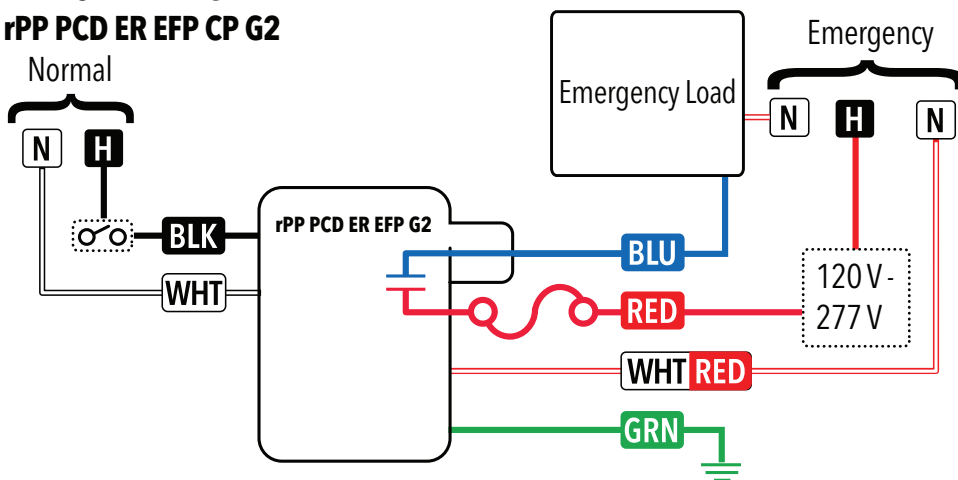
rPP PCD EFP G2 rPP PCD EFP CP G2



Legend

- BLK - Unswitched Hot 120-277
- WHT - Neutral
- BLU - Switched Output
- GRN - Ground

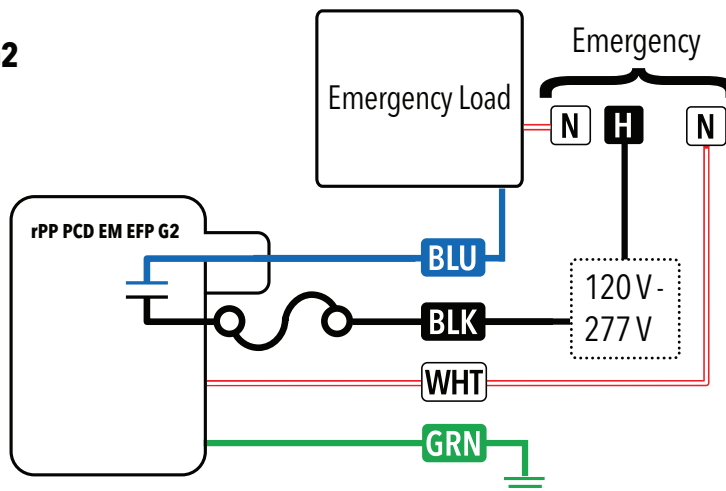
rPP PCD ER EFP G2 rPP PCD ER EFP CP G2



Legend

- RED - 120-277 Emergency Hot
- WHT/RED - Emergency Neutral
- BLK - Unswitched Norm. Hot
- WHT - Norm. Neutral
- BLU - Switched Output
- GRN - Ground
- Optional Test Switch (by others)

rPP PCD EM EFP G2 rPP PCD EM EFP CP G2



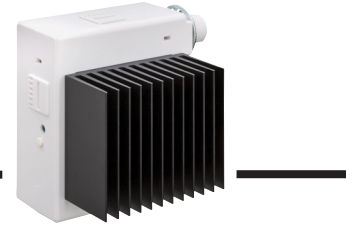
Legend

- BLK - 120-277 Emergency Hot
- WHT - Emergency Neutral
- BLU - Switched Output
- GRN - Ground



rPP PCD

PHASE ADAPTIVE DIMMING POWER PACK
FAMILY INSTRUCTIONS



PRODUCT DIMENSIONS

