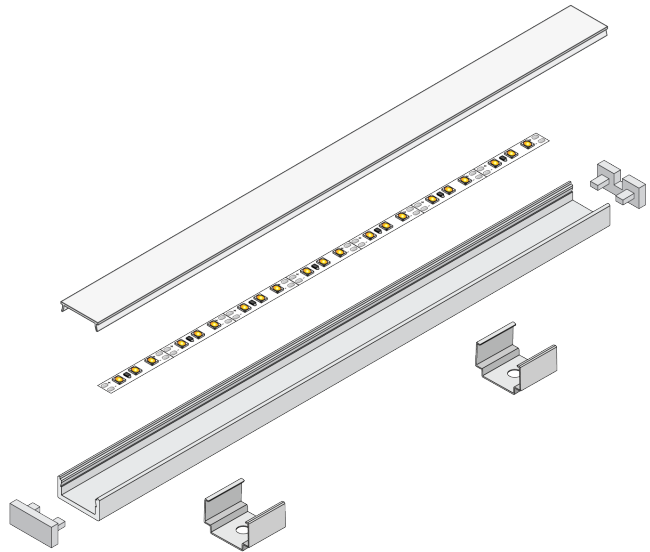


SAFETY & WARNINGS

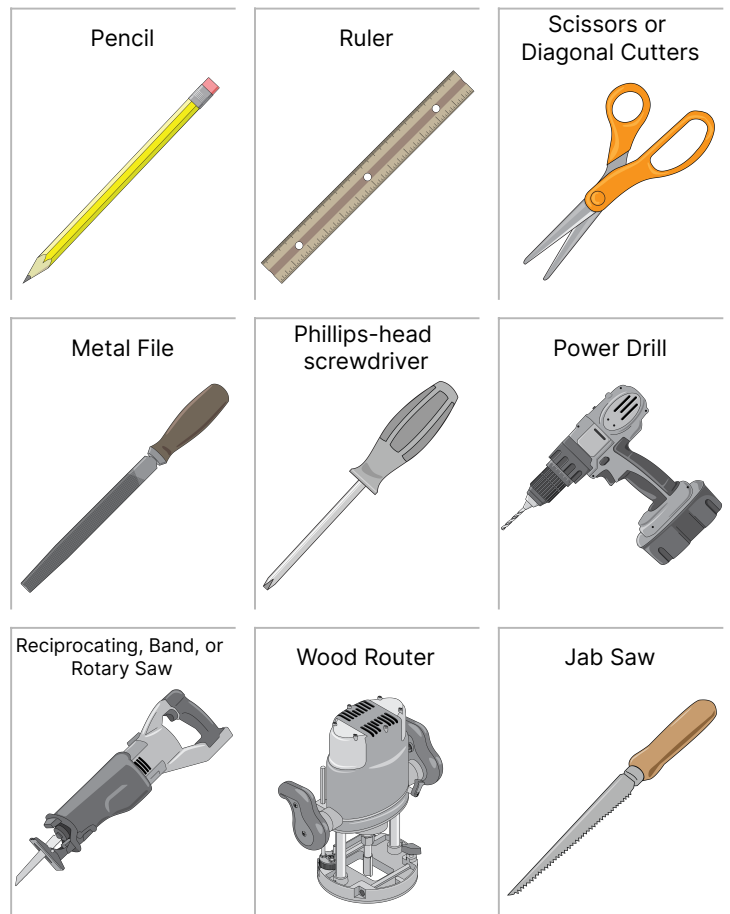
1. Install in accordance with national and local electrical code regulations.
2. This product is intended to be installed and serviced by a qualified, licensed electrician.
3. Ensure applicable wire is installed between driver, fixture, and any controls in-between. When choosing wire, factor in voltage drop, amperage rating, and type (in-wall rated, wet location rated, etc.). Inadequate wire installation could overheat wires, and cause fire.
4. Do not install in environment where LED chips are exposed to direct sunlight as damage to the phosphor will occur.
5. Do not install in environment where excessive heat may exist (ex. close proximity to fireplace, etc.) See Ambient Temperature ratings
6. Do not install indoor LED tape light products in outdoor / wet location environments. Only wet location tape light models are rated for outdoor / wet locations.
7. Do not modify product beyond instructions or warranty will be void.
8. Tape light must be handled with care. Excessive handling, bending, and pressure may damage the product, voiding the warranty.
9. Actual color may vary from what is pictured on this sheet and other print materials due to the limitations of photographic processes.
10. We reserve the right to modify and improve the design of our fixtures without prior notice. We cannot guarantee to match existing installed fixtures for subsequent orders or replacements in regards to product appearance, CCT, or lumen output.



Contents

| | |
|---|-------|
| Step 1. Determine Tape Light & Channel Length | pg. 2 |
| Step 2. Cut Channel and Cover | pg. 2 |
| Step 3. Clean Channel and Adhere Tape Light | pg. 2 |
| Step 4. Assemble Fixture | pg. 3 |
| Step 5a. Mounting (Mounting Clips) | pg. 3 |
| Step 5b. Mounting (Direct Mounting) | pg. 4 |
| Step 5c. Mounting (Millwork / Recessed) | pg. 4 |
| Channel Dimensions | pg. 7 |

Tools For Install



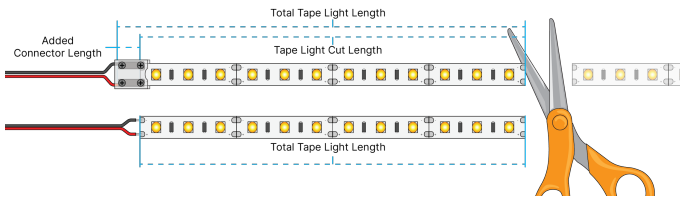
TEST CONNECTION

Prior to assembling fixture, connect tape light to Class 2 LED driver and turn on power. Ensure connection is secure and system is working properly. Turn off power again before mounting. See tape light installation guide for information on powering fixture.

1. Determine Tape Light & Channel Length

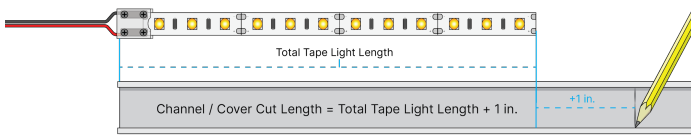
1.1 - Determine Total Tape Light Length

Cut to desired length using scissors or diagonal cutters (cut at scissors icon). If applicable, attach appropriate connectors, which will slightly extend total length.



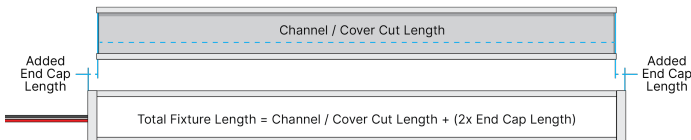
1.2 - Determine Channel / Cover Cut Length

Add 1 inch to the Total Tape Light Length to determine the Channel / Cover Cut Length. This will provide space to fit end cap harness.



1.3 - Determine Total Fixture Length

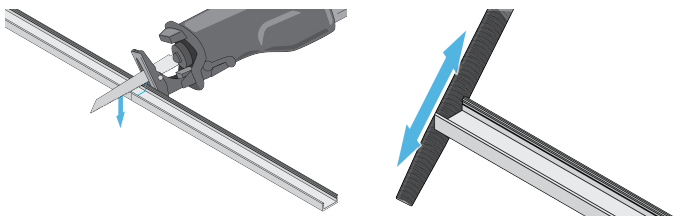
Add the total length of both end caps to the Channel / Cover Cut Length to determine the total length of the Fixture.



2. Cut Channel and Cover

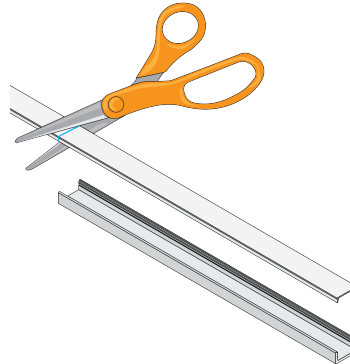
Aluminum Channels

Channels can be cut to size with a bandsaw, reciprocating saw, rotary saw, or handsaw fitted with an appropriate blade to cut metal objects. Once cut, finish edges with metal file.



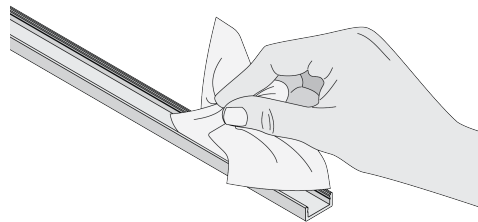
Channel Covers

Covers can be cut to size with heavy duty scissors, diagonal cutters, or a saw.

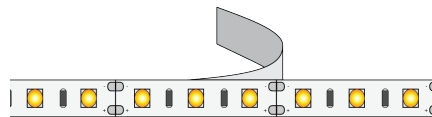


3. Clean Channel and Adhere Tape Light

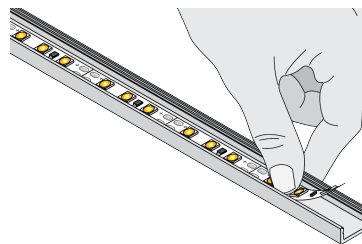
3.1 - Run an alcohol wipe along the inside of the channel to remove any dust or debris. Wipe with dry towel then let dry.



3.2 - Peel off adhesive backing from Tape Light



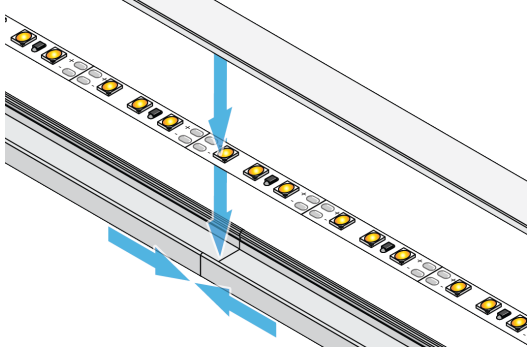
3.3 - Press Tape Light gently but firmly against channel, taking care not to press directly on LEDs.



4. Assemble Fixture

4.1 - Bridge Channels

To bridge between two channels, lay channels end-to-end, then place cover over gap to keep ends flush.

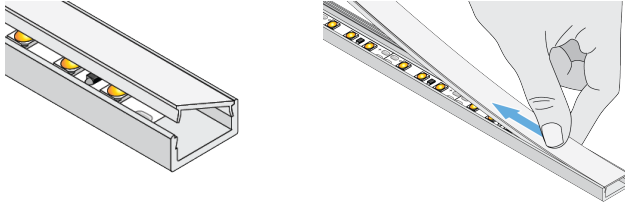


4.2 - Insert Cover

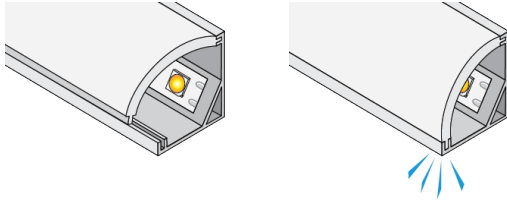
Fasten cover by firmly pressing one edge into channel, then the other.

Continue pressing in lens along channel until fully seated.

Flat Channel Cover

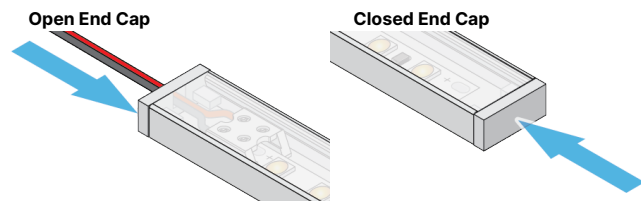


Angled Channel Cover



4.3 - Connect End Caps

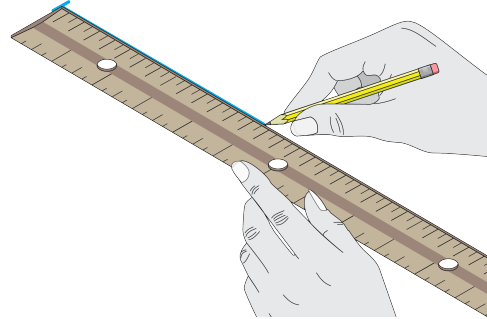
Attach end caps and adhere with adhesive or glue if desired.



5a. Mounting (Mounting Clips)

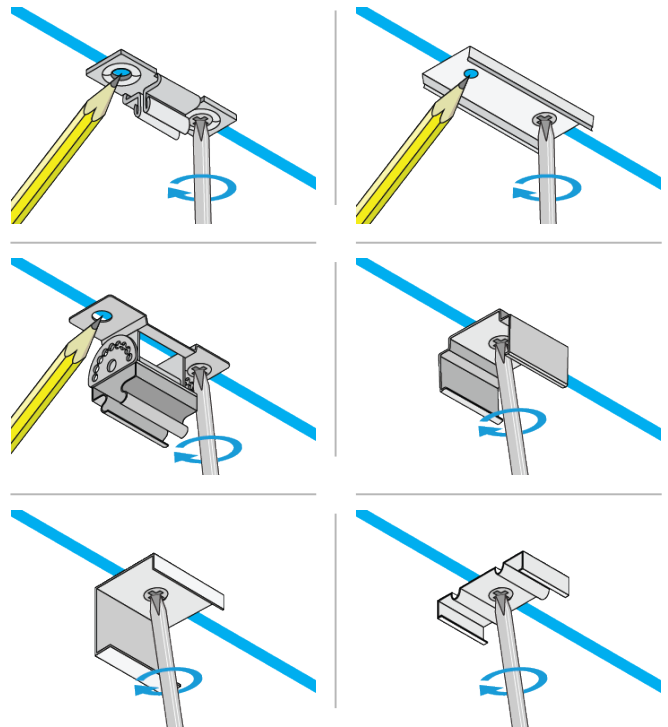
5a.1 - Draw Guide Line

Draw guide line with ruler and pencil.



5a.2 - Fasten Mounting Clips

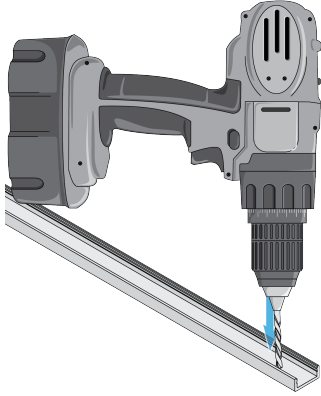
Mark holes. Use one clip for every two feet of channel. Fasten with applicable screws w/screwdriver or drill.



5b. Mounting (Direct Mounting)

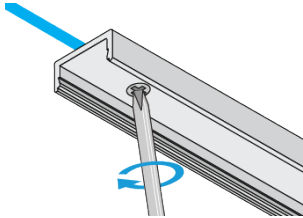
5b.1 - Drill Mounting Holes Through Channel

Using power drill fitted with an appropriate bit to drill through metal, drill mounting holes through center of channel every two feet.



5b.2 - Fasten Channel to Surface

Fasten with applicable screws w/screwdriver.

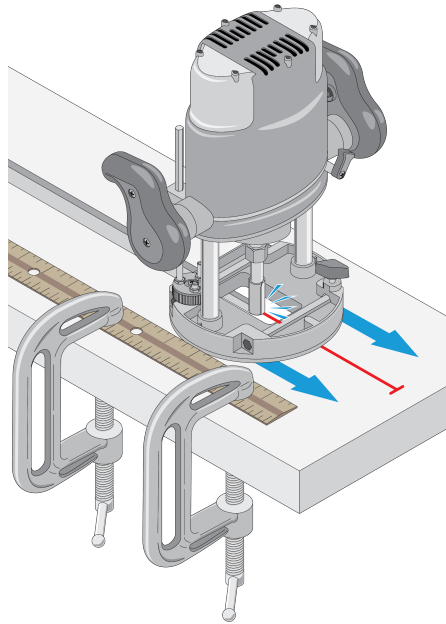


5c. Mounting (Millwork / Recessed)

5c.1 - Route Track to Recess Channel

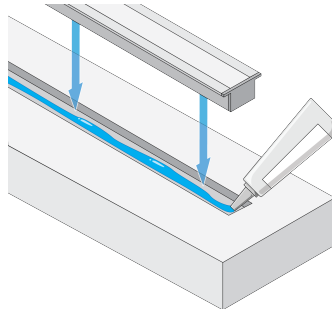
Route track to a depth equal to channel height using router and appropriate diameter router bit. (Reference Channel Dimensions on page 7)

Clamp a guiding edge to surface to route an even track.



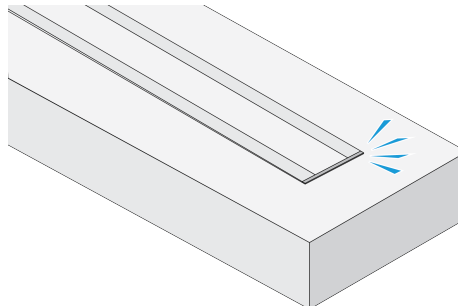
5c.2 - Prepare Track

Prep surface by removing dust and dirt. Apply an adhesive glue to the routed surface.



5c.3 - Place Channel in Track

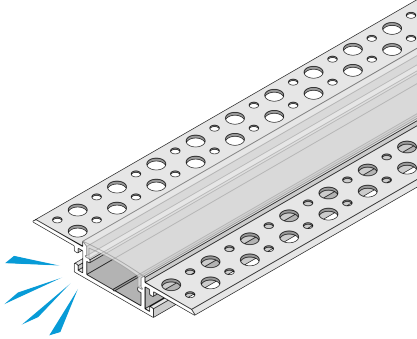
Press channel into track, apply pressure, and allow adhesive to dry. (per directions printed on adhesive)



5d. Mounting (Mud-In)

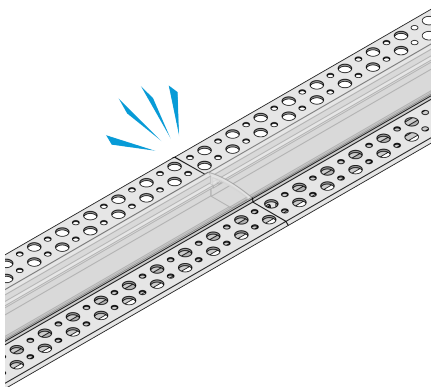
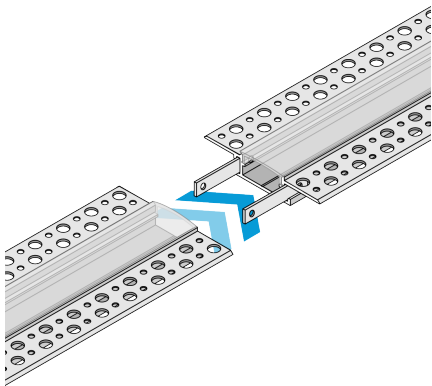
5d.1 - Insert Cover

Fasten cover by firmly pressing one edge into channel, then the other. Continue pressing in lens along channel until fully seated.

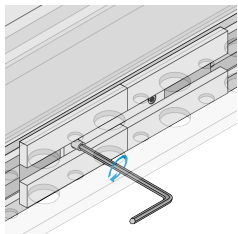


5d.2 - Assembly Option - Extension

Place extension pieces into each side of channel, then slide both channels end-to-end.

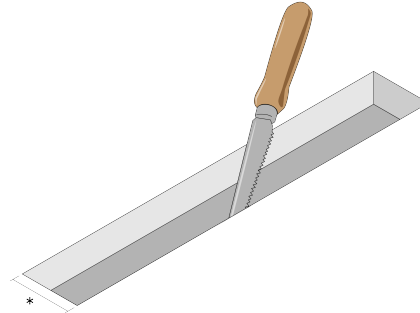


Using hex key, fasten extension pieces to channels.



5d.3 - Cut Channel Mount Area

Cut channel mount area into surface matching the length and width* of channel. Allow for channel wings to rest on outside of area.



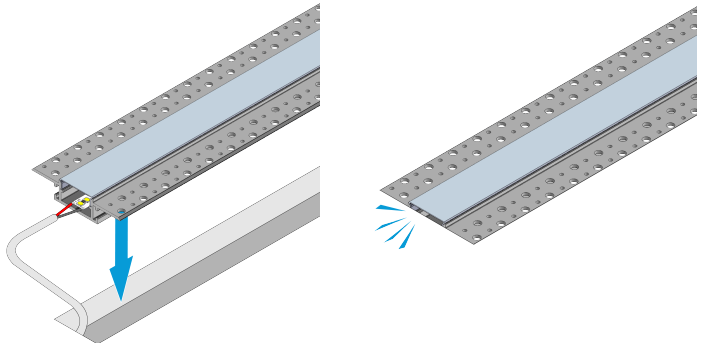
*Channel width varies between models.

1-Inch Mud-In Channel: 1.19 in.

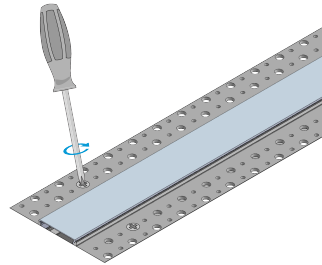
2-Inch Mud-In Channel: 1.97 in.

5d.4 - Mount Channel

Thread lead wire into wall through back of channel mounting area, then insert channel.

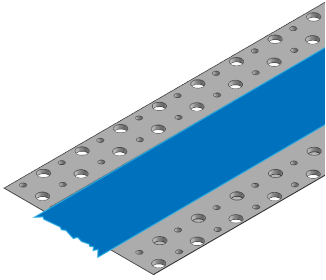


Optional: For added stability, you may fasten channel to surface using screws.

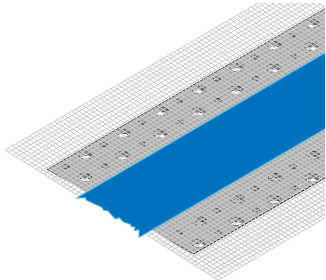


5d.5 - Mud-In Channel

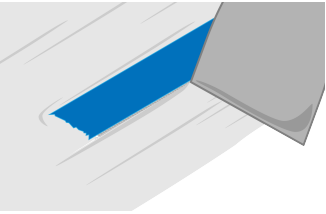
Cover center of channel with painters tape.



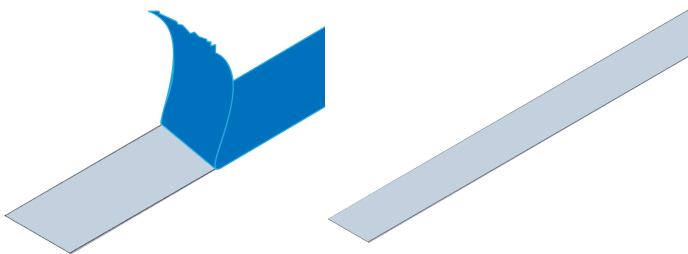
Cover wings of channel with drywall tape.



Cover wings of channel with drywall mud.



Once mud is dry, remove painters tape.



Channel Dimensions

| | | | | | | |
|---|---|--|---|--|---|---|
| <p>A1</p> <p>Height (H): 0.81 in. Width (W): 0.87 in. Interior Depth (ID): 0.45 in. Interior Width (IW): 0.79 in.</p> | <p>A2</p> <p>Height (H): 0.55 in. Width (W): 0.63 in. Interior Depth (ID): 0.33 in. Interior Width (IW): 0.49 in.</p> | <p>A3</p> <p>Height (H): 0.39 in. Width (W): 0.63 in. Interior Depth (ID): 0.33 in. Interior Width (IW): 0.49 in.</p> | <p>S1</p> <p>Height (H): 0.31 in. Width (W): 0.67 in. Interior Depth (ID): 0.25 in. Interior Width (IW): 0.58 in.</p> | <p>S2</p> <p>Height (H): 0.57 in. Width (W): 0.74 in. Interior Depth (ID): 0.34 in. Interior Width (IW): 0.63 in.</p> | <p>S45</p> <p>Height (H): 0.78 in. Width (W): 0.78 in. Interior Depth (ID): 0.54 in. Interior Width (IW): 0.6 in.</p> | <p>Slim</p> <p>Height (H): 0.38 in. Width (W): 0.82 in. Interior Depth (ID): 0.3 in. Interior Width (IW): 0.67 in.</p> |
| <p>Square</p> <p>Height (H): 0.55 in. Width (W): 0.82 in. Interior Depth (ID): 0.27 in. Interior Width (IW): 0.67 in.</p> | <p>45°</p> <p>Height (H): 0.94 in. Width (W): 0.67 in. Interior Depth (ID): 0.32 in. Interior Width (IW): 0.67 in.</p> | <p>Recessed</p> <p>Height (H): 0.49 in. Width (W): 1.03 in. Interior Depth (ID): 0.42 in. Interior Width (IW): 0.59 in. Cut Out Width (CO): 0.74 in. Recessed Wing (RW): 0.15 in.</p> | <p>20mm Square</p> <p>Height (H): 1.18 in. Width (W): 1.18 in. Interior Depth (ID): 0.84 in. Interior Width (IW): 0.84 in.</p> | <p>20mm Round</p> <p>Height (H): 1.18 in. Width (W): 1.18 in. Interior Depth (ID): 0.84 in. Interior Width (IW): 0.84 in.</p> | <p>Sconce</p> <p>Height (H): 1.1 in. Width (W): 1.21 in. Interior Depth (ID): 0.53 in. Interior Width (IW): 0.84 in.</p> | <p>45° Deco</p> <p>Height (H): 0.73 in. Width (W): 0.73 in. Interior Depth (ID): 0.42 in. Interior Width (IW): 0.47 in.</p> |
| <p>90° Sideview</p> <p>Height (H): 0.92 in. Width (W): 0.92 in. Interior Depth (ID): 0.3 in. Interior Width (IW): 0.48 in. Mounting Canal (MC): 0.25 in.</p> | <p>16mm Square</p> <p>Height (H): 0.89 in. Width (W): 0.77 in. Interior Depth (ID): 0.63 in. Interior Width (IW): 0.63 in.</p> | <p>Grazer</p> <p>Height (H): 0.69 in. Width (W): 0.62 in. Interior Depth (ID): 0.45 in. Interior Width (IW): 0.42 in. Height W/o Cover (H/C): 0.47 in.</p> | <p>Waveform</p> <p>Height (H): 0.3 in. Width (W): 0.71 in. Interior Depth (ID): 0.25 in. Interior Width (IW): 0.49 in. Height W/o Cover (H/C): 0.2 in.</p> | <p>1-inch Mud-In</p> <p>Height (H): 0.54 in. Width (W): 2.42 in. Interior Depth (ID): 0.81 in. Interior Width (IW): 0.81 in. Cut Out Width (CO): 1.19 in.</p> | <p>2-inch Mud-In</p> <p>Height (H): 0.8 in. Width (W): 3.86 in. Interior Depth (ID): 1.84 in. Interior Width (IW): 1.84 in. Cut Out Width (CO): 1.97 in.</p> | <p>Reflector</p> <p>Height (H): 2.75 in. Width (W): 1 in. Interior Depth (ID): 0.29 in. Interior Width (IW): 0.54 in. Cut Out Width (CO): 2.35 in. Recessed Wing (RW): 0.2 in.</p> |
| <p>ROD</p> <p>Height (H): 0.95 in. Width (W): 0.95 in. Interior Width (IW): 0.48 in. Height W/o Cover (H/C): 0.72 in.</p> | <p>Slim Recessed</p> <p>Height (H): 0.38 in. Width (W): 0.65 in. Interior Width (IW): 0.43 in. Cut Out Width (CO): 0.49 in. Recessed Wing (RW): 0.08 in.</p> | | | | | |