

## OVERVIEW

The nLight AIR rPOD Micro is a battery-powered wall switch that maximizes control via an ultra-thin, modern design and industry-leading range. It mounts directly to wall surfaces with options that offer conventional wall box mounting or flexible remote control in the space. The rPOD Micro installs in seconds to provide convenient control from a variety of indoor locations.

## FEATURES

- Thin profile allows for various mounting options and convenient control
- Remote version includes a removable backplate that allows it to be quickly removed from a wall or from its pedestal and carried around
- WallPod version mounts to traditional gang boxes or to wall surfaces and includes an anti-tamper feature to prevent use if removed from the wall
- 10-year battery life via a single, off-the-shelf coin cell battery
- Edge-to-edge buttons maximize control contact area and offer soft-click response to button presses
- An indicator light is discretely hidden behind the nLight AIR logo and illuminates when buttons are pressed
- Broadcasts travel 1,000 ft line-of-sight with reduced range through commercial construction and can be repeated via nLight AIR Autonomous Bridging Technology, potentially traveling thousands of feet to devices in any direction

## CUSTOM BUTTON ENGRAVING

- Custom lettering for units can be specified and ordered at: [nGrave Form](#).
- To ensure color uniformity, ordering templates facilitate specifying all buttons on a unit. Replacing single buttons is not recommended.
- Custom buttons may ship separately and require field installation.

## Warranty

Five-year limited warranty. This is the only warranty provided and no other statements in this specification sheet create any warranty of any kind. All other express and implied warranties are disclaimed. Complete warranty terms located at: [www.acuitybrands.com/support/warranty/terms-and-conditions](http://www.acuitybrands.com/support/warranty/terms-and-conditions)

**Note:** Actual performance may differ as a result of end-user environment and application. Specifications subject to change without notice.



This item is an A+ capable component, which has been designed and tested to provide out-of-the-box luminaire compatibility with simple commissioning, when included as part of an A+ Certified™ Solution.

To learn more about A+, visit [www.acuitybrands.com/aplus](http://www.acuitybrands.com/aplus).



Items marked by a shaded background qualify for the Design Select program and ship in 15 days or less. To learn more about Design Select, visit [www.acuitybrands.com/designselect](http://www.acuitybrands.com/designselect).

\*See ordering tree for details

nLight, nLight AIR and the Acuity Controls and Acuity Brands logos are trademarks of Acuity Brands. Bluetooth is a trademark of Bluetooth SIG, Inc. used by Acuity Brands under license. Apple and the Apple logo are trademarks of Apple Inc. Android and Google Play are trademarks of Google, Inc. Other trademarks are property of their respective owners.



## nLight® AIR rPOD Micro: Battery-Powered Wall Switch



**Note:** nLight® AIR devices are only compatible with other nLight AIR enabled devices and are not cross compatible with other nLight product lines at this time.

ORDERING INFORMATION

| rPODU  |                           |   |   |  |                               |  | Example: RPODU DX WH G2 J5 |  |
|--------|---------------------------|---|---|--|-------------------------------|--|----------------------------|--|
| Series | Poles                     | Dimming Control   | Mounting Option   | Color  | Generation                    | Packaging  |                            |  |
| RPODU  | [blank]<br>2P<br>2S<br>4S | [blank] On/off Control<br>DX On/off + Raise/Lower Control | [blank] <sup>1</sup> WallPod, for surface or wall box mounting, not for remote use<br><br>NMO <sup>2</sup> Remote, installs without wall plate to surface or to pedestal, can be used as a remote | WH White<br>IV Ivory<br>AL Light Almond<br>GY Gray<br>RD Red<br>BK Black | G2 Generation 2 Compatibility | [blank] Single unit<br>J5 <sup>3</sup> 5-pack, can only be ordered in multiples of 5 |                            |  |

- Notes:
1. WallPod version includes anti-theft feature that prevents functionality when handheld or removed from mounting location.
  2. NMO unit will not fit into a standard decorator wall plate opening.
  3. J5 units must be ordered in quantities of 5 because 5 units ship with each J5 box.

| RPED                           |                  |  |  |
|--------------------------------|------------------|--|--|
| Series                         | Gang             | Color  | Packaging  |
| RPED Pedestal for rPODU Remote | 1GNG Single gang | WH White<br>IV Ivory<br>AL Light Almond<br>GY Gray<br>RD Red<br>BK Black | [blank] Single unit<br>J10 10-pack, can only be ordered in multiples of 10 |

ORDERING INFORMATION

| Wall Plate - Additional or Replacement               |                   |  |   |                              |  |  |
|--|-------------------|--|---|------------------------------|--|--|
| Series   | # of Gangs        | Color  |   |                              | Packaging  |  |
| WS XPODA Wall Plates (Standard)<br>SSW Sealed Covers | 1 GNG Single Gang | WH White<br>IV Ivory<br>GY <sup>2</sup> Gray | AL <sup>2</sup> Light Almond<br>BK <sup>2</sup> Black<br>RD Red | VP <sup>2</sup> Variety Pack | [blank] Single Unit <sup>3</sup><br>M5 <sup>2</sup> 5 Pack<br>M6 <sup>1,2</sup> 6 Pack |  |

1. Available only for variety pack.
2. Not available for SSW series.
3. Single units only available for SSW series.

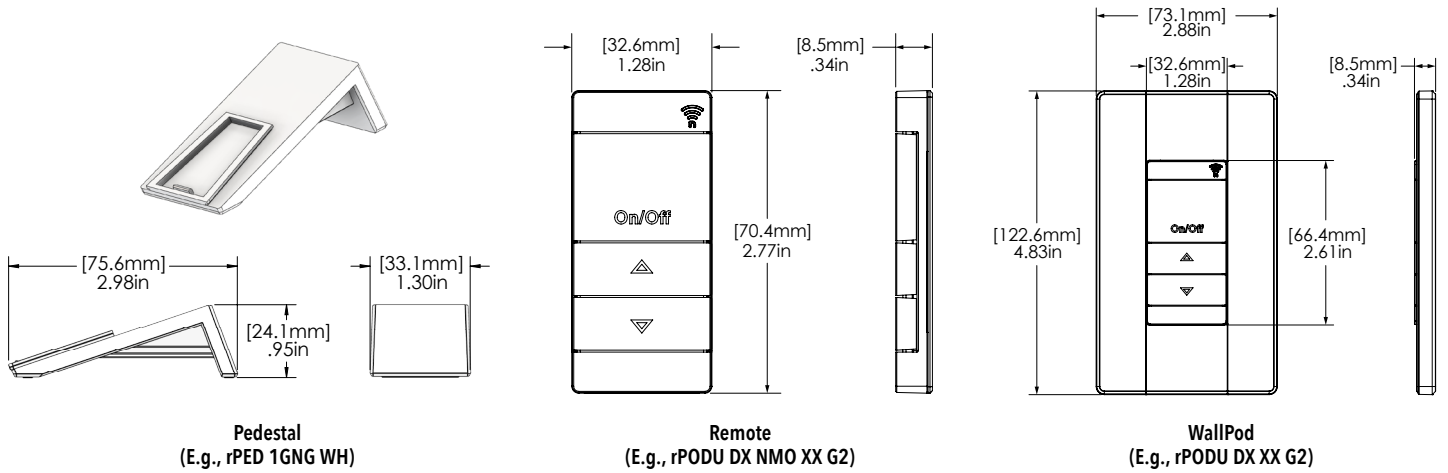
| Accessories             |  |
|-------------------------|--|
| RPODUACC GLS MNT LBL J5 | White label that conceals the back of an RPODU when mounted on glass, 5-pack |
| RPODUACC MNT TAPE J8    | Mounting adhesive strips, 8 pack   |

## SPECIFICATIONS

---

|                       |   |
|-----------------------|---|
| Dimensions            | Remote: 2.77" H x 1.28" W x 0.34" D (70.4mm x 32.6mm x 8.5mm)<br>WallPod (including wall plate): 4.83" H x 2.88" W x 0.34" D (122.6mm x 73.1mm x 8.5mm)<br>WallPod (without wall plate): 2.61" H x 1.28" W x 0.34" D (66.4mm x 32.6mm x 8.5mm)  |
| Weight                | Remote: 0.72oz<br>WallPod: 2.5oz  |
| Mounting              | Remote: Direct surface mounting using adhesive or screws, pedestal, or carried freely without mounting<br>WallPod: Gang box mounting and direct surface mounting using adhesive or screws   |
| Color                 | White, Ivory, Lt. Almond, Gray, Red, Black  |
| Operating Temperature | 32°F to 140°F (0°C to 60°C), indoor use only  |
| Relative Humidity     | Standard: 0 to 90% non-condensing   |
| Radio Frequency       | Dual Radio: 900Mhz & 2.4GHz   |
| RF Transmit Power     | 900Mhz: +15dBm; 2.4GHz: Variable  |
| Wireless Standard     | 900MHz: IEEE 802.15.4-based<br>2.4GHz: Version 4.0+ of the Bluetooth specification  |
| Wireless Range        | 900MHz: Up to 1,000 ft. (~304m) in free space/ line of sight, used for general operation<br>Minimum of 150 ft through typical construction<br>2.4GHz: Up to 60 ft. (~18m) in free space/ line of sight, used for programming  |
| Security              | Application Data Encryption: AES-128 bit<br>Mutual Entity Authentication<br>Message Confidentiality<br>Message Authentication and Replay Prevention<br>Limited Anonymity<br>Complies with California Civil Code Title 1.81.26, Security of Connected Devices, approved under Senate Bill No. 327 (2018) |
| Regulatory Compliance | FCC ID: 2ADCB-RPODU<br>IC: 6715C-RPODU<br>IFETEL: HONLRP24-06591<br>cULus (E110912)<br>RoHS   |
| Battery Type          | Single CR2032 coin cell, included   |
| Battery Life          | 10 years (CR2032 LiMnO2 battery)  |
| Programming Tool      | CLAIRITY™+ mobile app   |

## DIMENSIONS



## DEFAULT LABELING

