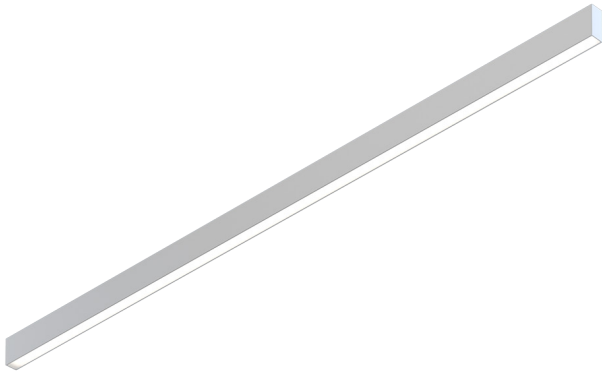


Rush direct

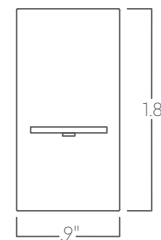


Our linear architectural luminaires offer a wide range of profiles and mounting options. Custom lengths and patterns are tailored to suit any modern space.

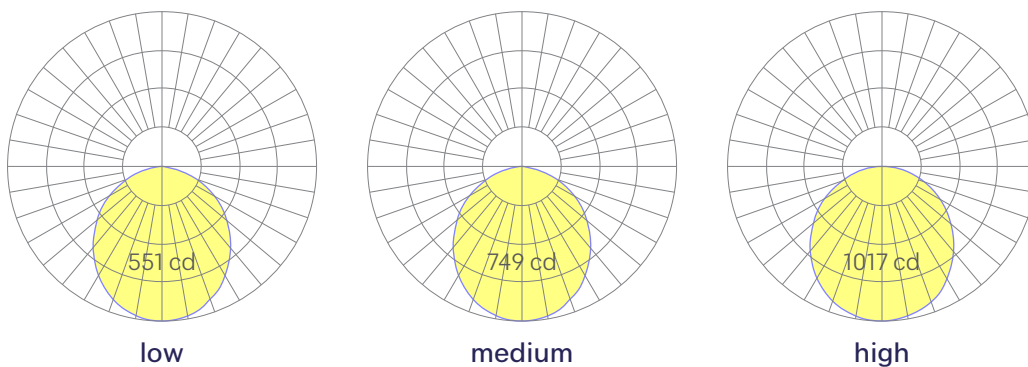
Features

- Power over aircraft cable system
- Extruded recycled aluminum housing
- Aluminum core LED boards, specifiable output
- Specifiable color temperature. CRI > 90, R9 > 50
- Custom lengths, welded patterns, and finishes available
- Specifiable dimmable drivers or PoE
- 5 Year, 50,000 hour warranty, damp location rated
- WELL Building Standard compatible [learn more](#)

Dimensions



Optics



Representative distribution and peak candela. For other options see order information or IES files [here](#).

Ordering Information

For each option group below specify one option. If you don't see your preferred option listed, contact us for [help](#).

1	Fixture ID	2	Length	3	Color Temperature	4	Output
	RUSH DN	2	2 ft	27	2700K/90 CRI	LOW	Low output
		4	4 ft	30	3000K/90 CRI	MED	Medium output
		8	8 ft	35	3500K/90 CRI	HIGH	High output
		X'-X"	Specify Length	40	4000K/90 CRI	CUST	Custom output Specify watts or lumens
		PAT	Pattern (Consult Factory)				
5	Voltage	6	Driver	7	Finish	8	Mounting
UNV	Universal (120/277V)	DB	Standard 0-10V 1%	Housing		ACP	Power over Aircraft Cable
347V	347V Available for DB driver only	DB.1%	0-10V 0.1%	W	White	AC	Aircraft Cable 50" steel cable provided. White canopies and power cord
		ELV	Reverse Phase 1% (120V only) For compatible dimmers, click here .	BLK	Black	AC3.5	3.5" canopy + Jbox adaptor Adaptor mudded in. White canopies and power cord
		TRI	Forward phase (120V only) For compatible dimmers, click here .	SLV	Silver	ACCC	Aircraft cable to Conduit Pipe Canopy Not available with ACP.
		LDE	Lutron Digital EcoSystem	CC	Custom Color See finish options here .	SM	Surface Mount
		DALI	DALI-2 Driver	CWF	Custom Wood Finish See finish options here .	WM	Wall Mount
		PoE	Power over Ethernet.	Decorative Pendant Stem		PS	Pendant Stem (12", 18", 24", 36", 48" stems) White stems, canopies and power cord
		DMX	DMX512 All DMX drivers set to default address 001 and provided in remote enclosures. Contact us for other addressing needs.	BRS	Brass	DPS	Decorative Pendant Stem (6.5" tall stem) Only available with power over aircraft cable
			All drivers provided in remote enclosures	SLV	Silver		
				W	White		
				BLK	Black		
9	Optics	10	Sensors/Controls	11	Circuit	12	Options
SD	Standard Diffuser	NA	None	NA	None	For Aircraft Cable (AC) fixtures,	
		EIS	Enlighted sensor	EMPCK	Emergency battery pack	STD	White Canopy + White Cord
		WISM	Wattstopper occupancy	EMCKT	Emergency circuit May require additional power feeds.	CAN-X	Canopy + color See finish options here
		WISD	Wattstopper daylight	DAYCKT	Daylight circuit May require additional power feeds.	SJ-BLK	Black Cord
		ACM	Acuity nLight® module only			SJ-WHT	White Cord
		ACS	Acuity nLight® (nES 7)			For Power Over Wire (ACP) fixtures,	
		ACA	Acuity nLight® AIR (rES 7)			STD	White Canopy
		CCS	Casambi module			CAN-X	Canopy + color See finish options here
		AWNRR	Lutron Athena Wireless Node Module				
		OTHER	Consult Factory				
			All options remote				

Performance

Output ¹	Watts/ft	Lumens/ft	LPW
Low	4	383	96
Medium	5	465	93
High	7	618	88

¹Based on a typically configured 90 CRI, 3500K luminaire using one driver.
Custom outputs available. Please consult factory.
For 4000K multiply by 1.05; for 3000K, 0.96; for 2700K, 0.92.

Technical Information



click [here](#) or scan QR code

Wiring diagrams, PoE and sensor details

Rush direct

Drivers & Electrical

Remote, dimmable drivers are supplied in enclosures. Our Power Over Wire system delivers power to the luminaire via the suspension cables, eliminating a separate power feed.

For remote driver box sizes, click [here](#).

Emergency Back-Up

For fixtures three-feet or longer, a 4W emergency driver may be wired to 4ft sections. 7W, 10W, and 12W drivers are also available. Emergency circuits for use with building generators are also available.

PoE (Power over Ethernet)

Compatible with virtually all PoE systems including Molex Coresync, Igor, Smartengine, Platformatics, and NuLED SPICEbox.

Consult factory for systems not listed. See [here](#) for more info.

Finishes

All luminaires are finished in high quality polyester powder coating. Our standard color is white. Any RAL color may be specified.

Weight

1 lb per foot

Optics

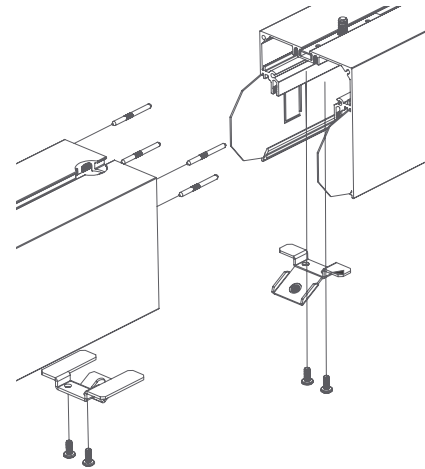
Extruded satin acrylic lenses provide excellent diffusion, high transmission, and no LED imaging. Glare-free, beam-shaping, optical cells are available for some models.

Construction

Housings are extruded premium, recycled aluminum. Individual fixtures are available up to 12' long and may be specified as nominal or precision lengths.

Joined Runs

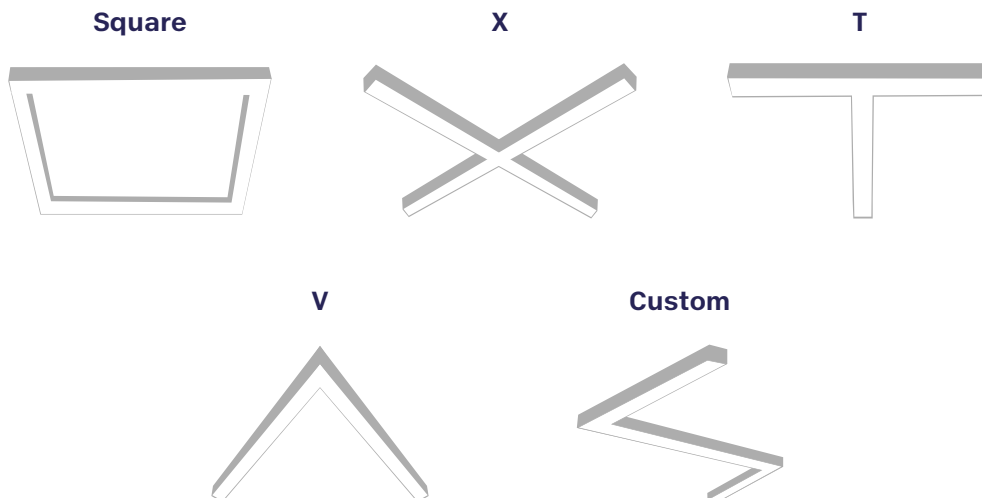
Runs of any length may be specified and are comprised of multiple, factory-engineered, joined sections. Individually specified luminaires are not field joinable.



Representative joinery. For product specific details see installation guides or submittal drawings.

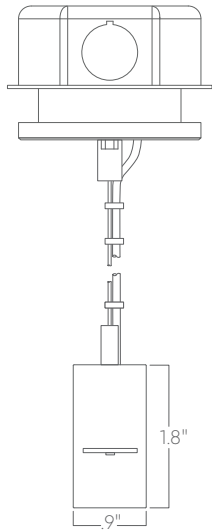
Patterns

Featuring illuminated welded corners and angles. Consult factory for custom designs and elevations.

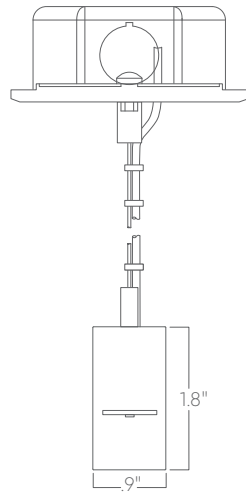


Mounting Options

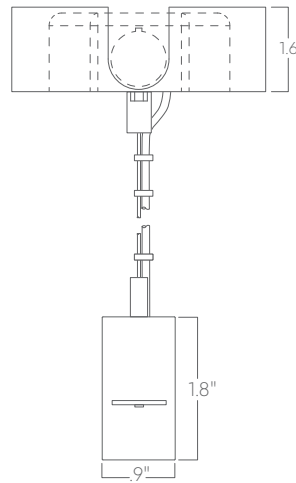
Custom mounting types and ceiling transitions available; consult factory.



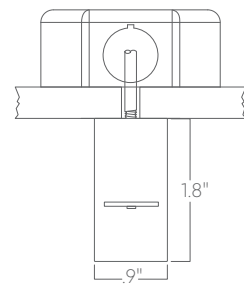
**Aircraft cable
3.5" canopy**



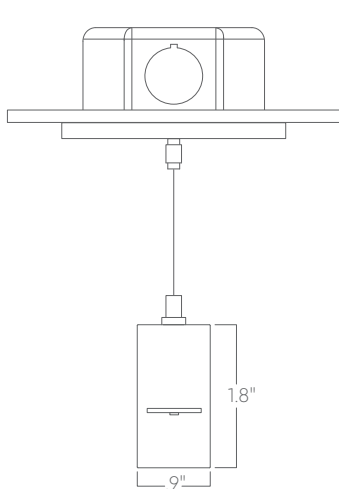
**Aircraft cable
5" canopy**



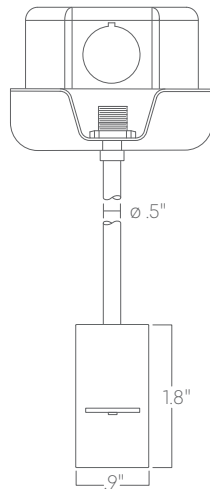
**Aircraft cable
Conduit canopy
with knockouts**



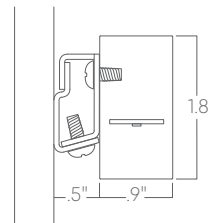
Surface mount



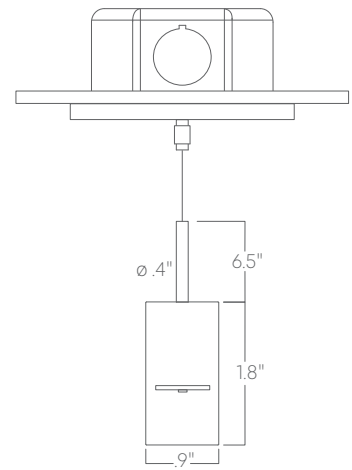
Power over aircraft cable



Pendant stem



Wall mount



Decorative Pendant Stem

Please consult factory shop drawings for suspension points.

To prevent damage to fixtures, factory designated suspension points must not be field altered.

Do not attempt installation if you do not understand the installation instructions.